

# *SERVICE MANUAL*

*RP-6000 MK6 LTD*

*RP-6000 MK6 B*

*MODEL NO.: RP-6000 MK6 LTD*

*RP-6000 MK6 B*

## *Contents*

<i>Specification</i> .....	1-2
<i>Block Diagram</i> .....	3
<i>Packing View</i> .....	4
<i>Packing View Part List</i> .....	5
<i>Point To Point Wiring Diagram</i> .....	6
<i>Exploded View</i> .....	7
<i>Exploded View Part List</i> .....	8-10
<i>Electrical Part List</i> .....	11-18
<i>Schematic Diagram</i> .....	19-22
<i>Printed Circuit Board Diagram</i> .....	23-30
<i>IC Block Diagram</i> .....	31-42
<i>Trouble Shooting</i> .....	43

## General Specification

### 1. APPLICATION:

This specification applies to the direct drive turntable unit DJ-5500P/P1

### 2. STANDARD TEST CONDITION:

2-1 Ambient Temperature 20 +/- 2 degC

2-2 Relative Humidity 65% +/- 5%

NOTE: Measurements can be carried out between 5 degC to 35 degC and 45% to 85% relative humidity.

### 3. TURNTABLE SECTION:

3-1 Type	3-speed full manual
3-2 Motor	16pole, 3phase, brushless DC motor
3-3 Driving Method	Direct drive
3-4 Turntable Platter	332mm dia. Aluminum diecast
3-5 Speeds	33 <sup>1</sup> / <sub>3</sub> and 45 rpm and 78rpm
3-6 Wow and Flutter	Less than 0.1% WRMS (JIS WTD) with 33 <sup>1</sup> / <sub>3</sub> rpm
3-7 S/N Ratio	More than 55dB (DIN-B)
3-8 Pitch Controls	+/- 10%, +/- 20%, +/-50%
3-9 Starting Torque	2.5~4.5kgf.cm +/-0.5kgf.cm(Adjustable)
3-10 Braking System	Electronic brake
3-11 Starting Time	0.2~6 sec.(Adjustable)
3-12 Braking Time	0.2~6 sec.(Adjustable)
3-13 Time for Speed Change	Less than 0.2 sec. from 33 <sup>1</sup> / <sub>3</sub> to 45 rpm. Less than 0.2 sec. from 45 to 33 <sup>1</sup> / <sub>3</sub> rpm. Less than 0.5 sec. from 33 <sup>1</sup> / <sub>3</sub> to 78 rpm

### 4. TONEARM SECTION:

4-1 Type	Static balanced S-shaped tonearm with detachable headshell
4-2 Effective Arm Length	230mm
4-3 Overhang	15mm
4-4 Tracking Error Angle	Less than 3 degree
4-6 Applicable Cartridge Weight	6~10g
4-7 Anti-skating Range	0-3g
4-8 Output	2.58~5.14 mV at 1KHz 5cm/sec (HP-4005)
4-9 Frequency Response	20Hz-20KHz
4-10 Channel Separation	More than 15dB
4-11 Channel Balance	Within 2.5dB at 1KHz
4-12 Needle Pressure range	2~5g
4-13 High of cue(first track)	7.5~10mm
4-14 Descend of cue	1~3sec

### 5. GENERAL SECTION:

5-1 Power Supply	AC 230V, 50Hz
5-2 Power Consumption	13Watts
5-3 Dimensions	450 (W) x 353 (D) x 156 (H) mm
5-4 Weight	11 Kgs

### 6. AUDIO SECTION:

6-1 EQ. RIAA Characteristic	50Hz~20KHz +0.5/-1dB
6-2 Phono Output Level	2.58~5.14mV at 1KHz 5cm/sec (HP-4005)
6-3 Line Output Level	153~308mV at 1KHz 5cm/sec (HP-4005)
6-4 S/N Ratio	≥ 55dB (1KHz, 4mV INPUT)

## General Specification

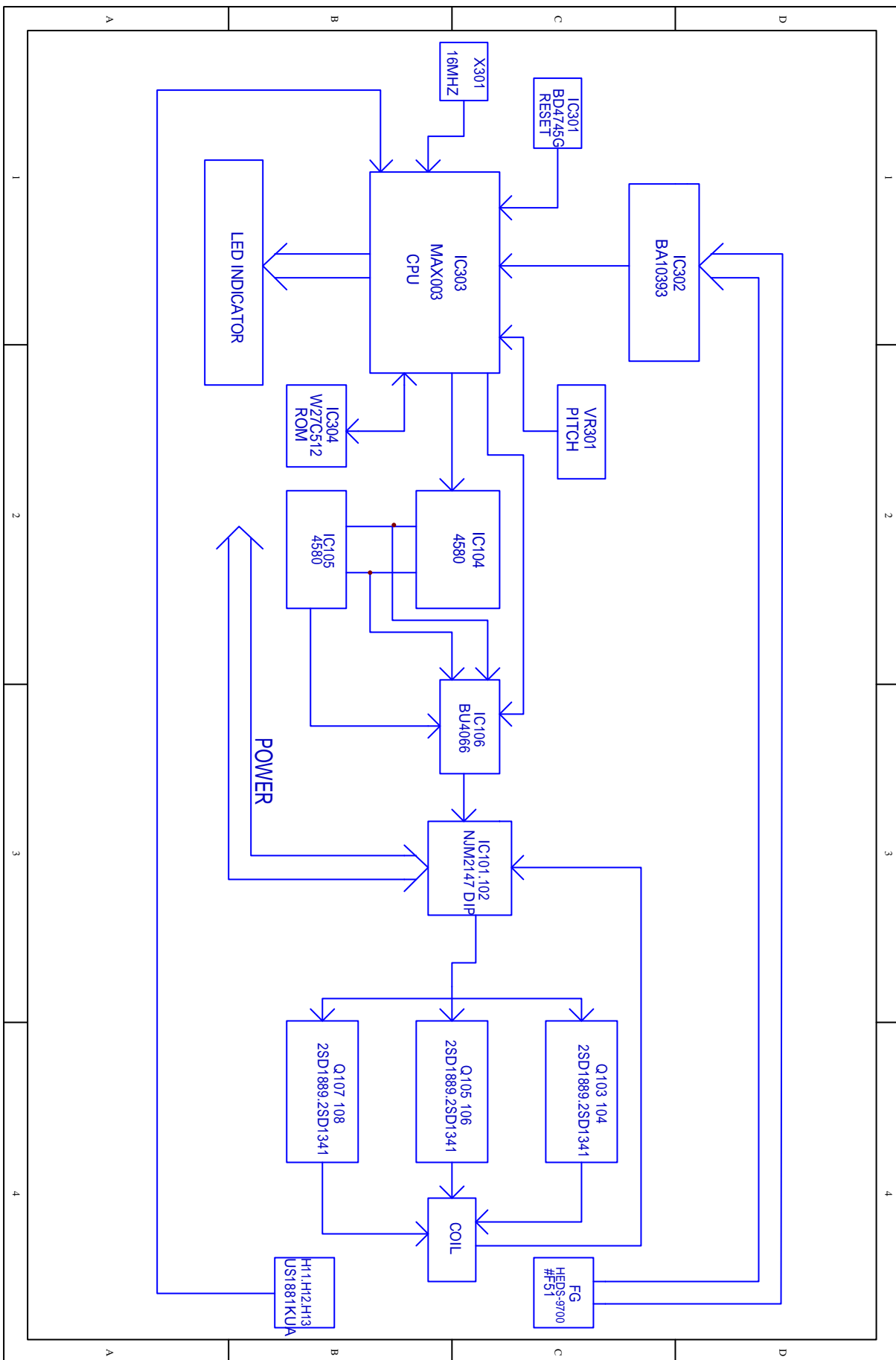
### 7. ACCESSORIES SUPPLIED

Instruction manual x 1,  
Headshell x 1, 45 rpm adaptor x 1,  
Counter weight x 1, AC cord x 1,  
Target light x 1, Platter x1,  
Slipmat x 1,  
Connecting cord x 1

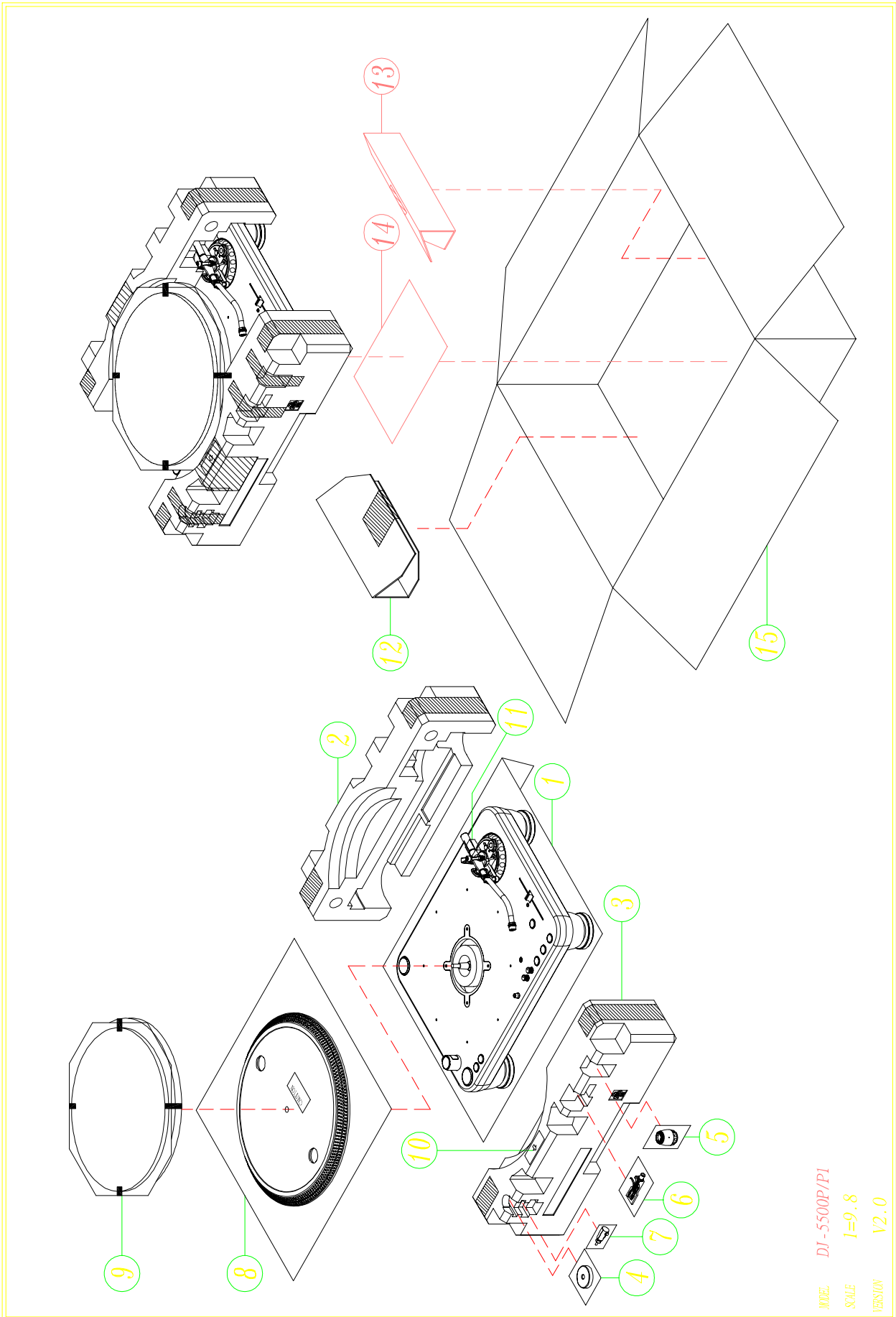
### 8. SPECIFICATION

<i>DESCRIPTIONS</i>	<i>UNIT</i>	<i>NORMAL</i>	<i>LIMIT</i>
(1) Output Difference	dB	2.3	2.5
(2) Phono Output Level	mv	2.73~4.86	2.58~5.14mV
(3) Line Output Level	mv	164~292	153~308
(4) Speed (Speed Range) +/- 10%	Hz	2700 ↓ ,3300 ↑	2710 ↓ ,3290 ↑
(5) Speed (Speed Range) +/- 20%	Hz	2400 ↓ ,3600 ↑	2410 ↓ ,3590 ↑
(6) Speed (Speed Range) +/- 50%	Hz	1500 ↓ ,4500 ↑	1510 ↓ ,4490 ↑
(7) Speed (Center Range)	Hz	2995~3005	2990~3010
(8) Wow and Flutter	%	0.08	0.1
(9) Channel separation	dB	20	15
(10)S/N (Ratio)	dB	57	55

Note: Cartridge(505SK)



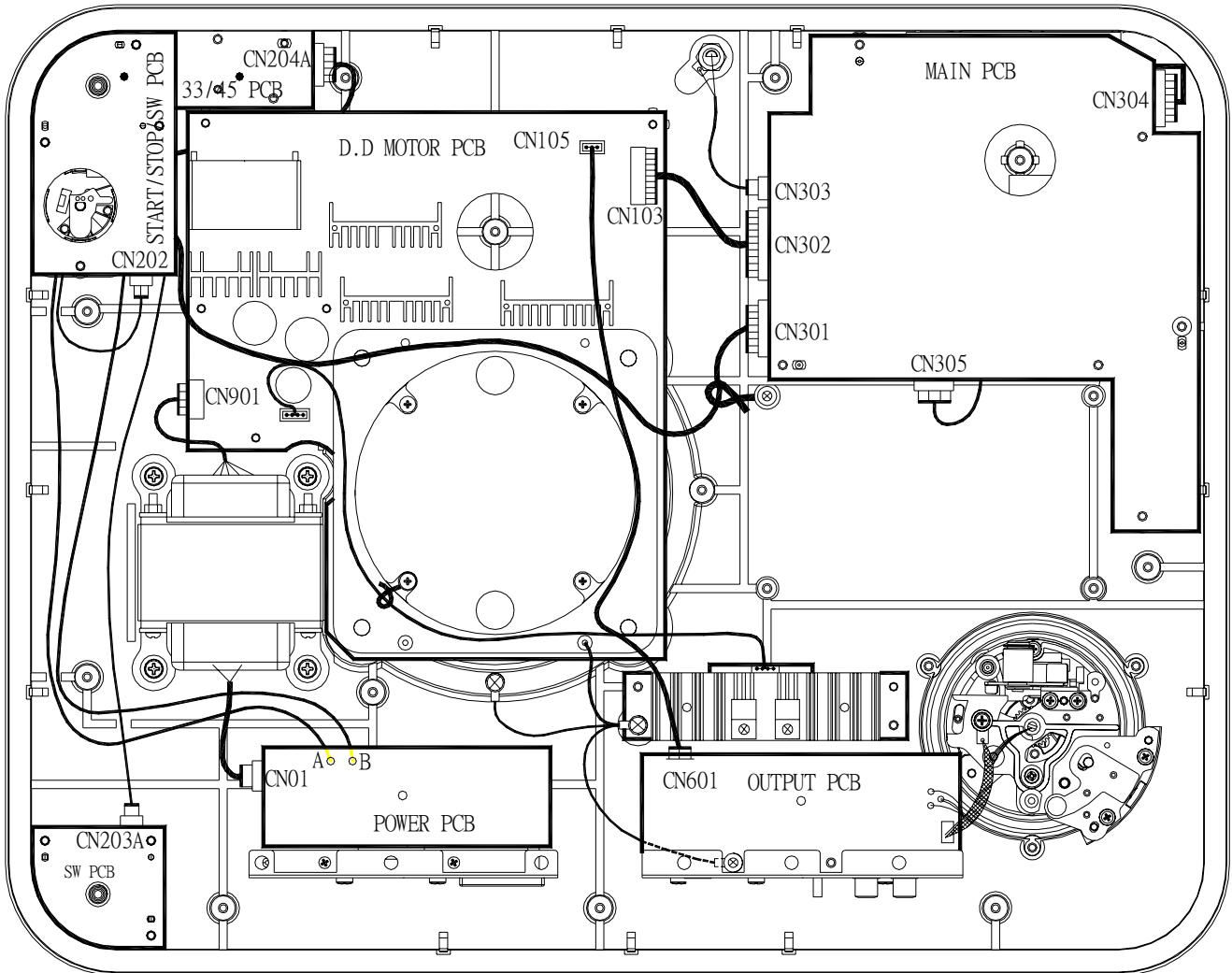
Packing View



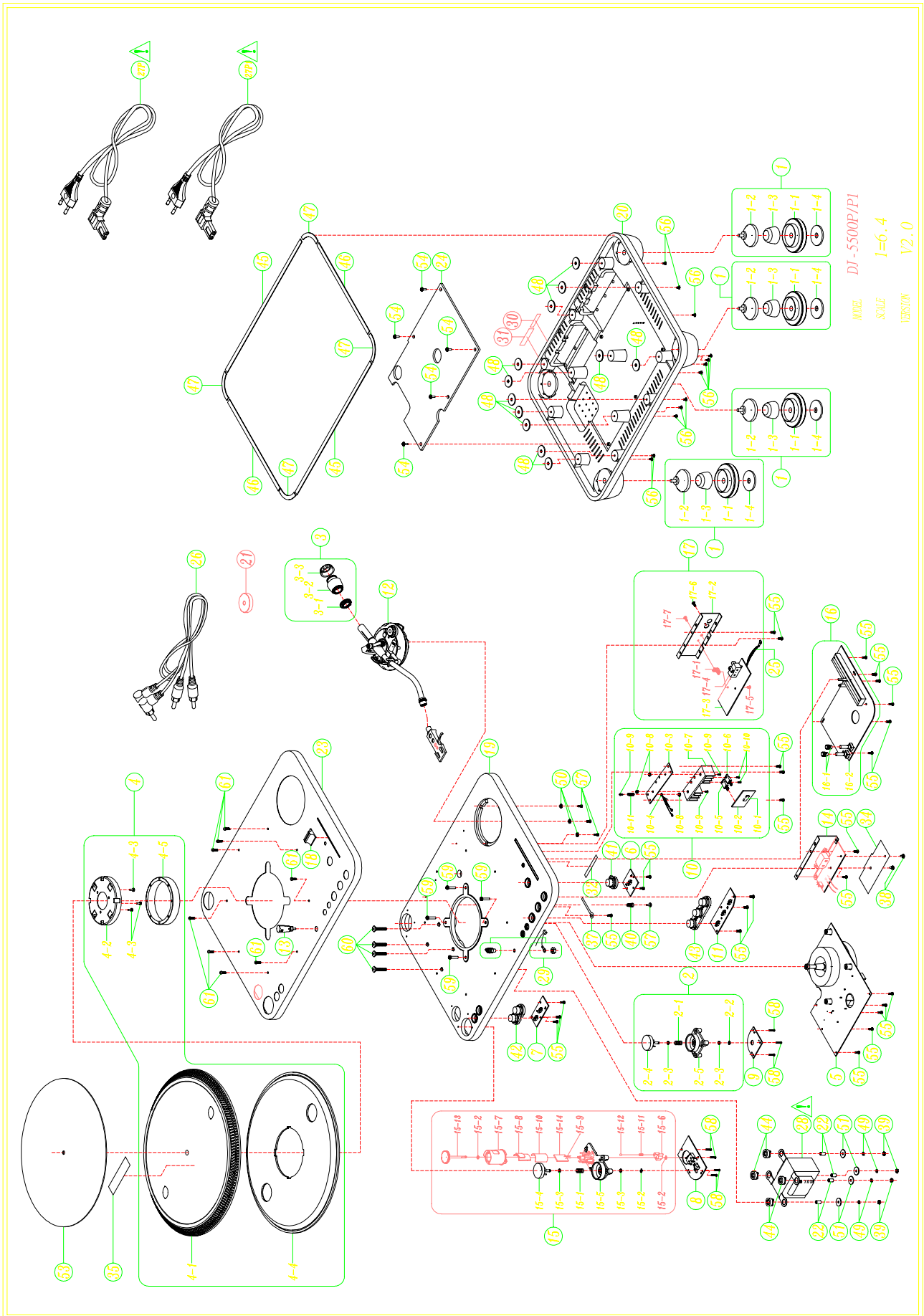
*Packing View Part List*

REF NO.	DESCRIPTION	PART NO.	Q'TY	REMARK
1	POLYBAG	505-DD3220-099	1	
2	POLYFOAM B	506-DJ5500-348B	1	
3	POLYFOAM F	506-DJ5500-348F	1	
4	45 RPM ADAPTOR	200-DJ3000-211	1	
5	COUNTER WEIGHT ADJUSTOR ASS'Y	702-T120-051	1	
6	HEADSHELL ASS'Y	703-RP5000A1-732	1	P
	HEADSHELL ASS'Y	703-DJ2550A-731	1	P1
7	SEARCHLIGHT ASS'Y	704-DJ5500B-4467	1	P
	SEARCHLIGHT ASS'Y	704-DJ5500-4329	1	P1
	POLYBAG(70*95mm)	505-B300-007	4	
8	ALUMINIUM PLATTER ASS'Y	702-ST150-032	1	
	POLYBAG FOR TURNTABLE(356*457mm)	505-DJ2500H-001	1	
9	SLIPMAT	612-5500P-095	1	P
	SLIPMAT	612-5500H-095	1	P1
	SPACER( $\phi$ 302mm)	507-ST100-2217	1	
	POLYBAG FOR SLIPMAT(310*400mm)	505-DJ2500H-092	1	
10	APPENDAGE LABEL(64*24mm,t=0.1mm)	501-BJ2300E-1190	1	
11	CUSHION FOR TONEARM	612-ST150-159	1	
	BIND	504-F806-128	1	
12	2P SIGNAL WIRE(L=1550mm,180°/90°,WHITE)	408-5500P-071	1	P
	SIGNAL WIRE(L=1550mm)	408-ST150-055	1	P1
	SPACER FOR CORD(215*240mm)	507-DJ5500-2441	1	
	PLASTIC BAG	505-B605-017	1	
13	TYPE,90°,WHITE)	409-5500P-174	1	P
	AC POWER CORD(L=1900mm,VDE TYPE,90°)	409-DJ5500F-120	1	P1
	SPACER FOR CORD(215*240mm)	507-DJ5500-2441	1	
14	I/B ASS'Y	701-DJ5500P-3816	1	
15	GIFT BOX	507-5500P-2331	1	P
		507-5500P1-2331	1	P1

*Point to Point Wiring Diagram*



# Exploded View





Exploded View Part List

REF NO.	DESCRIPTION	PART NO.	Q'TY	REMARK
1	FOOT ASS'Y	701-DJ5500-2860	4	
1-1	PLASTIC FOOT(ABS)	100-DJ5500-590A	4	
1-2	RUBBER FOOT	604-ST150-243	4	
1-3	CUSHION FOR FOOT(PU)	604-ST150-244	4	
1-4	CUSHION FOR FOOT(PORON, $\phi$ 39.5*11*3t)	612-ST150-153	4	
2	MINOR START/STOP KNOB BASE ASS'Y	701-5500P-3810	1	P
	MINOR START/STOP KNOB BASE ASS'Y	701-5500P1-3992	1	P1
2-1	SPRING FOR START/STOP BUTTON	603-DJ3500-242	1	
2-2	E-RING WASHER ( $\phi$ 7*3*0.6t)	606-F200-011	1	
2-3	SPACER FOR NOISE ELIMINATION(BLACK, $\phi$ 6.5*4.2*1.5t)	612-ST150-150	2	
2-4	START/STOP KNOB ASS'Y	701-5500H-3056	1	P
	START/STOP KNOB ASS'Y	701-5500P1-3991	1	P1
2-5	MINOR START/STOP KNOB BASE ASS'Y	701-DJ5500-2863	1	
3	COUNTER WEIGHT ADJUSTOR ASS'Y	702-T120-051	1	
3-1	INDICATOR(ABS,BLACK)	100-ST150-2028	1	
3-2	COUNTEREIGHT RING	200-T120CA-463	1	
3-3	RUBBER COUNTER WEIGHT	604-ST150-229	1	
4	ALUMINIUM PLATTER ASS'Y	702-ST150-032	1	
4-1	ALUMINIUM PLATTER	200-ST150-317	1	
4-2	MAGNET BASE	300-ST150-949	1	
4-3	SCREW(SAE1018,BTB, $\phi$ 3*L8)	602-DM3000-270	3	
4-4	RUBBER SLIPMAT	604-DJ5500-234	1	
4-5	MAGNET PLASTIC(FP-1216, $\phi$ 94,H=17)	613-ST150-013	1	
5	D.D MOTOR ASS'Y	704-5500F-4940	1	
6	QUARTZ PCB ASS'Y	704-DJ5500-4322	1	P
	QUARTZ PCB ASS'Y	704-5500P1-6991	1	P1
7	33/45 SPEED PCB ASS'Y	704-DJ5500-4323	1	P
	33/45 SPEED PCB ASS'Y	704-5500P1-6992	1	P1
8	START/STOP/SW PCB ASS'Y	704-DJ5500-4324	1	
9	SW PCB ASS'Y	704-DJ5500-4325	1	
10	DC PCB & DROUND WIRE ASS'Y	704-DJ5500-4326	1	
10-1	4P 2.5SOCKET(S4B-XH-A,90°,JST)	404-QMX2-606	1	
10-2	DC PCB(BARE,94VO,98*116.7*1.6t)	405-TT300-753	1	
10-3	HEAT-SINK PCB(BARE)	405-DJ5500-1024	1	
10-4	GROUND WIRE(L=90/120/60/70mm,AWM1007/1617 AWG22)	406-DJ5500-678	1	
10-5	IC(NJM-7805FA,TO-220F)	417-KC730-123	1	
10-6	IC(NJM-7812FA,TO-220F)	417-BJ1900L-231	1	
10-7	HEAT SINK(AL,6063-T5,84*24*24.5,SILVER)	425-DJ3000-023	1	
10-8	NUT(M3*P0.5)	601-A100-004	3	
10-9	SCREW(M3*9)	602-DJ1900-148	3	
10-10	SCREW(SAE1018,BTP, $\phi$ 3*L7)	602-DJ3000-274	2	
10-11	SPRING FOR CHASSIS	603-DJ5500-280	1	
11	10%/20%/REVERSE KNOB PCB ASS'Y	704-DJ5500-4327	1	P
	10%/20%/REVERSE KNOB PCB ASS'Y	704-5500P1-7013	1	P1

*Exploded View Part List*

REF NO.	DESCRIPTION	PART NO.	Q'TY	REMARK
12	TONEARM ASS'Y	704-5500P-6523	1	P
	TONEARM ASS'Y	704-5500P1-6988	1	P1
13	SEARCHLIGHT ASS'Y	704-DJ5500B-4467	1	P
	SEARCHLIGHT ASS'Y	704-DJ5500-4329	1	P1
14	POWER PCB ASS'Y	704-5500P-6522	1	P
	POWER PCB ASS'Y	704-5500P1-6987	1	P1
15	POWER & START/STOP KNOB ASS'Y	704-5500P-6524	1	P
	POWER & START/STOP KNOB ASS'Y	704-5500P1-6989	1	P1
15-1	SPRING FOR START/STOP BUTTON	603-DJ3500-242	1	
15-2	E-RING WASHER (3mm)	606-F200-011	3	
15-3	SPACER FOR NOISE ELIMINATION(BLACK, $\phi$ 6.5*4.2*1.5t)	612-ST150-150	2	
15-4	START/STOP KNOB ASS'Y	701-5500H-3056	1	P
	START/STOP KNOB ASS'Y	701-5500P1-3991	1	P1
15-5	KNOB BASE ASS'Y	701-DJ5500-2862	1	
15-6	TUNING SHAFT(POWER)	100-DJ2500-1292	1	
15-7	SPOTLIGHT HOLDER (ABS,SELVER)	100-DJ5500-2052	1	P
	SPOTLIGHT HOLDER (ABS,BLACK)	100-5500P1-2052	1	P1
15-8	ATTACHMENT LENS	100-ST150-2053	1	
15-9	3P CONNECTOR WIRE(P=2.0 L=100mm,AWM1007 AWG26)	404-ST100-1293	1	
15-10	TRANSPARENT SHEET(PC,31*29.5*0.1t)	501-ST150-1629	1	
15-11	SPRING	603-DJ3110-230	1	
15-12	STEEL BALL	607-B600-002	1	
15-13	POWER KNOB & SHAFT ASS'Y	701-5500P-3813	1	
15-14	LED PCB ASS'Y	704-ST150-4161	1	P
	LED PCB ASS'Y	704-5500P1-7014	1	P1
16	MAIN PCB ASS'Y	704-5500H1-5864	1	P(SERVE THE PART)
	MAIN PCB ASS'Y	704-5500P1-6986	1	P1(SERVE THE PART)
16-1	COVER FOR KNOB	300-ST150-950	2	P
	COVER FOR KNOB	300-5500P-950	2	P1
16-2	MAIN PCB ASS'Y	704-5500H1-5857	1	P
	MAIN PCB ASS'Y	704-5500P1-6985	1	P1
17	OUTPUT PCB & FIXED PLATE ASS'Y	704-5500P-6740	1	P
	OUTPUT PCB & FIXED PLATE ASS'Y	704-5500P1-6990	1	P1
17-1	BRACKET(L TYPE)	300-HDJ7000-472	1	
17-2	OUTPUT FIXED PLATE	300-5500P-958	1	P
	OUTPUT FIXED PLATE	300-5500P1-958	1	P1
17-3	OUTPUT PCB ASS'Y	704-5500P-6525	1	
17-4	2P RCA JACK(RJ-1078-10-0500A,RED/WHITE)	420-RCC955A-089	1	
17-5	SCREW(3*5 P=0.5)	602-B300-041	1	
17-6	SCREW(SAE1018,PTB, $\phi$ 3*L8)	602-DJ5500-452	1	
17-7	SCREW(M3*P0.5*L8)	602-HP1010K-178	1	
18	SPEED PUSH BUTTON(ABS)	100-DJ5500-2017	1	P
	SPEED PUSH BUTTON(ABS)	100-RMP2-2017	1	P1
19	CHASSIS	100-DJ5500-2058	1	

*Exploded View Part List*

REF NO.	DESCRIPTION	PART NO.	Q'TY	REMARK
20	BOTTOM BASE	100-5500P-2059	1	P
	BOTTOM BASE	100-DJ5500-2059	1	P1
21	45 RPM ADAPTOR(AL)	200-DJ3000-211	1	
22	COVER FOR TRANSFORMER	200-ST150-332	4	
23	CHASSIS FOR PLATE(SECC)	300-5500P-966	1	P
	CHASSIS FOR PLATE(SECC)	300-5500P1-966	1	P1
24	PLATE FOR BOTTOM BASE(SECC,4t)	300-DJ5500-967	1	
25	GROUNDING METAL NET(L=90mm)	407-DJ100-135	1	
26	2P SIGNAL WIRE(L=1550mm,180°/90°,WHITE)	408-5500P-071	1	P
	SIGNAL WIRE(L=1550mm)	408-ST150-055	1	P1
27P	TYPE,90°,WHITE)	409-5500P-174	1	P
27P1	AC POWER CORD(L=1900mm,VDE TYPE,90°)	409-DJ5500F-120	1	P1
28	TRANSFORMER(AC230V,50Hz,EI-66)	411-DJ5500-280	1	
29	RCA JACK(WTN-20-6213/B)	420-ST150-159	1	
30	LABEL(BARE,36*8mm,t=1.2mm)	501-DV300-1067	0	
31	RATING LABEL(46*12mm,t=0.08mm)	501-5500F-1249	1	
32	FUSE LABEL(46*6mm,t=0.08mm)	501-PRODJ2-1298A	1	
34	SEGREGATE SHEET	501-ST150-1630	1	
35	LABEL(68.5*19.2mm,t=0.08mm)	501-ST150-1644	1	
37	LOCKING CABLE CLIP(WC-1AM-M9B, § 5.6,L=35.6mm,BLACK)	504-HV3500K-033	1	
38	1S)	504-HF6011-5011	2	
39	NUT(M4*P0.7,3t)	601-F200-001	4	
40	SPRING FOR BOTTOM BASE	603-DJ5500-281	1	
41	QUARTZ KNOB(RUBBER)	604-DJ5500-239	1	P
	QUARTZ KNOB(RUBBER)	604-5500P1-239	1	P1
42	33/45 SPEED KNOB(RUBBER)	604-DJ5500-240	1	P
	33/45 SPEED KNOB(RUBBER)	604-5500P1-240	1	P1
43	PITCH KNOB(RUBBER)	604-DJ5500-241	1	P
	PITCH KNOB(RUBBER)	604-5500P1-241	1	P1
44	RUBBER FOR TRANSFORMER	604-ST150-258	4	
45	RUBBER(300*7*1t)	604-DJ5500-259	2	
46	RUBBER(203*7*1t)	604-DJ5500-260	2	
47	RUBBER	604-DJ5500-261	4	
48	RUBBER FOR BOTTOM BASE	604-DJ5500-262	12	
49	SPRING WASHER (BLACK)	606-DJ3000-102	4	
50	WASHER( § 8*3.2*1t,NI)	606-Q2221-122	3	
51	WASHER( § 16*4.1*1.2t)	606-ST150-157	4	
53	SLIPMAT	612-5500P-095	1	P
	SLIPMAT	612-5500H-095	1	P1
54	SCREW(SAE1018,PTP, § 3*L10)	602-M400-055	5	
55	SCREW(SAE1018,PTP, § 3*L8)	602-B600-057	27	
56	SCREW(SAE1018,PTP, § 3*L12)	602-B600-058	12	
57	SCREW(SAE1018,BTB, § 3*L8)	602-DM3000-270	4	
58	SCREW(SAE1018,PTB, § 3*L20)	602-DJ3500-326	7	
59	SCREW(SAE1018,M4*L18,SPRING WASHER)	602-ST150-432	4	
60	SCREW(SAE1018,ISO, § 4*L20*P0.7)	602-DJ5500-451	4	
61	SCREW(SAE1018,PTB, § 3*L8)	602-DJ5500-452	8	

Main P.C.B Ass'y Part List

REF NO.	DESCRIPTION	PART NO.	Q'TY	REMARK
	MAIN PCB ASS'Y	704-5500H1-5857	1	
CN305	4P SOCKET(S4B-PH-K,P=2mm,JST,90 DEGREE)	404-DCM270E3-878	1	
CN304	9P SOCKET(S9B-PH-K,P=2mm,JST,90 DEGREE)	404-DJ3000-809	1	
CN303	2P SOCKET(S2B-PH-K,P=2mm,JST,90 DEGREE)	404-DJ3000-847	1	
CN301	8P SOCKET(S8B-PH-K-S,P=2mm,JST,90 DEGREE)	404-DV300-506	1	
CN302	11P SOCKET(S11B-PH-K,P=2mm,JST,90 DEGREE)	404-HDJ9700-1556	1	
IC304	IC SOCKET(28PIN P=2.54mm)	404-HV3500K-613	1	
J335	JUMPER( $\phi$ 0.6mm,L=5mm,H=10mm)	406-2002-106	1	
D305	LED ( LTL42UB5N,BLUE )	410-NT2000-149	1	
R320	CARBON FILM RESISTOR(1K OHM,1/6W,J,T-26)	412-3113-078	1	
RB302, RB303	THICK FILM RESISTOR NETWORKS(10K OHM,J,RA TYPE,5R6P)	412-HDJ200-263	2	
RB301	THICK FILM RESISTOR NETWORKS(10K OHM,1/8W J,RA TYPE,4R5P)	412-HDJ200-264	1	
C311, C320, C326	ELEC. CAPACITOR(100uF/10V,M,105°C ,TAPING 5*11)(Cd,Pb,Hg,Cr)	413-3113-046	3	
C309	ELEC. CAPACITOR(1uF/50V,M,105°C ,TAPING 5*11)(Cd,Pb,Hg,Cr)	413-3113-049	1	
VR302, VR303	VR(10KB,RK09K113Z405-10KB(HF))	418-ST150-179	2	
VR301	SLIDE VR(10KB*2,RFA0Y12H3006-10KB*2(HF))	418-STR880-097A	1	
X301	CITIZEN BRAND(CSA-309,16MHz)	427-CDN88-072	1	
D305	LED HOLDER(LED3-22-B,H=22)	504-ST100-113	1	
	VR CUSHION(0.5t,BLACK)	612-HDJ9700-015	1	
IC304	IC ASS'Y(CHECK SUM:B919/1)	704-5500H1-5858	1	
	IC(W27E512-12/W27C512-45,DIP-28,OTP)	417-HV3500K-244	1	
R329	CHIP RESISTOR(100 OHM,1/8W,0805,J,TP 150V)	412-DV330-304	1	
R306	CHIP RESISTOR(1K OHM,1/8W, 0805,J,TP 150V)	412-DV330-305	1	
R301	CHIP RESISTOR(10K OHM,1/8W,0805,J,TP 150V)	412-DV330-306	1	
R305, R313, R346	CHIP RESISTOR(1M OHM,1/8W, 0805,J,TP 150V)	412-DV330-308	3	
R303, R302, R310, R311	CHIP RESISTOR(22K OHM,1/8W, 0805,J,TP 150V)	412-DV330-314	4	
R312	CHIP RESISTOR(3.3K OHM,1/8W, 0805,J,TP,150V)	412-DV330-317	1	
R327, R328	CHIP RESISTOR(4.7K OHM,1/8W,0805,J,TP 150V )	412-DV330-320	2	
R308, R316	CHIP RESISTOR(47K OHM,1/8W,0805,J,TP 150V)	412-DV330-321	2	
R323, R332, R333, R335, R336, R337, R339, R340, R341, R342, R344, R345, R347, R348, R350	CHIP RESISTOR( 220 OHM,1/8W,0805,J,TP 150V )	412-DV330-333	15	
R343	CHIP RESISTOR (470 OHM,1/8W, 0805,J,TP,150V)	412-VCDG3-395	1	
C301, C304	CHIP CAPACITOR(1000pF/50V,J,0805 TYPE,NPO)	413-DV330-311	2	
C328, C315, C302, C303, C305, C306, C307, C314	CHIP CAPACITOR(0.1uF/ 50V,Z,0805 TYPE,Y5V)	413-DV330-313	8	
IC303	IC(HD6413008F25V,FP-100B)	417-DJ5500-578	1	
IC302	IC(BA10393F/BA10393FE2,SOP-8)	417-DV330-197	1	
IC301	IC(BD4745G/BD4745G-TR)	417-HDJ2000-503	1	
C318, C317	CERAMIC CAPACITOR(20pF/50V,J,TAPING,NPO)	413-3113-034	2	
C329, C310, C312, C313, C319, C321, C322, C323, C324, C325, C327	CERAMIC CAPACITOR(0.1uF/50V,Z,TAPING,Y5V)	413-3113-035	11	

Main P.C.B Ass'y Part List

REF NO.	DESCRIPTION	PART NO.	Q'TY	REMARK
C308	ELEC. CAPACITOR(100uF/25V,M,105°C,TAPING 6.3*11)(Cd,Pb,Hg,C	413-HS100-180	1	
Q302,Q303,Q304,Q305,Q306,Q307,Q309	TRANSISTOR(2SC1740R TAPING)	416-3113-007	7	
Q308	TRANSISTOR( 2SA933SR TAPING OR 2SA608G)	416-3113-008	1	
Q301	TRANSISTORS(2SC3330U-AC)	416-DJ1900-023	1	
	MAIN PCB(BARE)	405-DJ5500-1025	1	
R317,R326	CARBON FILM RESISTOR(4.7K OHM,1/6W,J,T-26)	412-3113-055	2	
R304	CARBON FILM RESISTOR((3.3K OHM,1/6W,J,T-26)	412-3113-057	1	
R322,R324,R334,R338	CARBON FILM RESISTOR(220 OHM,1/6W,J,T-26)	412-3113-058	4	
R307,R318,R319,R330,R331,R315	CARBON FILM RESISTOR(100 OHM,1/6W,J,T-26)	412-3113-060	6	
R349,R360,R309	CARBON FILM RESISTOR(10K OHM,1/6W,J,T-26)	412-3113-068	3	
R314	CARBON FILM RESISTOR(1K OHM,1/6W,J,T-26)	412-3113-078	1	
D303,D306,D307,D312,D313,D314,D315,D316,D317,D318,D319,D301,D302,D304	SWITCHING DIODE(1SS132/1SS133,300mw,55V,T-77)	414-3113-005	14	
L301,L302,L303,L304	BEAD CORE(86-019-A TAPING)	415-HV3500K-090	4	

*D.D. Motor P.C.B Ass'y Part List*

REF NO.	DESCRIPTION	PART NO.	Q'TY	REMARK
	D.D.MOTOR PCB ASS'Y	704-5500F-4941	1	
CN903	4P CONNECTOR WIRE(L=300mm,AWM1007 AWG26,P=2.5mm)	404-CDMIX1-949	1	
CN901	5P 2.5SOCKET(S5B-XH-A,90°,JST)	404-SPPW3-513	1	
CN103	11P2.0 CONNECTOR WIRE(L=80mm,AWM1007 AWG26)	404-ST150-1571	1	
CN105	3P2.5 CONNECTOR WIRE(L=220mm,AWM1007 AWG26)	404-ST150-1720	1	
	SENSOR PCB(BARE)	405-ST150-985	1	
R122,R123,R124,R146,R147,R148	METAL OXIDE FILM RESISTOR(1 OHM,1W,T-73)	412-DJ5500-661	6	
R134	RESISTOR(4.7Kohm,TB655MCL-4.7K)	412-KC220-127A	1	
C901	ELEC. CAPACITOR(1000uF/25V,M, 105°C ,BULK 10*20)	413-DJ1900-111	1	
C909,C910	ELEC. CAPACITOR(2200uF/35V,M, 105°C ,BULK 16*26)(Cd,Pb,Hg,Cr)	413-HT7016-223	2	
D901,D902,D903,D904,D905,D906,D907,D908	DIODE(1N4002/1N4002TA,1A/100V,TAPING)	414-DV300-5014	8	
Q108	TRANSISTOR(2SB1340,TO-220FP)	416-DJ5500-205	1	
Q107	TRANSISTOR(2SD1889,TO-220FP)	416-DJ5500-206	1	
IC903	IC(NJM7824)	417-DJ2500-268	1	
IC101,IC102	IC(NJM2147D,DIP8)	417-DJ5500-579	2	
IC904	IC(NJM7924FA,3PIN)	417-DJ5500-581	1	
IC905	IC(NJM7815FA 3PIN)	417-DV330-216	1	
IC906	IC(NJM7915FA)	417-RCC955A-291	1	
F02,F03	FUSE(2.5A/125V)	422-1300-051	2	
CN104	3P 2.54 STRIP PIN HEADER(H=12.6mm,180°)	424-KT350-005	1	
IC903,IC904	HEAT SINK(AL)	425-2002-001	2	
Q107&108,IC905&906	HEAT SINK(AL,HW-7004)	425-ST150-064	2	
	SCREW(3*8mm TTB)	602-2002-077	6	
R127,R136,R138	CHIP RESISTOR( 18K OHM 1/8W 0805 J TP 150V )	412-AMC110D-5057	3	
R126,R129	CHIP RESISTOR(680K OHM,1/8W,0805,J,TP ,150V)	412-CDN88-024	2	
JR1,JR2,JR3,JR4,JR5,JR6,JR7	CHIP RESISTOR(0 OHM,1/8W,1206,J,TP ,150V)	412-DJ3000-414	7	
R144,R150,R151,R152	CHIP RESISTOR(1K OHM,1/8W, 0805,J,TP 150V)	412-DV330-305	4	
R125	CHIP RESISTOR(10K OHM,1/8W,0805,J,TP 150V)	412-DV330-306	1	
R114,R139,R142,R143,R132	CHIP RESISTOR(22K OHM,1/8W, 0805,J,TP 150V)	412-DV330-314	5	
R141	CHIP RESISTOR(47K OHM,1/8W,0805,J,TP 150V)	412-DV330-321	1	
R133	CHIP RESISTOR(12K OHM,1/8W, 0805,J,TP,150V)	412-DV330-330	1	
JR8	CHIP RESISTOR (0 OHM,1/8W,0805,J,TP 150V)	412-HV3500K-367	1	
R135	CHIP RESISTOR(2.7K OHM,1/8W, 0805,J,TP,150V)	412-QSPAND-496	1	
C103,C106,C139,C140,C141	CHIP CAPACITOR(1000pF/50V,J,0805 TYPE,NPO)	413-DV330-311	5	
C110,C111,C112,C113,C124,C127,C129,C131,C132,C133,C138,C916,C918	CHIP CAPACITOR(0.1uF/ 50V,Z,0805 TYPE,Y5V)	413-DV330-313	13	
IC106	IC(TC4066BFN/BU4066BCF/BU4066BCF-E2.SOP-14)	417-QMX2-190	1	
IC104,IC105	IC(NJM-4580M-TE2,SOP-8)	417-ST150-599	2	
C101,C102,C104,C105,C107,C108,C109	CERAMIC CAPACITOR(1000PF/50V,K,TAPING,Y5P)	413-1430-071	7	

### D.D. Motor P.C.B Ass'y Part List

REF NO.	DESCRIPTION	PART NO.	Q'TY	REMARK
C121,C906,C912,C914,C120	CERAMIC CAPACITOR(0.1uF/50V,Z,TAPING,Y5V)	413-3113-035	5	
C122,C905,C123	ELEC. CAPACITOR(100uF/10V,M,105°C,TAPING 5*11)(Cd,Pb,Hg,Cr)	413-3113-046	3	
C907,C908,C918	METAL POLYESTER CAPACITOR(0.1uF/AC125V,K,TAPING)	413-DJ3500-884	3	
C114,C116,C117,C118,C134,C135,C136,C137,C911,C913,C115,C119	ELEC. CAPACITOR(100uF/35V,M,105°C,TAPING 6.3*11)(Cd,Pb,Hg,Cr)	413-HMD5000-356	12	
C917,C125,C126,C128,C130,C915	ELEC. CAPACITOR(100uF/25V,M,105°C,TAPING 6.3*11)(Cd,Pb,Hg,C)	413-HS100-180	6	
C904	ELEC.CAPACITOR(100uF/16V,M,105°C,TAPING 5*11)(Cd,Pb,Hg,Cr)	413-PXE90-109	1	
Q101	DIGITAL TRANSISTOR(DTC124TS TAPING OR 2SC4120)	416-1330-020	1	
Q102	TRANSISTOR(DTA124TS/2SA1589/DTA124TSATP,TAPING)	416-KE200S-024	1	
	D.D.MOTOR PCB(BARE)	405-ST150-888B	1	
R105,R111,R113,R118,R120,R106	CARBON FILM RESISTOR(270 OHM,1/6W,J,T-26)	412-3113-049	6	
R153,R154,R155	CARBON FILM RESISTOR(220 OHM,1/6W,J,T-26)	412-3113-058	3	
R104,R112,R119,R121,R107,R140	CARBON FILM RESISTOR(22K OHM,1/6W,J,T-26)	412-3113-059	6	
R137,R130	CARBON FILM RESISTOR((18K OHM,1/6W,J,T-26)	412-3113-061	2	
R128,R149	CARBON FILM RESISTOR(10K OHM,1/6W,J,T-26)	412-3113-068	2	
R101,R108,R115	CARBON FILM RESISTOR(6.8K OHM,1/6W,J,T-26)	412-3113-069	3	
R102,R109,R116	CARBON FILM RESISTOR(680 OHM,1/6W,J,T-26)	412-3113-070	3	
R103,R110,R117	CARBON FILM RESISTOR(560K OHM,1/6W,J,T-26)	412-3113-072	3	
R145	CARBON FILM RESISTOR(1K OHM,1/6W,J,T-26)	412-3113-078	1	
R131	METAL FILM RESISTOR(22K OHM,1/6W,F,T-26)	412-5500-884	1	
D101,D102,D103,D104,D105,D106,D108,D109,D110,D111,D112,D113,D114,D115,D116,D117,D118,D107,D119	SWITCHING DIODE(1SS132/1SS133,300mw,55V,T-77)	414-3113-005	19	
D120,D121	ZENER DIODE(MTZJ5.1-B,1/2W,T-77)	414-HDJ200-056	2	
L901	BEAD CORE(86-019-A TAPING)	415-HV3500K-090	1	

*Power P.C.B Ass'y Part List*

REF NO.	DESCRIPTION	PART NO.	Q'TY	REMARK
	POWER PCB ASS'Y	704-5500P-6522	1	
	POWER FIXED(SECC,1t)	300-5500P-959	1	
	SCREW(TTP, § 3*8)	602-DJ5500-452	2	
	AC PCB ASS'Y	704-5500F-6724	1	
CN1	2P SOCKET(P=3.96mm,180 DEGREES)	404-BEAT6-1597	1	
	AC JACK(SO-222-14RP)	404-DJ2-021	1	
	POWER PCB(94V0,119.8*105.5*1.6t)	405-DJ5500G-1162	1	
C03	AC SAFETY CAPACITOR(4700pF/250V,M,BULK,Y5V)	413-1431-104	1	
C01	MEX CAPACITOR(0.1uF/250V,K,BULK)	413-PROTT1-432	1	
	FILTER(FKOB160MH02)	415-1300-239	1	
FU01	FUSE CLIPS(FS-001)	420-KT350A-004	2	
FU01	FUSE(1A,250V)	422-HDJ7100-022	1	
	FUSE COVER	504-DJ2500J-046	1	



Output P.C.B Ass'y Part List

REF NO.	DESCRIPTION	PART NO.	Q'TY	REMARK
	OUTPUT PCB ASS'Y	704-5500P-6525	1	
	BRACKET(L TYPE)	300-HDJ7000-472	1	
SW601	SLIDE SW(SSSF142NA1-HF, 12PIN)	403-DJ150E3-122	1	
CN601	3P SOCKET(CKM2501WR-3P 90°WHITE)(Cd,Pb,Hg,Cr)	404-KMD3500-609A	1	
JK601	2P RCA JACK(RJ-1078-10-0500A)	420-RCC955A-089	1	
	SCREW(3*5 P=0.5)	602-B300-041	1	
R606,R613	CHIP RESISTOR(270K OHM,1/8W,J,TP 0805,150V)	412-AMC110D-5077	2	
R604,R611	CHIP RESISTOR(68K OHM,1/8W,0805,J,TP 150V)	412-CDMIX1-455	2	
R617,R618	CHIP RESISTOR(180K OHM,1/8W, 0805,J,TP,150V)	412-CDMIX2-506	2	
R630	CHIP RESISTOR(220K OHM,1/8W,0805,J,TP ,150V)	412-DFX1-569	1	
JR601	CHIP RESISTOR(0 OHM,1/8W,1206,J,TP ,150V)	412-DJ3000-414	1	
R608,R615	CHIP RESISTOR(1K OHM,1/8W, 0805,J,TP 150V)	412-DV330-305	2	
R609,R616	CHIP RESISTOR(100K OHM,1/8W, 0805,J,TP 150V)	412-DV330-307	2	
R607,R614	CHIP RESISTOR(22K OHM,1/8W, 0805,J,TP 150V)	412-DV330-314	2	
R628,R629	CHIP RESISTOR(6.8K OHM,1/8W, 0805 ,J,TP,150V)	412-HDJ2650-102	2	
R603,R605,R610,R612,R631	CHIP RESISTOR (470 OHM,1/8W, 0805,J,TP,150V)	412-VCDG3-395	5	
C602,C604,C610,C612	CHIP CAPACITOR(100pF/50V,J,0805 TYPE,NPO)	413-DV330-310	4	
C609,C617	CHIP CAPACITOR(1000pF/50V,J,0805 TYPE,NPO)	413-DV330-311	2	
IC601	IC(BA15218F/BA15218FE2,SOP-8)	417-QMX2-167	1	
C601,C620,C634	CERAMIC CAPACITOR(0.1uF/50V,Z,TAPING,Y5V)	413-3113-035	3	
C608,C616	ELEC. CAPACITOR(1uF/50V,M,105°C,TAPING 5*11)(Cd,Pb,Hg,Cr)	413-3113-049	2	
C603,C611	ELEC. CAPACITOR(4.7uF/50V,M,105°C,TAPING 5*11)(Cd,Pb,Hg,Cr)	413-3113-050	2	
C606,C614	POLYESTER CAPACITOR(0.012uF/50V,J,TAPING)	413-3113-060	2	
C633	ELEC. CAPACITOR(220uF/25V,M, 105°C,TAPING 8*12)(Cd,Pb,Hg,Cr)	413-DV300-292	1	
C618,C619,C631	ELEC. CAPACITOR(100uF/25V,M,105°C,TAPING 6.3*11)(Cd,Pb,Hg,C	413-HS100-180	3	
C605,C613	ELEC. CAPACITOR(22uF/16V,M,105°C,TAPING 5*11)(Cd,Pb,Hg,Cr)	413-HT8015-163	2	
C615,C607	POLYESTER CAPACITOR(0.0033uF/100V,J,TAPING)	413-KT300-103	2	
C632	LOSE ELEC. CAPACITOR(10uF/25V,M, 105°C,TAPING 5*11)	413-STR880-626	1	
Q602,Q603	TRANSISTOR(2SC2878-B(TE2.M)	416-AMC110A-5017	2	
Q601	TRANSISTOR(DTA124TS/2SA1589/DTA124TSATP,TAPING)	416-KE200S-024	1	
	OUTPUT PCB(94V0,117*122*1.6t)	405-DJ5500F-1212	1	
R627	CARBON FILM RESISTOR(100K OHM,1/6W,J,T-26)	412-3113-047	1	
R601,R602	CARBON FILM RESISTOR(100 OHM,1/6W,J,T-26)	412-3113-060	2	
D601,D602	SWITCHING DIODE(1SS132/1SS133,300mw,55V,T-77)	414-3113-005	2	
L601	BEAD CORE(86-019-A TAPING)	415-HV3500K-090	1	

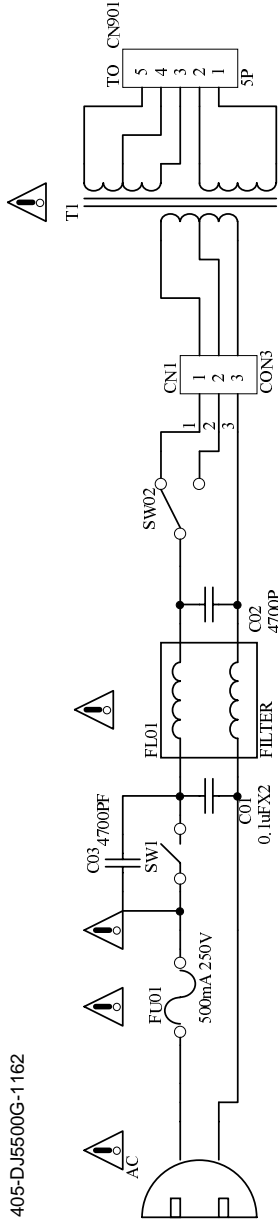
*Led & Quartz & 33/45 Speed & Start/Stop/Sw P.C.B Ass'y Part List*

REF NO.	DESCRIPTION	PART NO.	Q'TY	REMARK
	LED PCB ASS'Y	704-ST150-4161	1	
	LED PCB(BARE,94V0,108*115.6*1.6t)	405-ST150-976	1	
	LED ( LTL2P3UBK )	410-HDJ2650-160	4	
	QUARTZ PCB ASS'Y	704-DJ5500-4322	1	
SW303	TACT SW(H=5mm,TAPING)	403-DCM270X-101A	1	
CN305A	4P2.0 CONNECTOR WIRE(L=80mm,AWM1007 AWG26)	404-DJ5500-1626	1	
	QUARTZ PCB(BARE)	405-DJ5500-1028	1	
D328,D329	LED ( LTL42UB6N,BLUE )	410-HDJ9500-148	2	
R354,R355	CARBON FILM RESISTOR(1K OHM,1/6W,J,T-26)	412-3113-078	2	
	33/45 SPEED PCB ASS'Y	704-DJ5500-4323	1	
SW202,SW203	TACT SW(H=5mm,TAPING)	403-DCM270X-101A	2	
CN204A	6P SOCKET(S6B-PH-K-S,P=2mm,JST,90 DEGREE)	404-90V1-101	1	
D201,D202,D203,D204	LED ( LTL42UB6N,BLUE )	410-HDJ9500-148	4	
	ROTATIONAL SPEED PCB(BARE)	405-DJ5500-1022	1	
JR201,JR202	CHIP RESISTOR(0 OHM,1/8W,1206,J,TP ,150V)	412-DJ3000-414	2	
R201,R202,R203,R204	CHIP RESISTOR(1K OHM,1/8W, 0805,J,TP 150V)	412-DV330-305	4	
	START/STOP/SW PCB ASS'Y	704-DJ5500-4324	1	
SW1	MICRO SW(SMV-05S-04C/MAA-SM5-04C-30-C5,3PIN)	403-BJ2300-089	1	
SW201	TACT SW	403-DJ3500-134A	1	
CN204	6P2.0 CONNECTOR WIRE(L=110mm,AWM1007 AWG26)	404-DJ5500-1627	1	
CN201	8P2.0 CONNECTOR WIRE	404-DJ5500-1628	1	
CN203	2P2.0 CONNECTOR WIRE(L=210mm,AWM1007 AWG26)	404-DJ5500-1636	1	
CN202	3P SOCKET(S3B-PH-K,P=2mm,JST,90 DEGREE)	404-HMD5000-784	1	
	START/STOP PCB(BARE)	405-DJ5500-1031	1	
J201	JUMPER( $\phi$ 0.6mm,L=5mm,H=10mm)	406-2002-106	1	
A1->A	LEAD WIRE(L=370mm,AWM1617 AWG22,RED)	406-DJ5500-680	1	
B1->B	LEAD WIRE(L=370mm,AWM1617 AWG22,YELLOW)	406-DJ5500-681	1	
R205,R206	CARBON FILM RESISTOR(220 OHM,1/6W,J,T-26)	412-3113-058	2	
	SW PCB ASS'Y	704-DJ5500-4325	1	
SW205	TACT SW	403-DJ3500-134A	1	
CN203A	2P SOCKET(S2B-PH-K,P=2mm,JST,90 DEGREE)	404-DJ3000-847	1	
	SUB-START PCB(BARE)	405-DJ5500-1030	1	

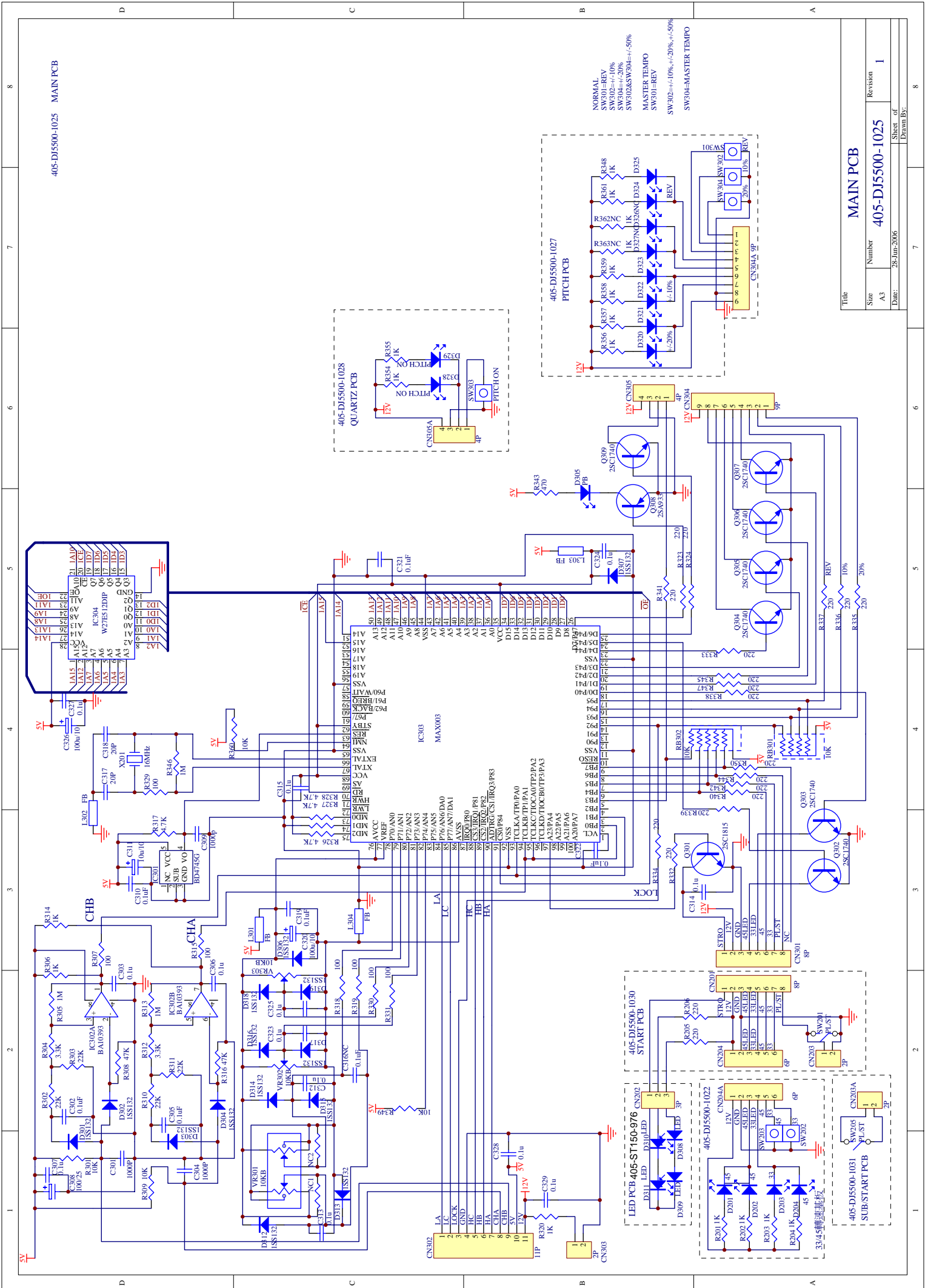
*Dc PCB & Dround Wire & 10%/20%/Reverse Knob P.C.B Ass'y Part List*

REF NO.	DESCRIPTION	PART NO.	Q'TY	REMARK
	DC PCB & DROUND WIRE AS'Y	704-DJ5500-4326	1	
CN903A	4P 2.5SOCKET(S4B-XH-A,90°,JST)	404-QMX2-606	1	
	HEAT-SINK PCB(BARE)	405-DJ5500-1024	1	
	DC PCB(BARE,94VO,98*116.7*1.6t)	405-TT300-753	1	
	GROUND WIRE(L=90/120/60/70mm,AWM1007/1617 AWG22)	406-DJ5500-678	1	
IC902	IC(7812)	417-BJ1900L-231	1	
IC901	IC 7805	417-KC730-123	1	
	HEAT SINK(AL)	425-DJ3000-023	1	
	NUT(M3*P0.5, Cd,Pb,Hg)	601-A100-004	3	
	SCREW(M3*9)	602-DJ1900-148	3	
	SCREW(TTB,DIA3*6)	602-DJ3000-274	2	
	SPRING FOR CHASSIS	603-DJ5500-280	1	
	10%/20%/REVERSE KNOB PCB ASS'Y	704-DJ5500-4327	1	
SW301,SW302,SW304	TACT SW(H=5mm,TAPING)	403-DCM270X-101A	3	
CN304A	9P2.0 CONNECTOR WIRE(L=70mm,AWM1007 AWG26)	404-DJ5500-1625	1	
D320,D321,D322,D323,D324,D325	LED ( LTL42UB6N,BLUE )	410-HDJ9500-148	6	
	PITCH PCB(BARE)	405-DJ5500-1027	1	
R347,R349,R356,R357,R358,R359	CHIP RESISTOR(1K OHM,1/8W, 0805,J,TP 150V)	412-DV330-305	6	

405-DJ5500G-1162

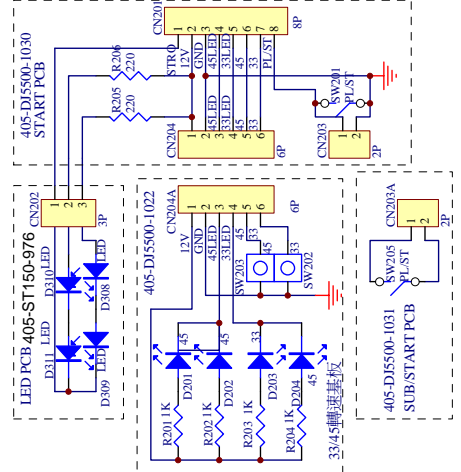
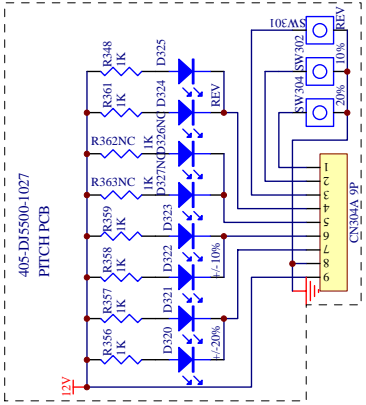
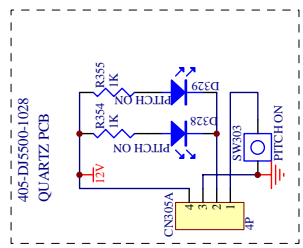


APPROVED	CHECKED	DRAWING
		蔡春柳 23-Dec-2003
HANPIN ELECTRON CO.,LTD		
Title: 405-DJ5500G-1162 POWER PCB		
Size: A4	Sheet: 1 of 1	Revision: 1
Date: 23-Dec-2003	File: Double ac-1174b.Sch	

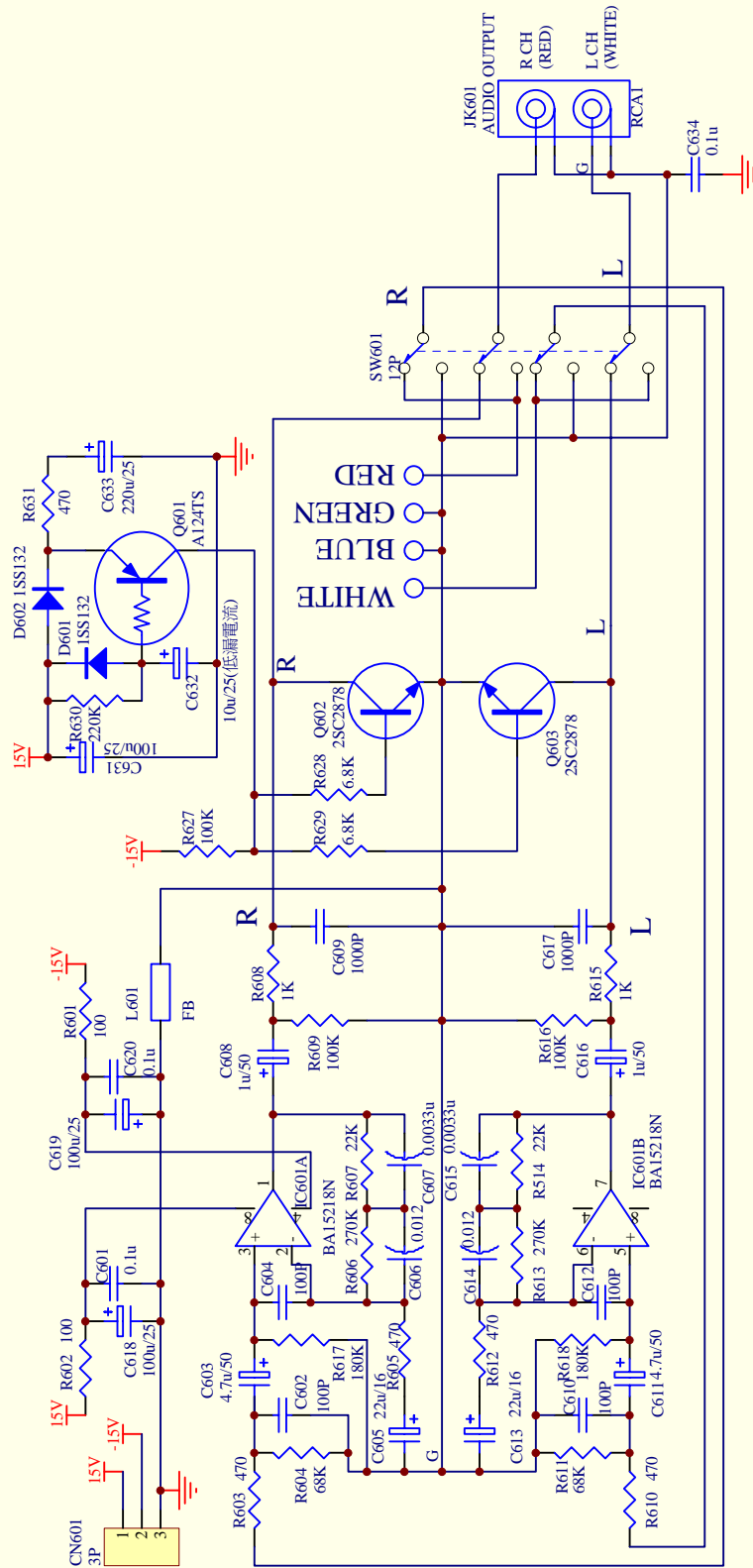


405-DJ5500-1025 MAIN PCB

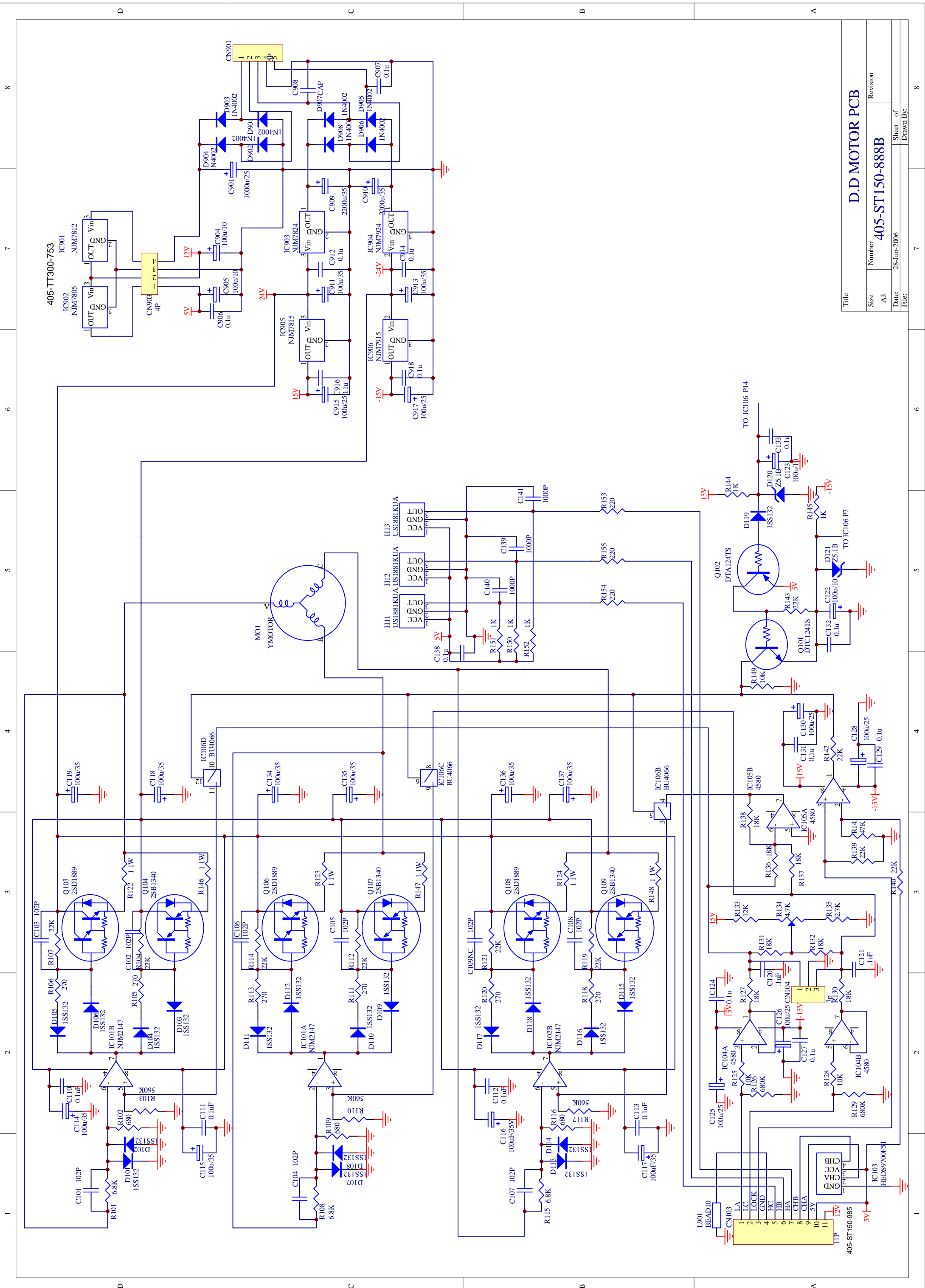
NORMAL  
 SW301=REV  
 SW302=+/-10%  
 SW303=+/-20%  
 SW304=+/-50%  
 MASTER TEMPO  
 SW301=REV  
 SW302=+/-10%  
 SW303=+/-20%  
 SW304=MASTER TEMPO



Title		MAIN PCB	
Size	A3	Number	405-DJ5500-1025
Date:	25-Jun-2006	Sheet of	1
Drawn By:			

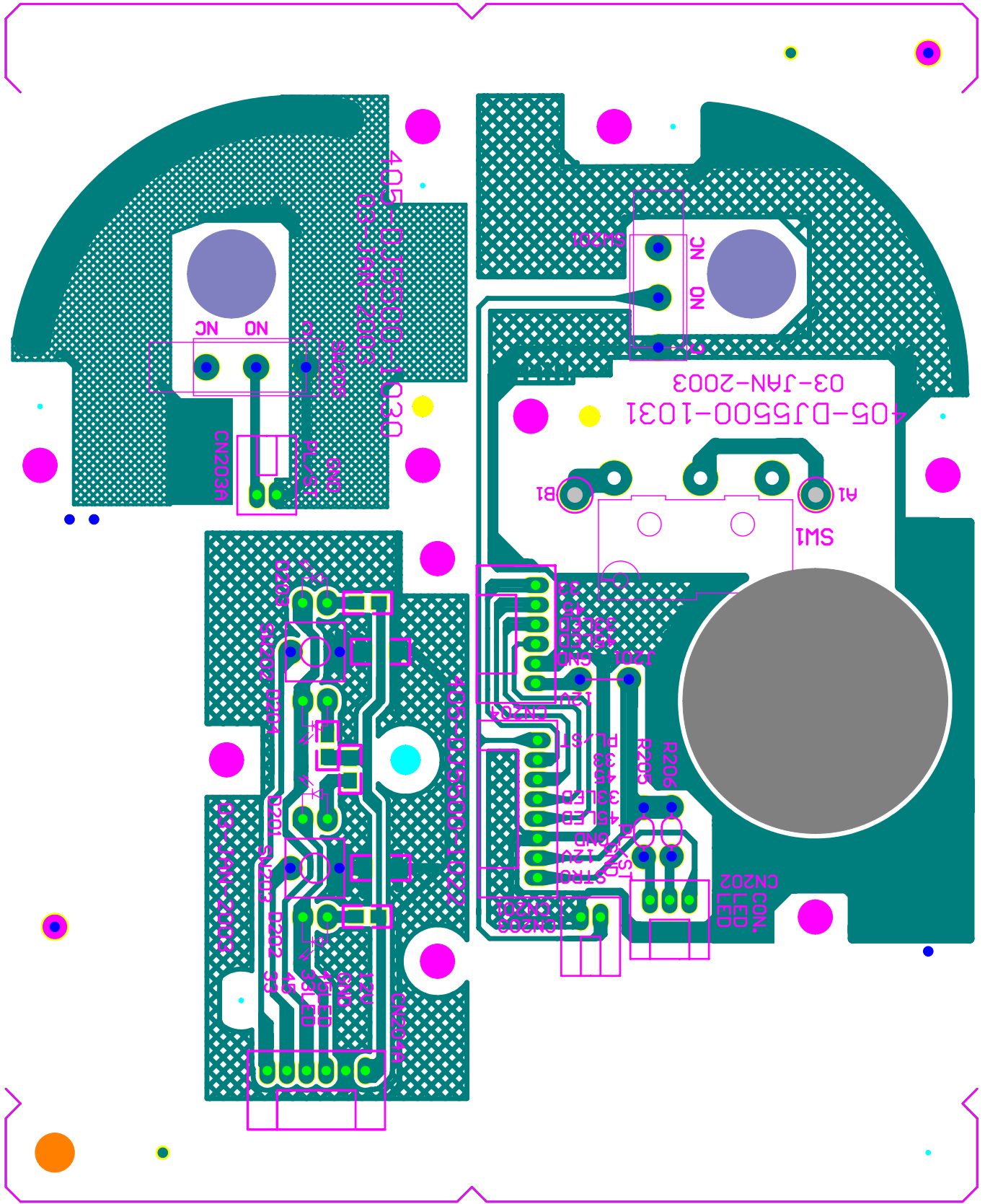


APPROVED	CHECKED	DRAWING
HANPIN ELECTRON CO.,LTD		
Title: DJ5500F PHONO/LINE		
Size:	Number:	Revision:
DATE: 10-Jul-2006		File:



Title		D.D MOTOR PCB	
Size	A3	Number	405-ST150-888B
Date:	28-Jun-2006	Revision	
File:		Sheet of	8
		Drawn By:	

405-DJ5500-1022/1030/1031 □  
SPEED/SUB-START /START/STOP PCB

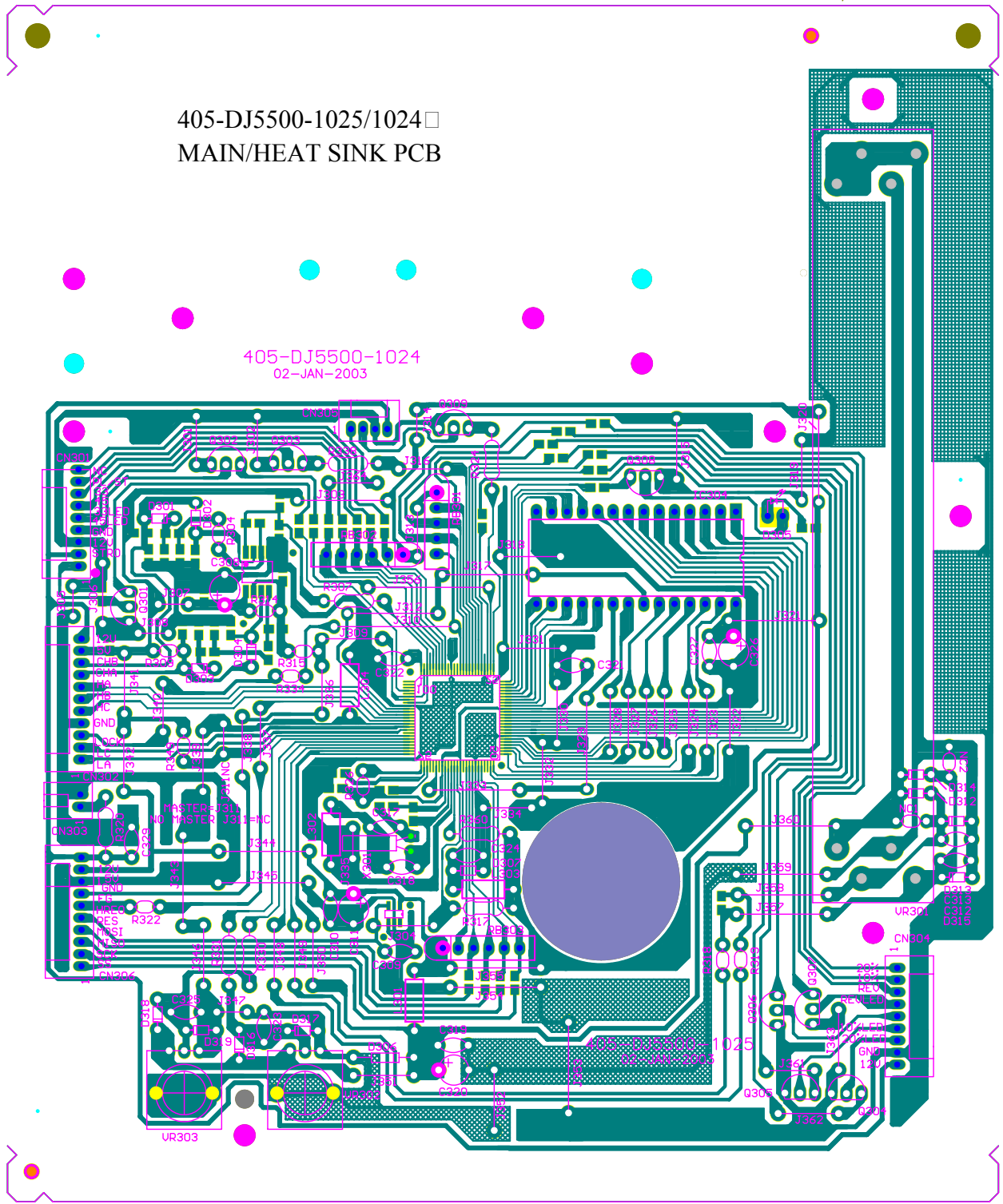




X133/Y193

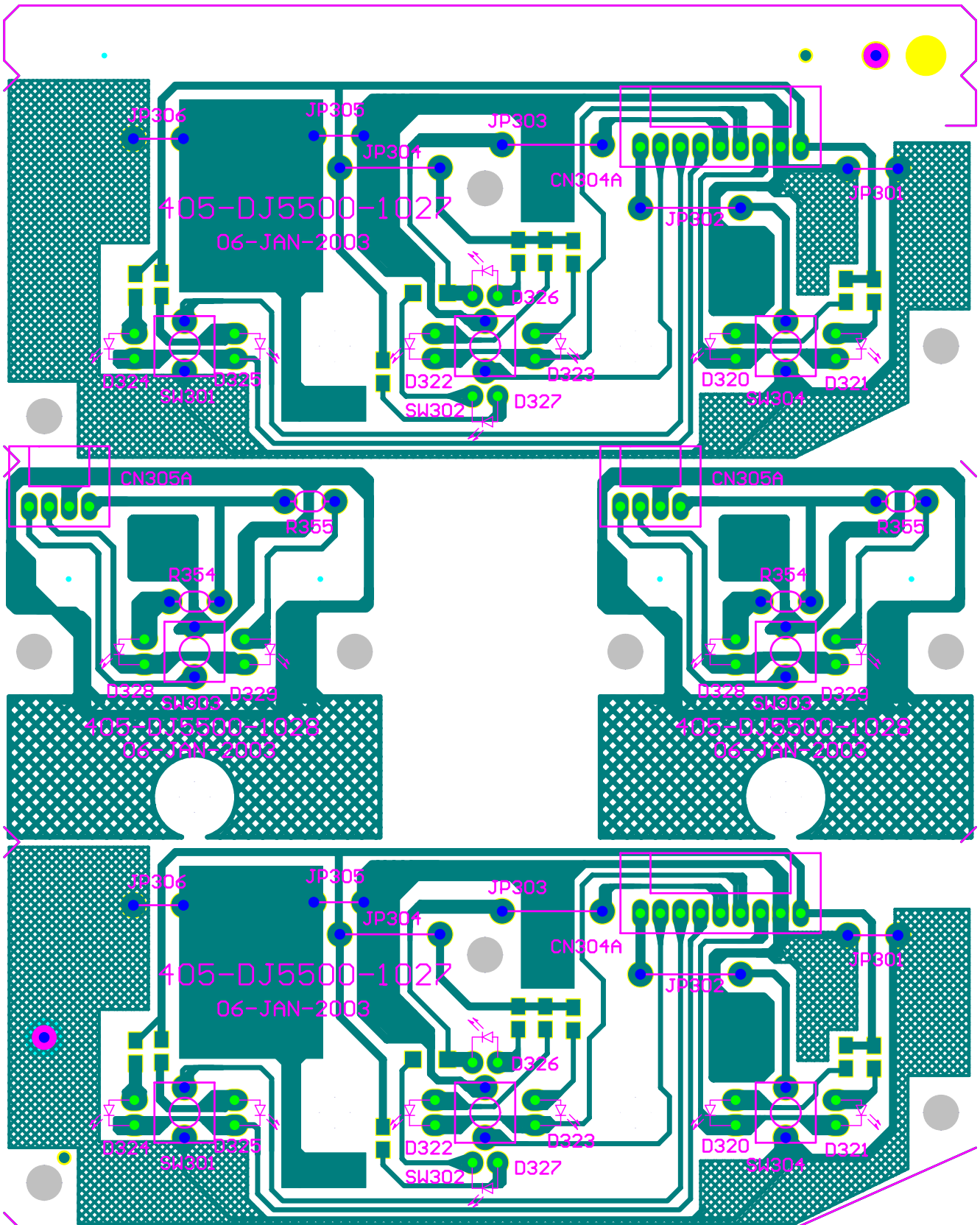
405-DJ5500-1025/1024 □  
MAIN/HEAT SINK PCB

405-DJ5500-1024  
02-JAN-2003

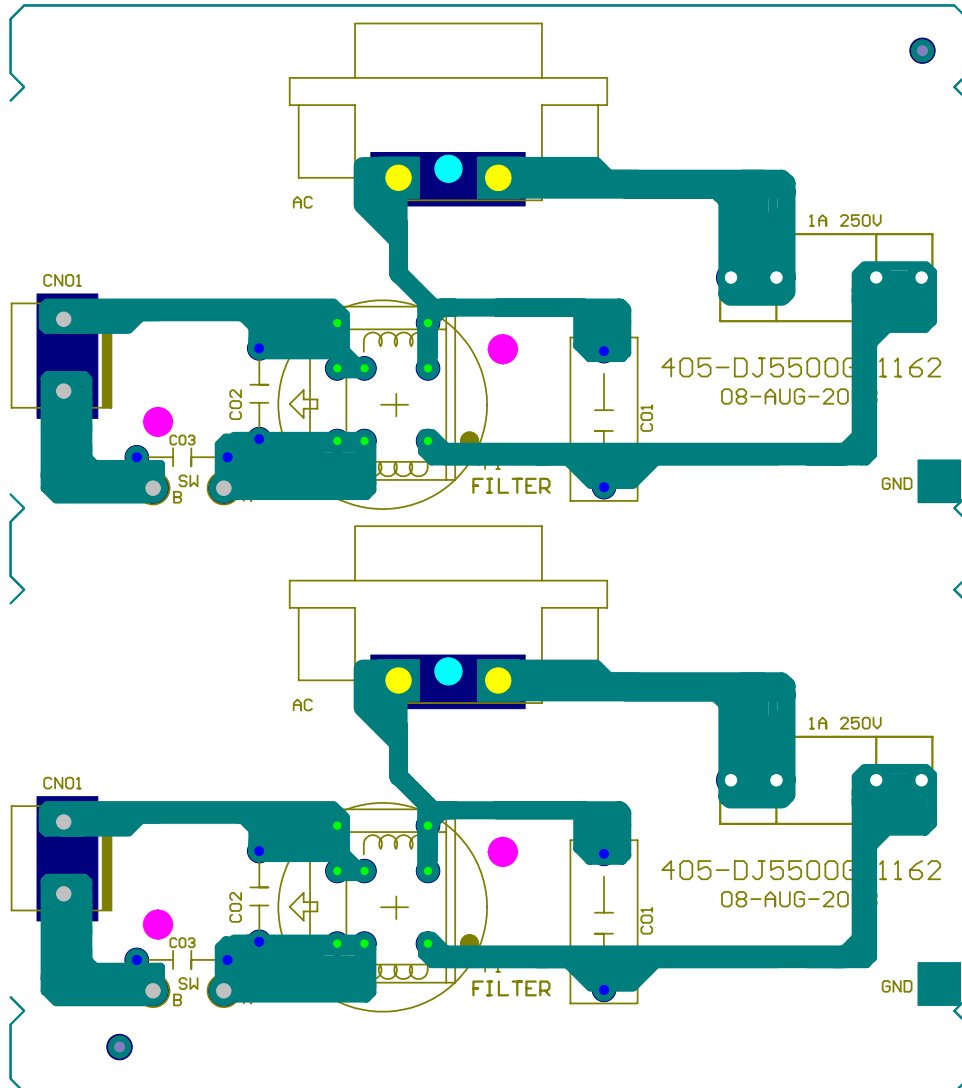


X4/Y5

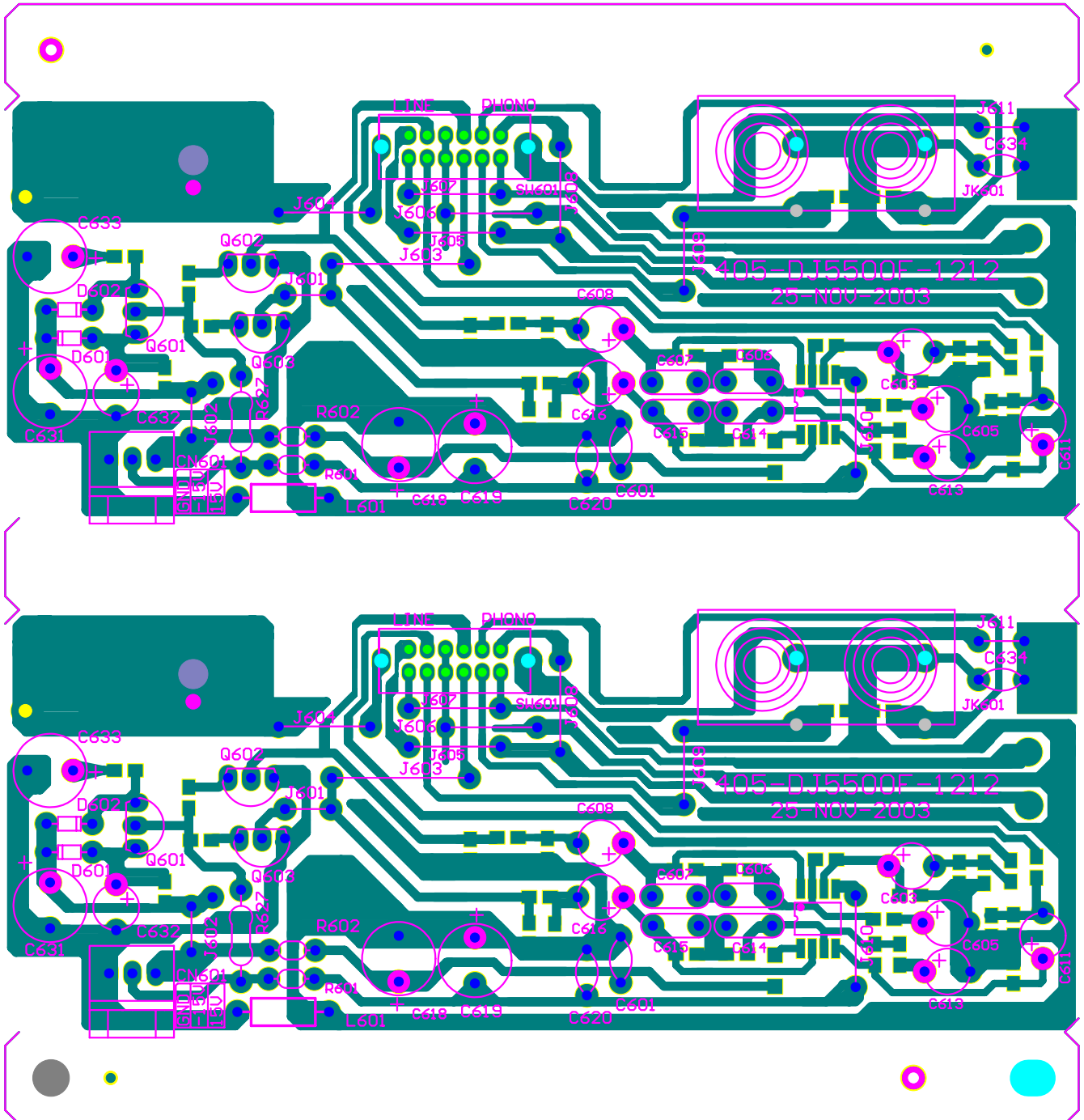
405-DJ5500-1027/1028 □  
PITCH / QUARTZ PCB □



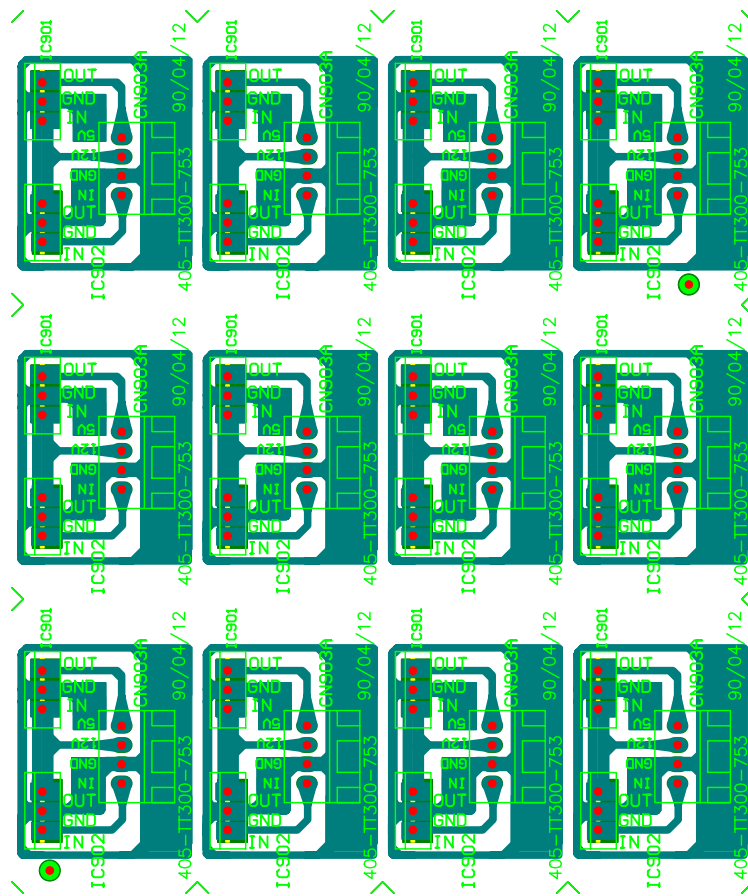
405-DJ5500G-1162 □  
POWER PCB □



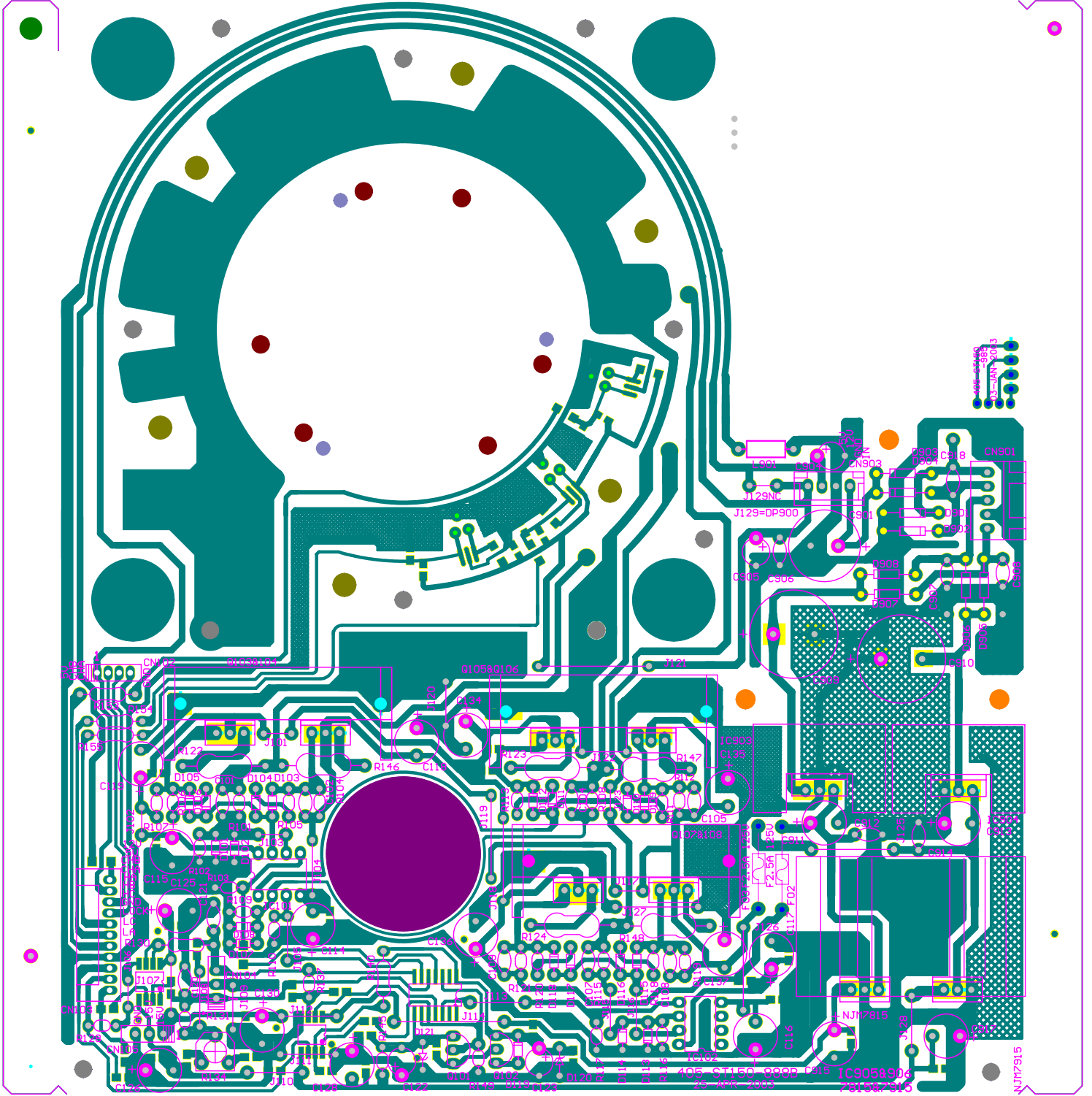
405-DJ5500F-1212 □  
OUTPUT PCB



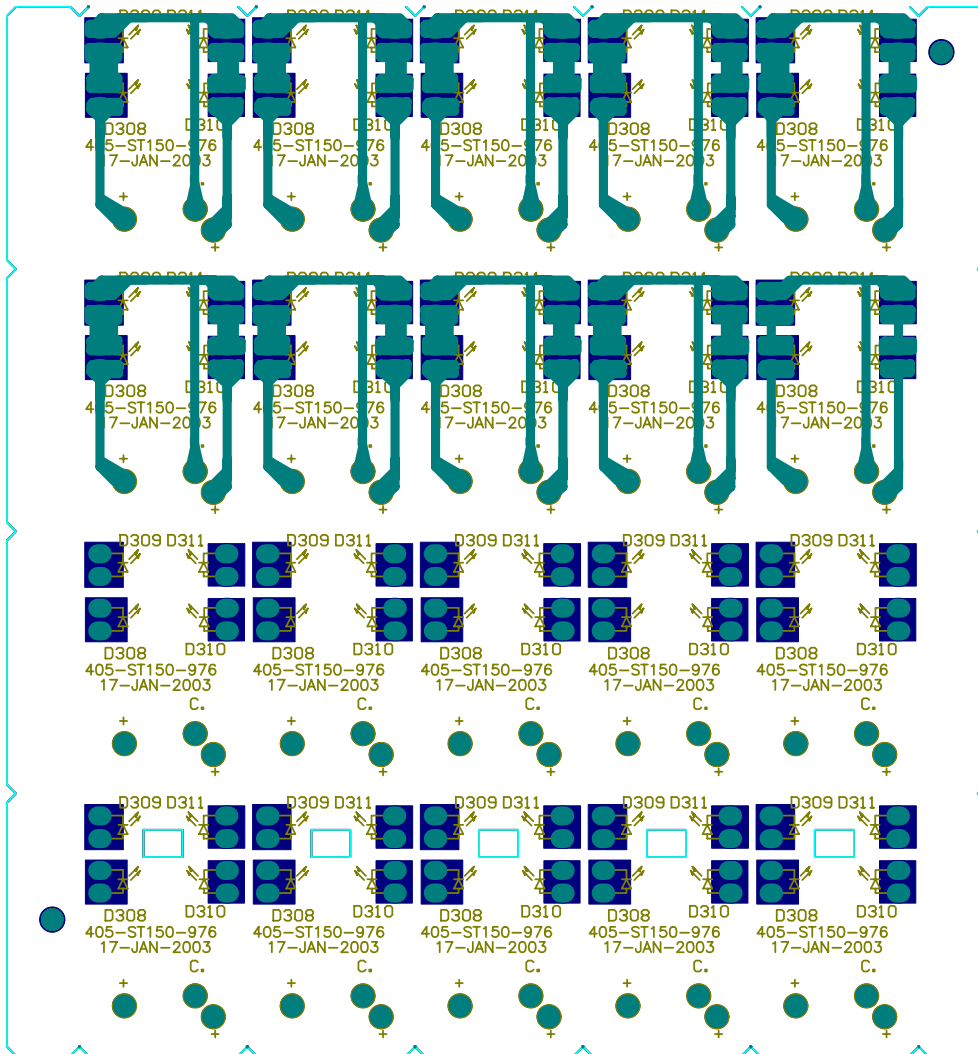
405-TT300-753 □  
DC PCB



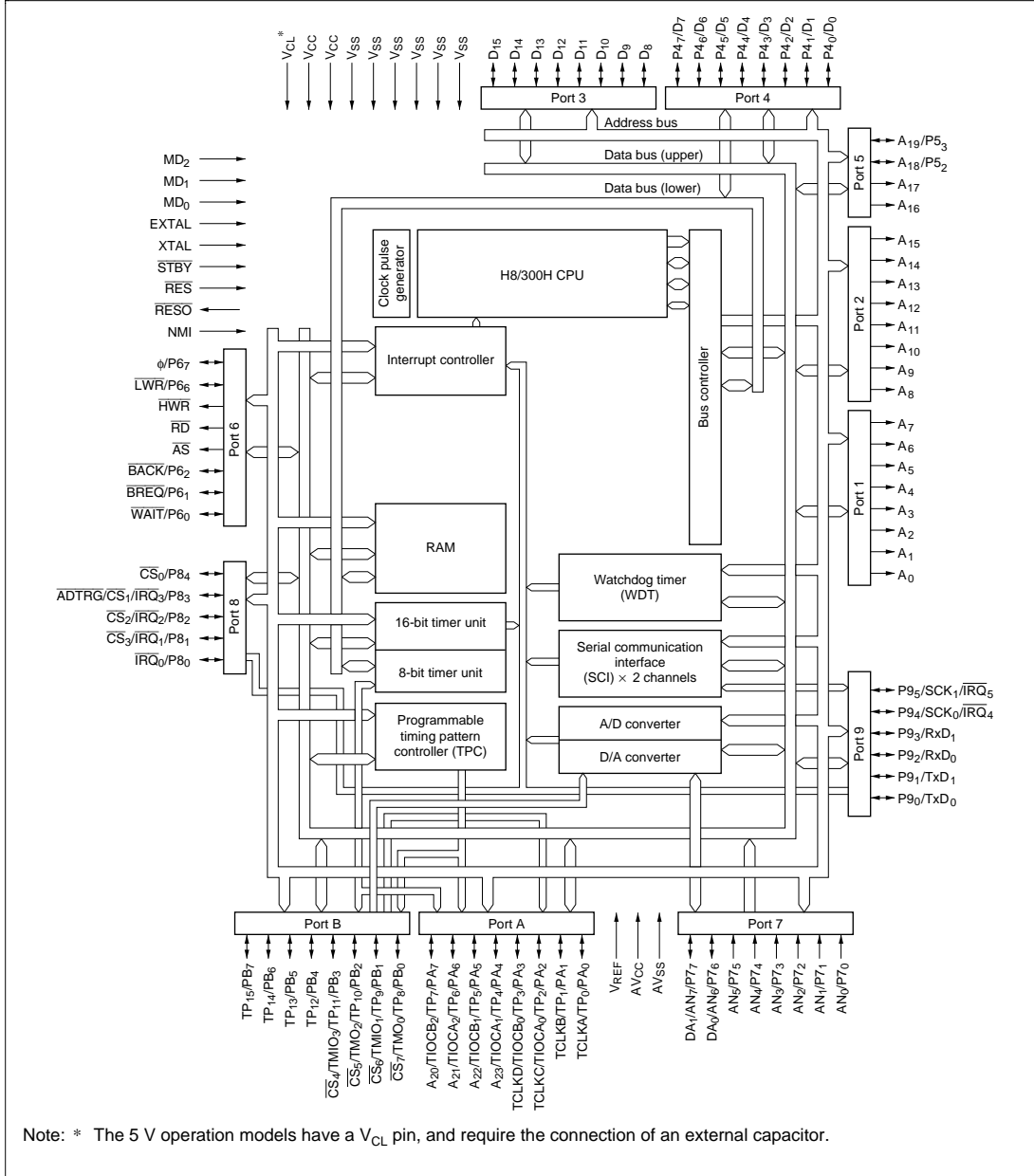
405-ST150-888B/985□  
D.D.MOTOR/SENSOR PCB□



405-ST150-976□  
LED PCB

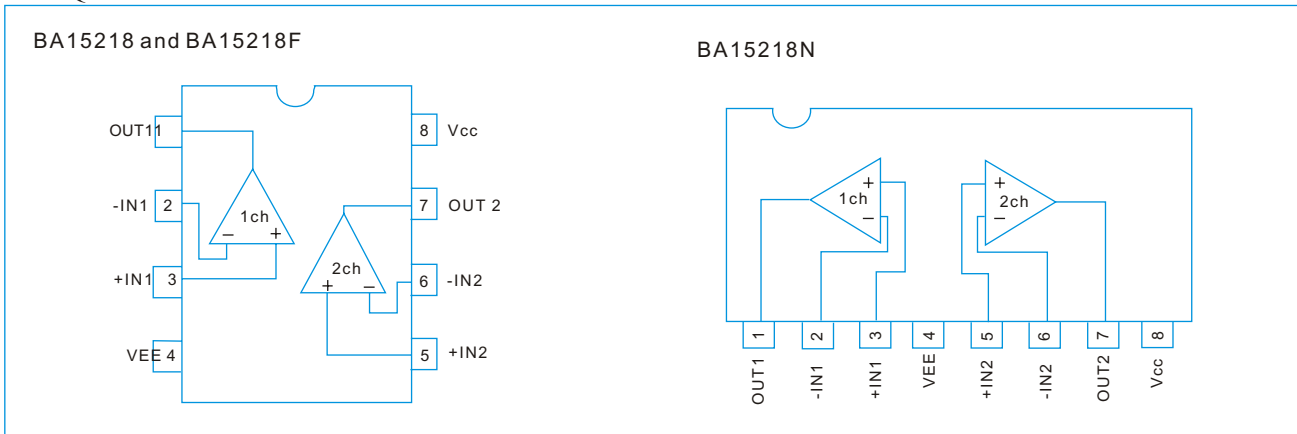


417-DJ5500-578  
MAX003



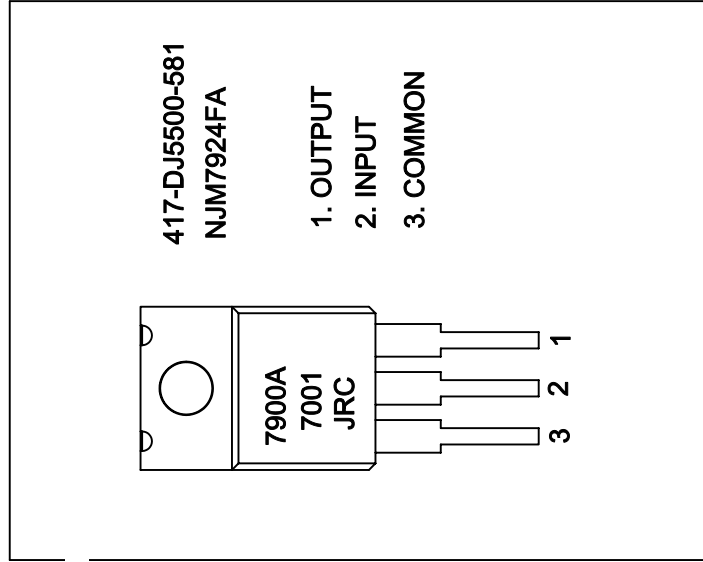
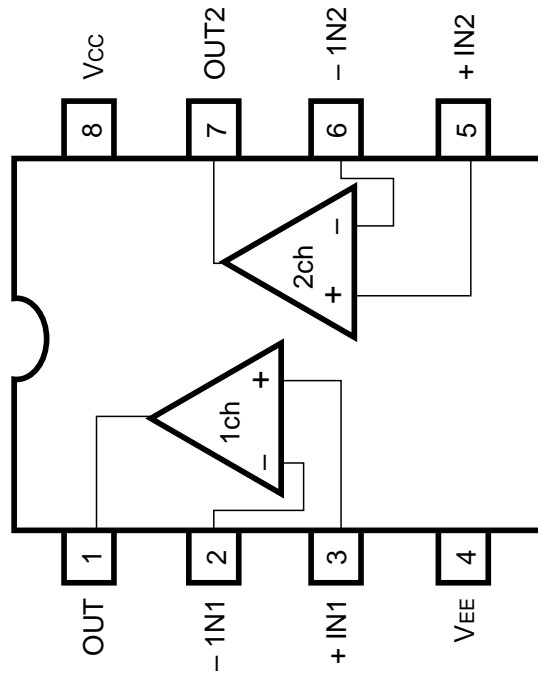


417-QMX2-167



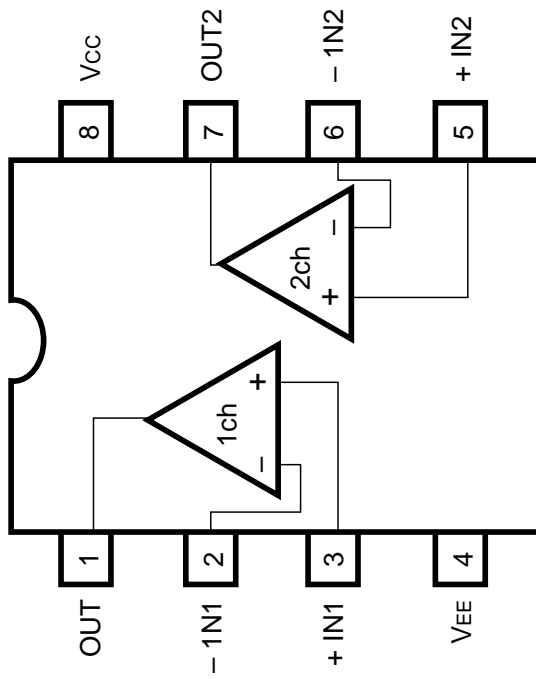
417-DJ5500-579(NJM2147D)

417-ST1150-599(NJM4580M)

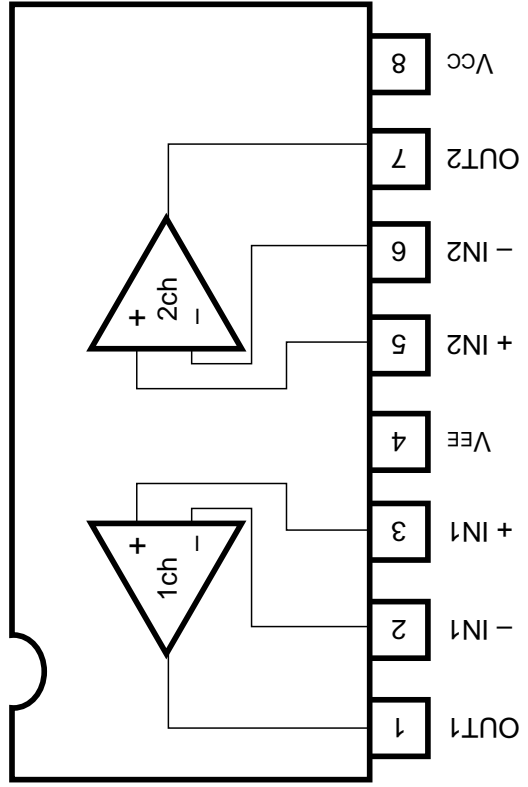


● Block diagram 417-DV330-197

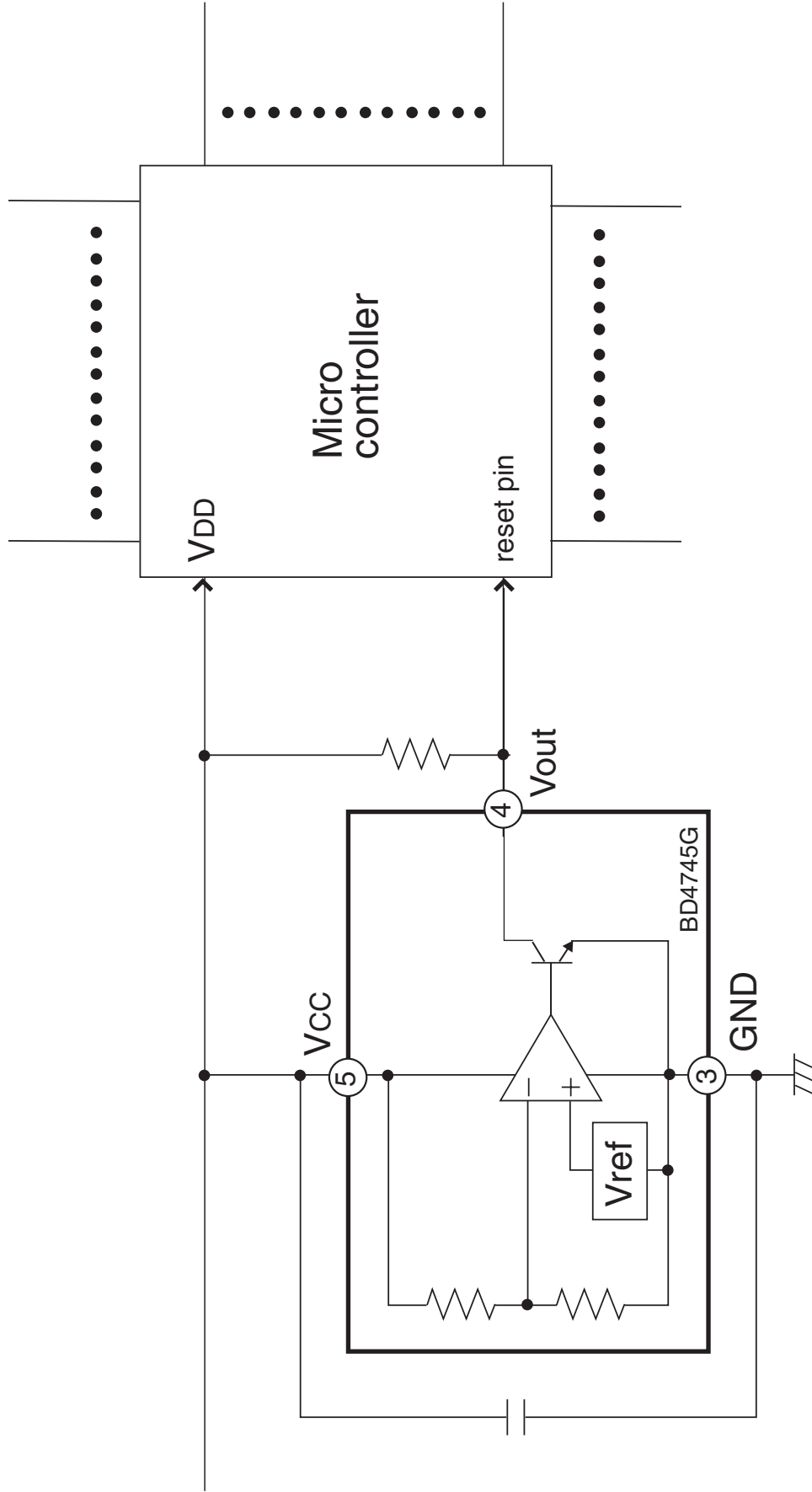
**BA10358 / BA10358F / BA10358FV**



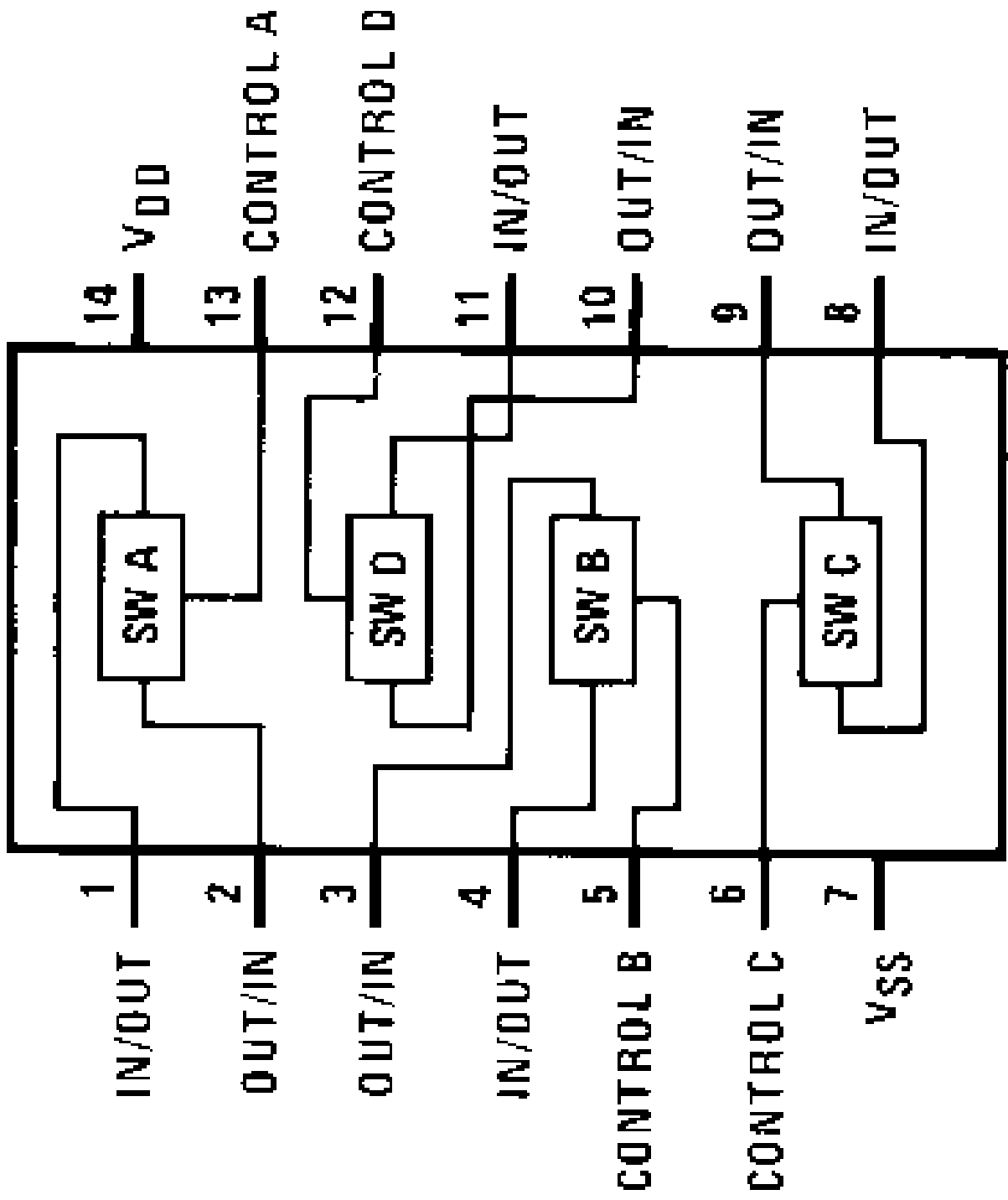
**BA10358N**



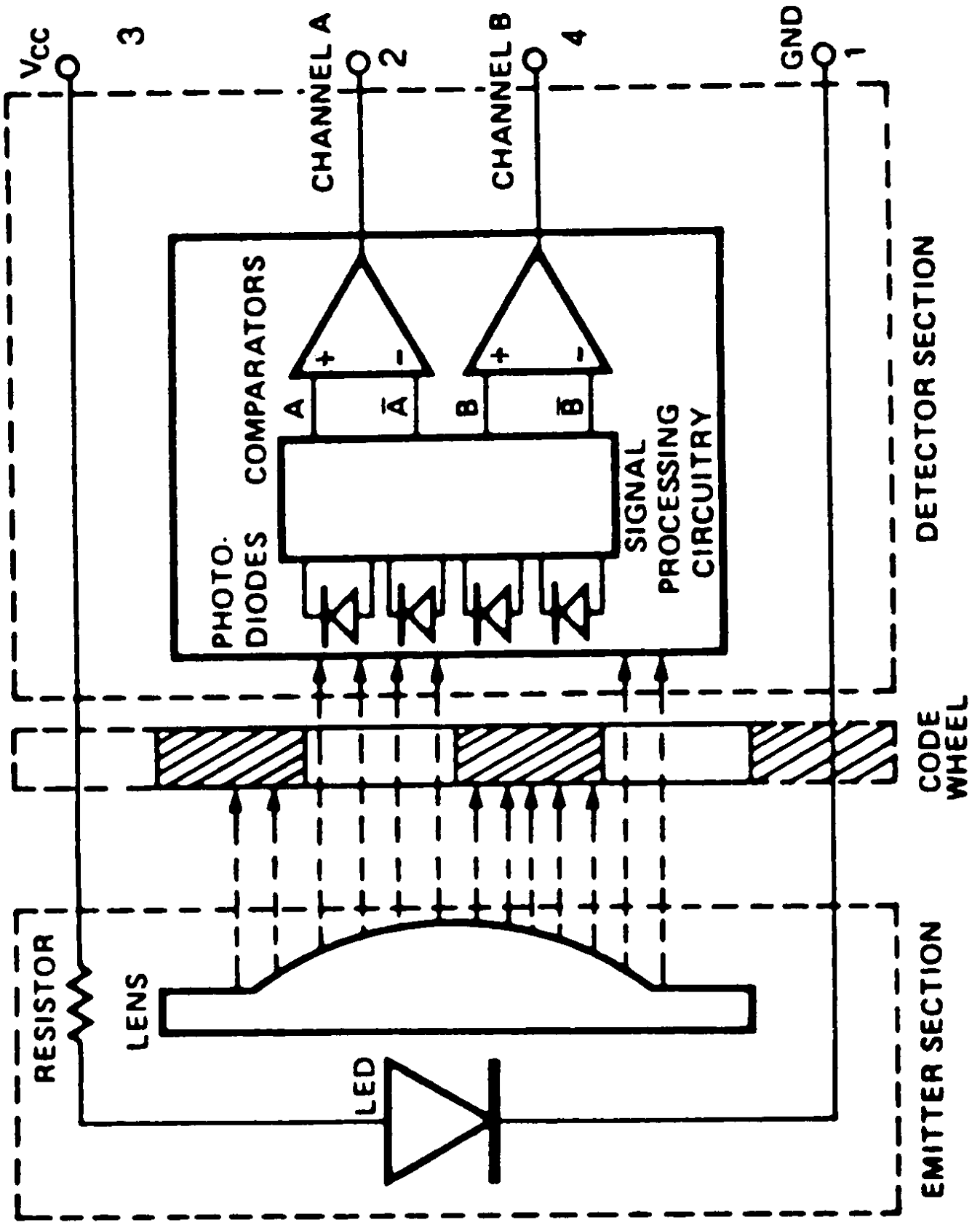
BLOCK DIAGRAM Circuit 417-HDJ2000-503



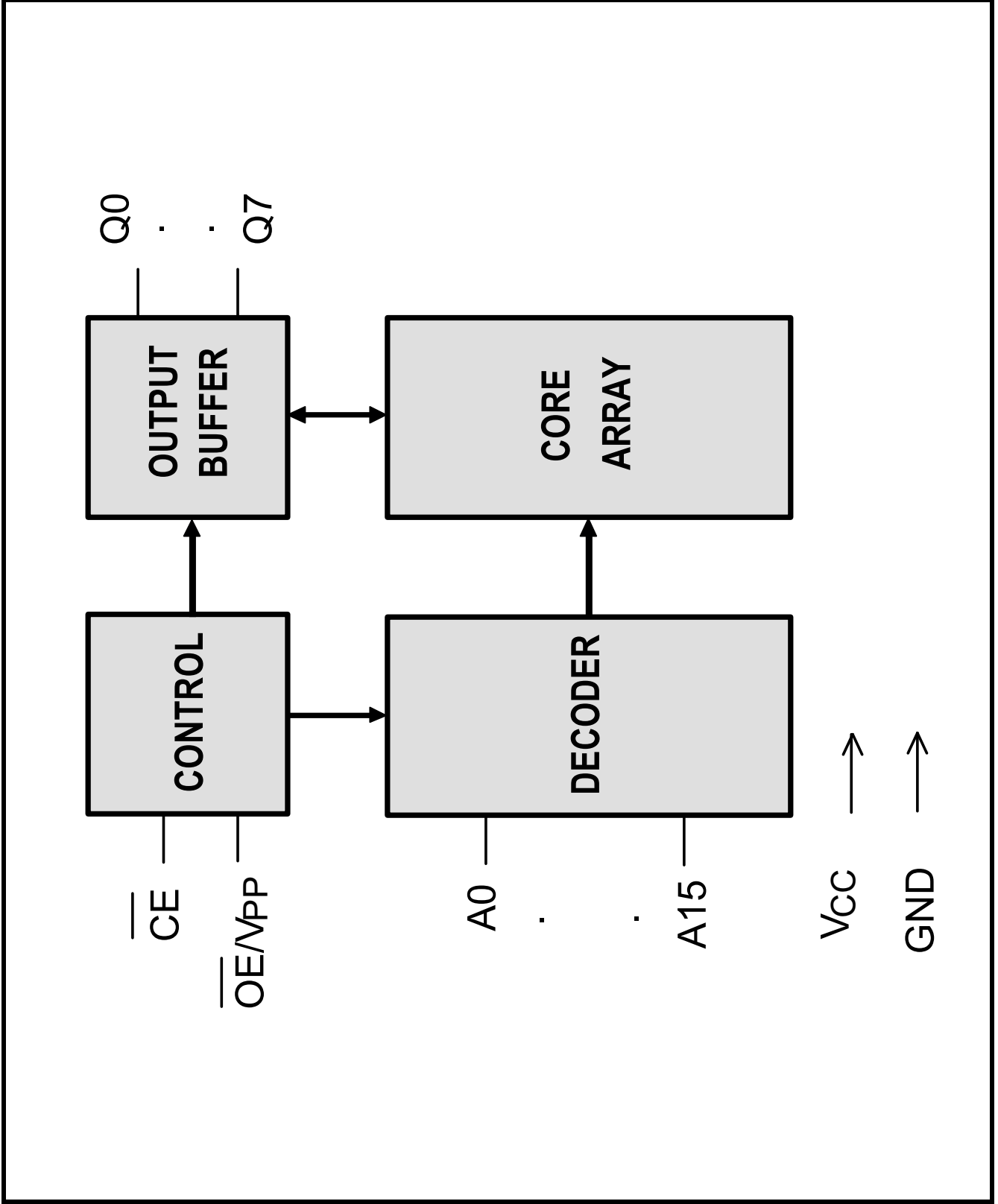
# 417-QMX2-190

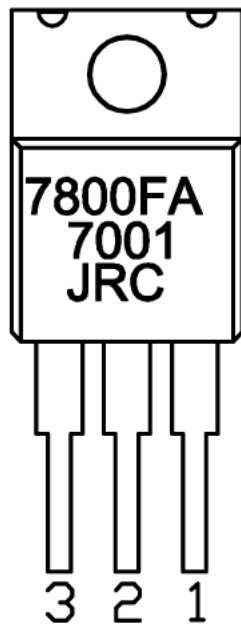


417-PS2-504



# BLOCK DIAGRAM 417-HV3500K-244



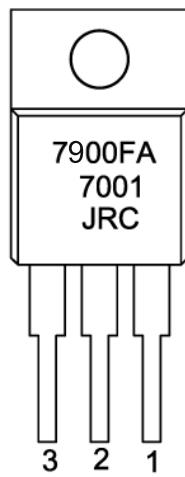


417-KC730-123(7805)  
417-DV330-216(7815)  
417-DJ3000-336(7818)

## NJM7800FA

1. OUTPUT
2. COMMON
3. INPUT

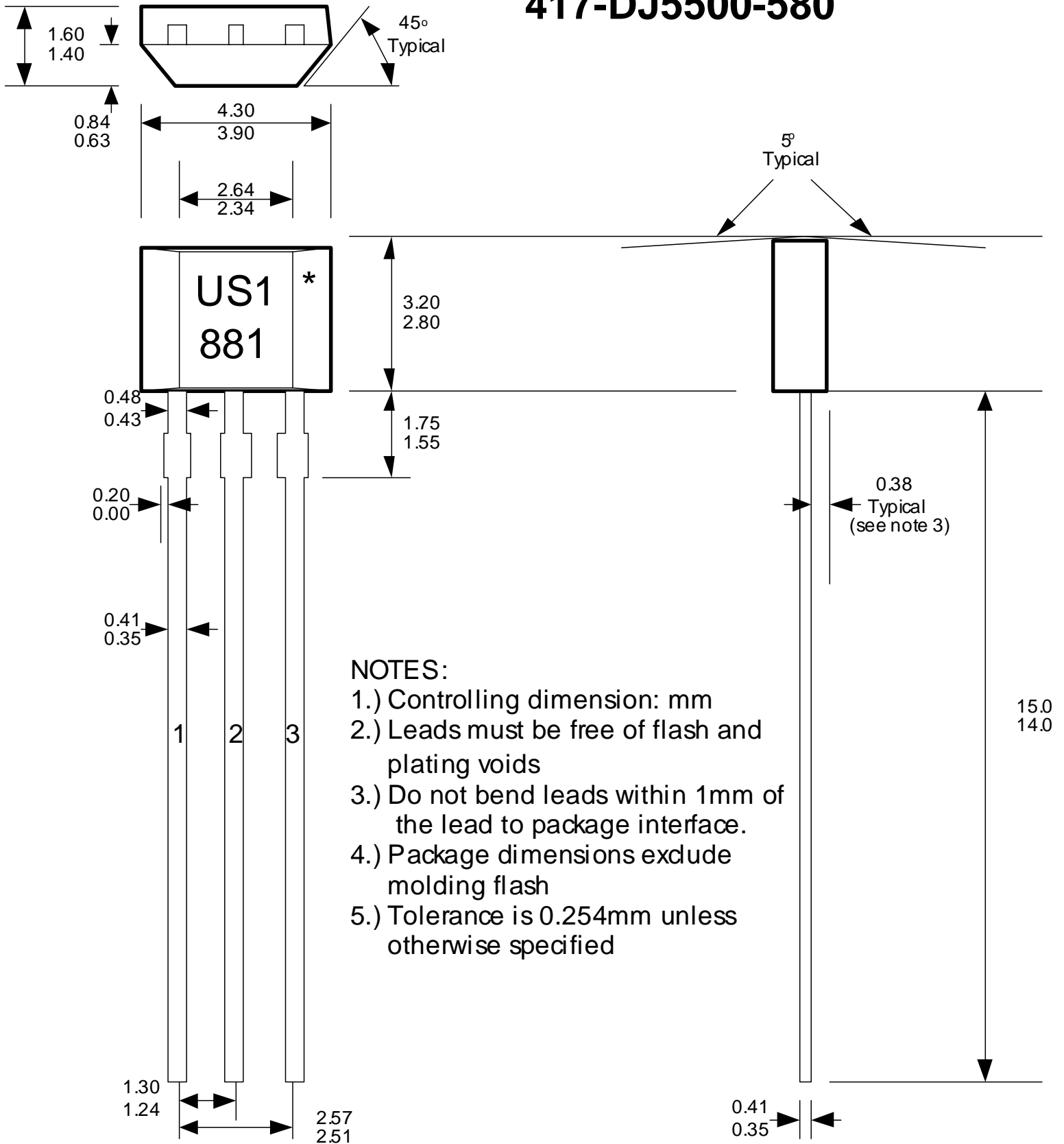


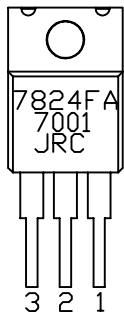


417-RCC955A-291(7915)  
417-DJ5000-641(7918)

**NJM7900FA**  
1. OUTPUT  
2. COMMON  
3. INPUT

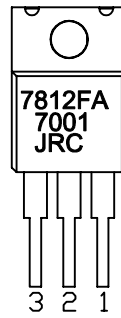
# 417-DJ5500-580





417-DJ2500-268  
NJM7824FA

- 1. OUTPUT
- 2. COMMON
- 3. INPUT



417-BJ1900L-231  
NJM7812FA

- 1. OUTPUT
- 2. COMMON
- 3. INPUT

## Trouble Shooting

Make sure of the followings before you consider as any malfunctions:

1. Are all the connections correct?
2. Is the set being operated correctly in accordance with the operating instructions:
3. Are the speakers and amplifiers function correctly?

<i>SYMPTOMS</i>	<i>CHECK</i>
Stylus dose not lower onto record	Is the stylus pressure properly adjusted? Is the arm's horizontal balance adjusted?
No sound is produced	Are the cartridge and head shell properly connected? Are the output cords properly connected to the amplifier? Are the amplifier's adjustments and settings correct?
Booming sound is heard	Is the ground wire on the output cord connected? Are the output cord's plugs securely connected? Is the head shell' lock nut securely tightened?
Stylus skips	Is the stylus pressure properly adjusted? Is the record warped or scratched? Is there dust on the stylus?
Arm stops halfway across the record	Is the record scratched? Is the arm hitting some object?
Sound is too weak or too strong	Is the amplifier's connection selector (MC or MM) set to the proper setting for the type (output) of the cartridge being used?