

SERVICE MANUAL

MODEL NO.: RMX-20

Contents

<i>Specification</i>	<i>1</i>
<i>Block Diagram</i>	<i>2</i>
<i>Point To Point Diagram</i>	<i>3</i>
<i>Exploded View</i>	<i>4</i>
<i>Exploded View Part List</i>	<i>5</i>
<i>Electrical Part List</i>	<i>6-14</i>
<i>IC Block Diagram</i>	<i>15-17</i>
<i>Package View & Part List</i>	<i>18</i>
<i>Schematic Diagram</i>	<i>19-22</i>

GENERAL SPECIFICATION

1. Power consumption 25 Watts w/full headphone output.
2. Dimensions 254 (W) x 315 (D) x 87 (H) mm
3. Headphone impedance 32 Ohms
4. Weight 3.2Kgs
5. Input/output sensitivity (Level/Impedance)

Line	10K OHM / -14dB (200mV)	+2/-3dB
Phono	47K OHM / -50dB (3mV)	+/-3dB
Microphone	3K OHM / -54dB (2mV)	+/-3dB
Master output	1K OHM / 0dB (1V)	+/-3dB
Rec output	1K OHM / -8dB (398mV)	+/-3dB
Phones	33 OHM / -3dB (0.7V)	+/-3dB (Load=32 OHM)
Master XLR output	+6dB (2V) / [0dB (1V) single to GND] / 600 OHM	+/-3dB

Note : 0dB=1Vrms, Load 47K Ohms.
6. Maximum output (Load=47K Ohms, T.H.D.=5%)

Master output	More than 18dB (8V)
Rec output	More than 8dB (2.5V)
Phones (Load=33 OHMS)	More than 5dB (1.7V)
7. Channel balance Within 3dB
8. Frequency response

Line	20Hz - 20KHz +2dB/-3dB
Phono	20Hz - 20KHz +2dB/-3dB
Microphone	20Hz - 20KHz +2dB/-3dB
9. Output noise (IEC-A,Weighted)

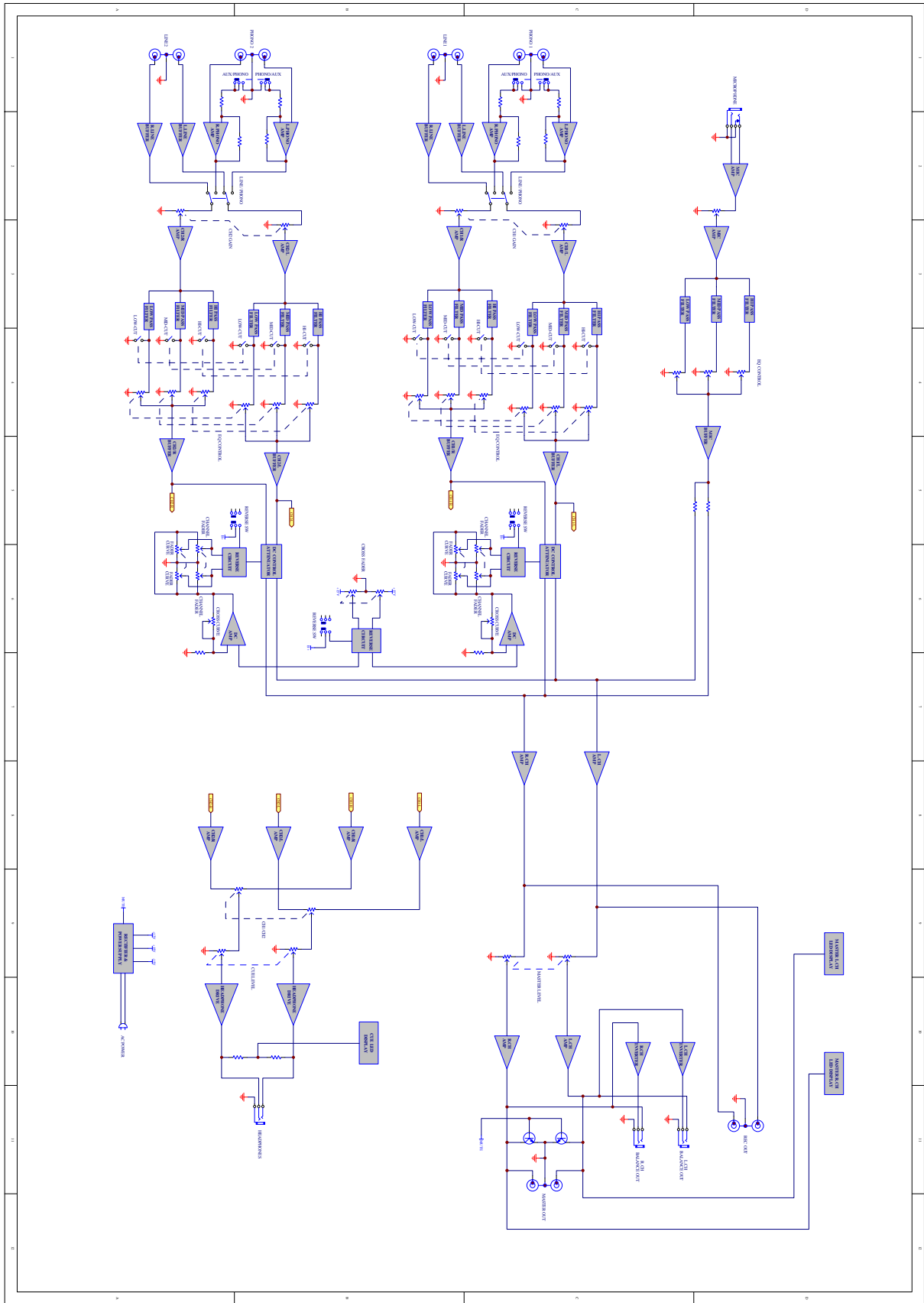
Line	Less than -77dB
Phono	Less than -65dB
Microphone	Less than -60dB
10. T.H.D (1KHz 0dB Output)

Master output	Less than 0.05% (20~20KHz BPF, Load=47K OHMS)
Phones	Less than 0.3% (20~20KHz BPF, Load=33 OHMS)
11. Crosstalk More than 60dB at 1KHz between L and R channels (20~20KHz BPF)
12. Mic/Channel equalizer

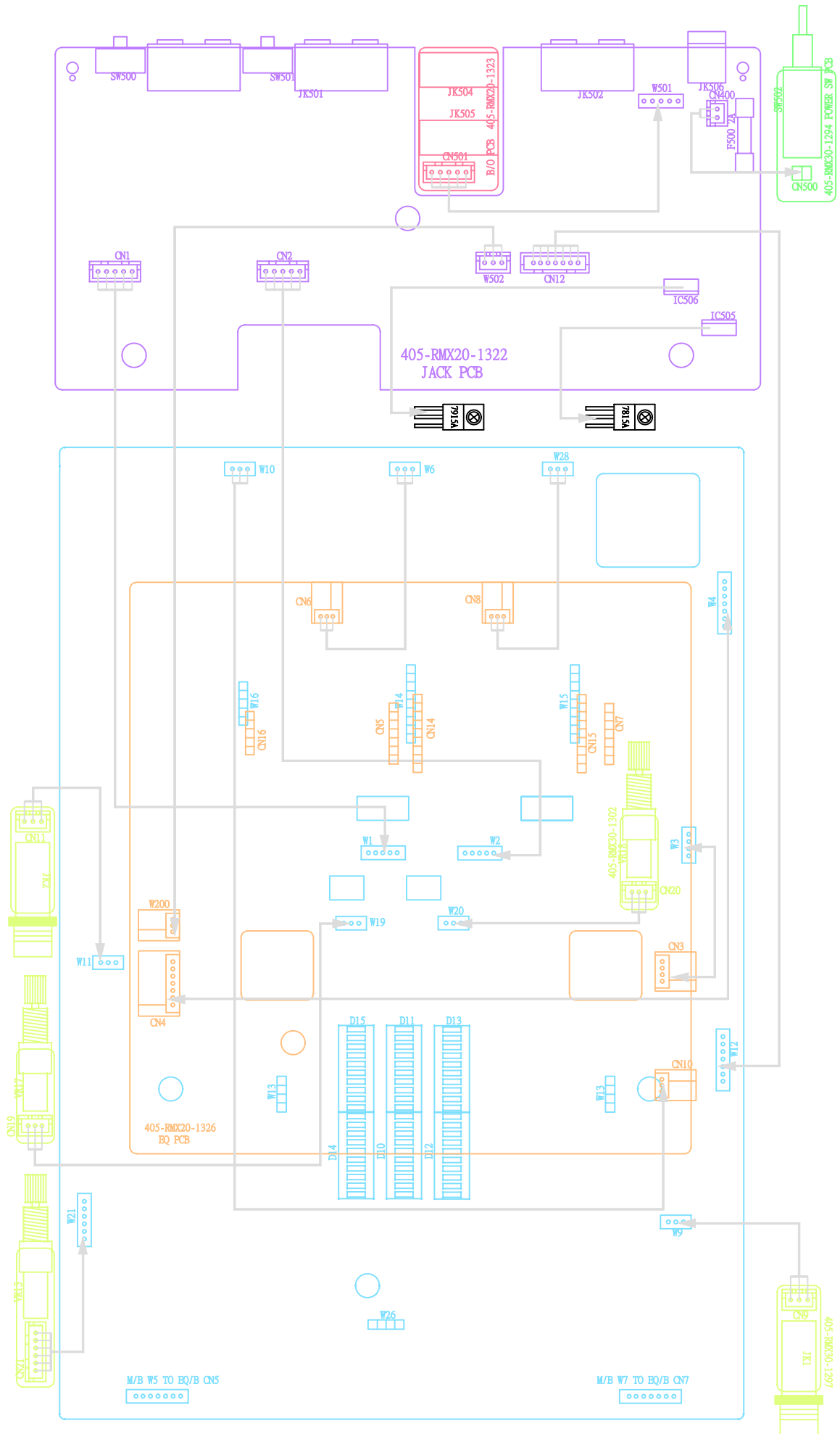
Bass	+10 ± 3dB / Less than -35dB at 70Hz
Mid	+10 ± 3dB / Less than -35dB at 1KHz
Treble	+10 ± 3dB / Less than -35dB at 13KHz
13. Frequency kill

Low cut	Less than -35dB at 70Hz
Mid cut	Less than -35dB at 1KHz
Hi cut	Less than -35dB at 13KHz

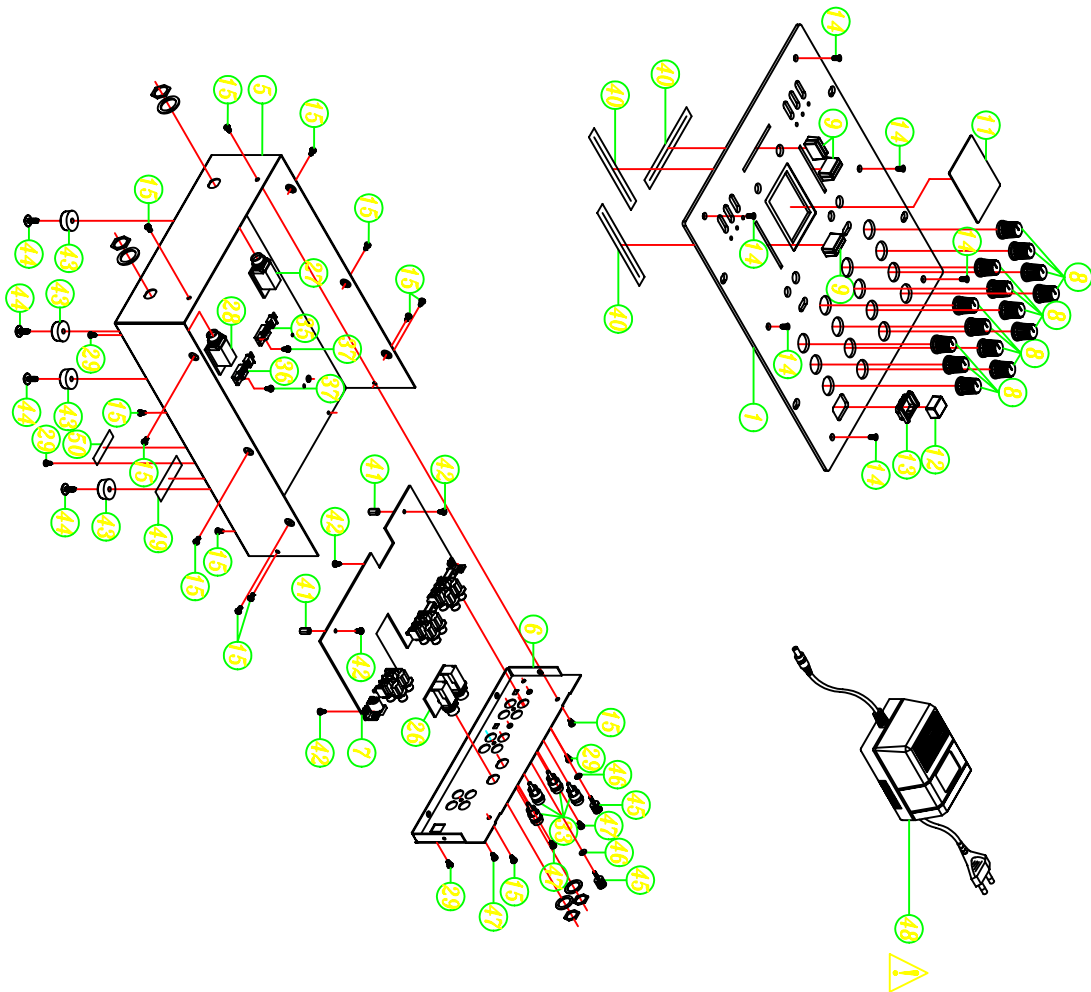
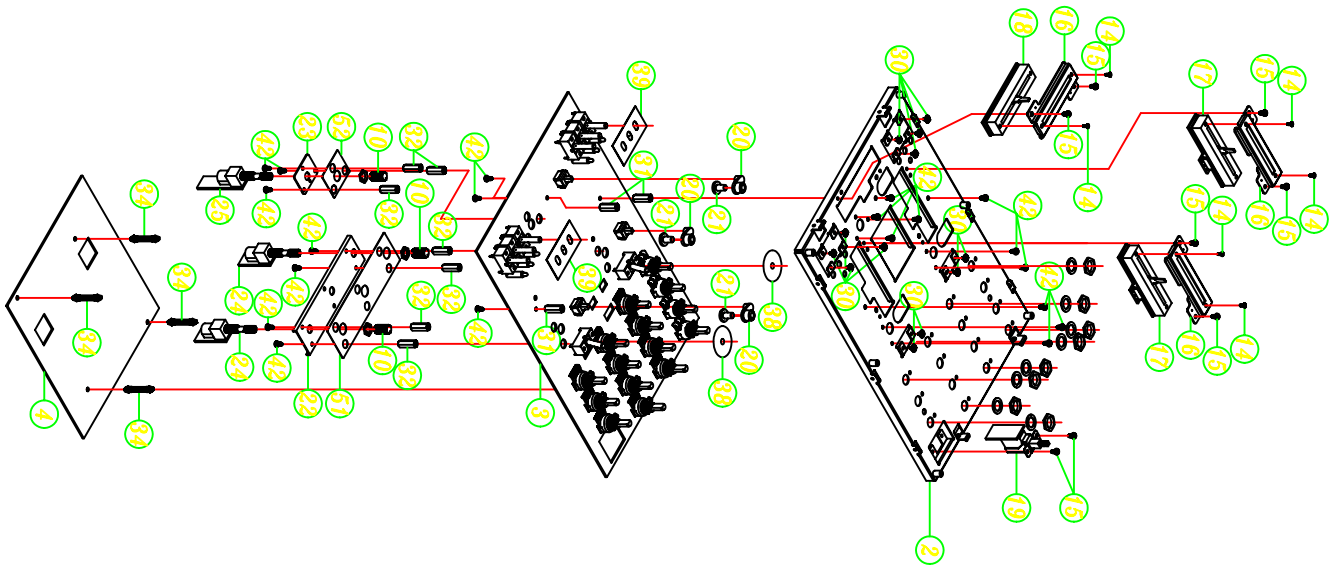
BLOCK DIAGRAM



POINT TO POINT DIAGRAM



EXPLODED VIEW



EXPLODED VIEW PART LIST

REF. NO.	DESCRIPTION	PART NO.	Q'TY	REMARK
1	FRONT PANEL	300-RMX20-1140	1	
2	FRONT BOARD ASS'Y	703-RMX20-870	1	
3	MIXER PCB ASS'Y	704-RMX20-5182	1	
4	EQ PCB ASS'Y	704-RMX20-5184	1	
5	BOTTOM BASE	300-RMX20-1142	1	
6	BACK BOARD	300-RMX20-1137	1	
7	OUTPUT PCB ASS'Y	704-RMX20-5180	1	
8	ROTATE KNOB(SEMICIRCLE)	100-SCX2-2211	15	
9	PUSH KNOB(LARGE)	100-SCX2-2212	3	
10	VR SHEATH	300-SCX2-1125	3	
11	LED DECORATION	501-RMX20-1752	1	
12	POWER KNOB	100-RMX50-1641	1	
13	KNOB PROTECTOR	100-RMX50-1642	1	
14	SCREW(CTF,3*7)	602-AKS4-496B	12	
15	SCREW(BTB,3*5,ZB)	602-QMX2BPM-322	22	
16	VR FIXED PLATE	300-SCX2-1133	3	
17	CH VR PCB ASS'Y	704-RMX20-5186	2	
18	FADER PCB ASS'Y	704-RMX30-5129	1	
19	SW PCB ASS'Y	704-RMX20-5185	1	
20	PUSH KNOB	100-Q3433-2208	3	
21	THROW GRANULE	100-Q2411-2206	3	
22	EFFECT FIXED PLATE(LARGE)	300-RMX30-1138	1	
23	EFFECT FIXED PLATE(SMALL)	300-RMX30-1139	1	
24	IF CURVE VR(10K) PCB ASS'Y	704-RMX30-5131	2	
25	CF CURVE VR PCB ASS'Y	704-RMX30-5132	1	
26	B/O PCB ASS'Y	704-RMX20-5181	1	
27	MIC PCB ASS'Y	704-RMX20-5183	1	
28	PHONE PCB ASS'Y	704-RMX30-5134	1	
29	SCREW(M3*P0.5*5L)	602-MP3-324	4	
30	SCREW(2.6*4 P=0.45)	602-MK7-134	12	
31	SLEEVE(6*10.2L)	200-HPR1-331	3	
32	FIXED PILLAR(SHORT)	200-SCX2-437	7	
33	RCA ADAPTOR PLUG(A028)	420-Q3433-106	4	
34	SPACER SUPPORT(KCA-19)	504-Q2221-078	4	
35	IC(NJM7815FA 3PIN)	417-DV330-216	1	
36	IC(NJM7915FA)	417-RCC955A-291	1	
37	SCREW (BTB 3*6ES ,BLACK)	602-CDC2050-345	2	
38	CUSHION(28*4.8*0.5t)	612-Q2422-102	2	
39	CUSHION(26*10mm,t=0.5mm)	612-HPT1-163	2	
40	HIMILON	612-HDJ100-045	3	
41	FIXED PILLAR FOR OUTPUT	200-RMX30-438	2	
42	SCREW(3*5 P=0.5)	602-B300-041	24	
43	RUBBER FOR FOOT(PVC,70%)	604-BEAT4-238	4	
44	SCREW(STB,4*8,ZB)	602-BEAT4-440	4	
45	GROUND PIN	200-DJ100-231	2	
46	WASHER(8*3.2*1t,NI)	606-Q2221-122	2	
47	SCREW(3*10 ZK PTP)	602-MK7-131	3	
48	TRANSFORMER(AC230V,50Hz,EI-48,EN61558/CE(EMC.LVD))	411-T1-300	1	
49	RATING LABEL	501-RMX20A-1249	1	
50	SERIES NO. LABEL	501-DV300-1067	1	
51	SEPARATELY SLICE(LARGE)	501-RMX30-1773	1	
52	SEPARATELY SLICE(SMALL)	501-RMX30-1775	1	

FRONT BOARD & MIXER PCB ASS'Y PART LIST

REF. NO.	DESCRIPTION	PART NO.	Q'TY
	FRONT BOARD & MIXER PCB ASS'Y	704-RMX20-5187	1
	SLEEVE(6*10.2L)	200-HPR1-331	3
	SPACER SUPPORT(H-20)	504-RMX30-157	6
	SCREW(3*5 P=0.5)	602-B300-041	13
	SCREW(2.6*4 P=0.45)	602-MK7-134	12
	SCREW(BTB,3*5,ZB)	602-QMX2BPM-322	8
	PLASTIC SCREW(S-306-N66)	602-SPANDMK2-536	12
	FRONT BOARD ASS'Y	703-RMX20-870	1
	SHAFT	200-SCX2-435	6
	FRONT BOARD	300-RMX20-1141	1
	MIXER PCB ASS'Y	704-RMX20-5182	1
SW9-11	PUSH SW(SPEA12MC05-HF)	403-AK4-196	3
SW1,SW2	LEVER SW(LBC22B-20KB,6PIN)	403-CDMIX1-114B	2
SW3-8	LEVER SW(LBCR23M-20K)	403-T2-183	6
W8,W6	3P2.5 CONNECTOR WIRE(L=80mm,AWM2877 AWG26)	404-HPM11-1593	2
W28*2	3P2.5 CONNECTOR WIRE(L=100mm,AWM2877 AWG26)	404-HPM7-1602	2
W1,W2	5P CONNECTOR WIRE(L=220mm,AWM2877 AWG26,P=2.5mm)	404-QSPAND-1177	2
W30	6P CONNECTOR WIRE(L=170mm,AWM2877 AWG26,P=2.5mm)	404-QSPAND-1179	1
W3	4P 2.5 CONNECTOR WIRE(L=60mm,AWM1007,AWG26)	404-RMX20-1863	1
W4	7P 2.5 CONNECTOR WIRE(L=320mm,AWM2877,AWG26)	404-RMX20-1864	1
W12	7P 2.5 CONNECTOR WIRE(L=290mm,AWM1007/2547,AWG26/28)	404-RMX20-1865	1
W9	3P 2.5 CONNECTOR WIRE(L=380mm,AWM2547,AWG28)	404-RMX20-1866	1
W11	3P 2.5 CONNECTOR WIRE(L=360mm,AWM2547,AWG28)	404-RMX20-1867	1
W10	3P2.5 CONNECTOR WIRE(L=300mm,AWM2877 AWG26)	404-SA12-1397	1
W16	5P2.54 CONNECTOR(SHD106-A03 TYPE)	404-T2-1705	1
SW14,SW15	9P2.54 CONNECTOR(SHD106-A03 TYPE)	404-T2-1707	2
D1-9	LED(RED)	410-CD6000-122	9
IC5	INTEGRATED CIRCUIT(NJM-4556AD)	417-3113-018	1
IC1,IC2,IC3,IC4, IC16	IC(BA15218,DIP-8)	417-AK4-644	5
IC6-11	IC B1403N OR BA6124 SIP9	417-HT801K-097	6
IC17	IC(BA10358,DIP-8)	417-QD5-505	1
VR1,VR2,VR4	VR(20KB*2,RK16K12D0023-20KB*2(HF))	418-Q2221-084	3
VR14	VR(50KB*2,RK16K12D0038-50KB*2(HF))	418-Q2422-089	1
VR12,VR13,VR20	VR(20KB,RK16K1140153-20KB(HF))	418-Q2422-090	3
VR21	ROTARY VR(20KB,RK16K114008-20KB(HF))	418-QD1-192	1
VR3,VR6-11	ROTARY VR(20K2B*2,RK16K124A01A-20K2B*2(HF))	418-RMX30-254	7
W26,W13*2	4P STRIP PIN HEADER(L=15mm,P=2.54mm,180 DEGREES)	424-CDN24A-014	3
W5,W7	7P2.54 STRIP PIN HEADER(L=11.8mm,180 DEGREES)	424-R1C-084	2

FRONT BOARD & MIXER PCB ASS'Y PART LIST

REF. NO.	DESCRIPTION	PART NO.	Q'TY
D4,D8,D9	LED HOLDER(LED-4.5A,H=4.5mm,WHITE)	504-BJ2300-039	3
D1-3,D5-7	LED HOLDER(LED-16A,H=16.4mm,WHITE)	504-Q2221-077	6
(CUE)ND1*2,(CUE)ND2*2,(L)ND1*2,(L)ND2*2,(R)ND1*2,(R)ND2*2	LED HOLDER(LED3-10,H=10mm,WHITE)	504-RMX20-159	12
C10-14,C64,C65	CERAMIC CAPACITOR(220pF/50V,K,TAPING,Y5P)	413-3113-032	7
C55-57,C63,C68,C37-40	ELEC. CAPACITOR(10uF/50V,M,TAPING 5*7,MINI)	413-DM1000-348	9
C5-9,C31-36,C60,C61,C69	ELEC. CAPACITOR(2.2uF/50V,M,TAPING 4*7,MINI)	413-DV300-5156	14
C62,C70,C71	CERAMIC CAPACITOR(0.02uF/50V,Z,TAPING,Z5V)	413-H461-003	3
C50	CERAMIC CAPACITOR(47pF/50V,J,TAPING,NPO)	413-HT8015-153	1
C27-30	ELEC. CAPACITOR(4.7uF/50V,M,TAPING 4*7,MINI)	413-HT801K-191	4
C15-22,C45-47,C53,C54,C66,C67	ELEC. CAPACITOR(100uF/16V,M,TAPING 6*7,MINI)	413-HT801K-193	15
C48,C49	CERAMIC CAPACITOR(330pF/50V,K,TAPING,Y5P)	413-KC220-116	2
C52	POLYESTER CAPACITOR(0.001uF/100V,J,TAPING)	413-PMSE1-279	1
C23,C24	CERAMIC CAPACITOR(100pF/50V,J,TAPING,SL)	413-PXE90-107	2
C58,C59	CERAMIC CAPACITOR(0.039uF/50V,Z,TAPING,Y5V)	413-QD5-693	2
C25,C26	ELEC. CAPACITOR(220uF/16V,M,TAPING 6*7,MINI)	413-RMX30-883	2
C72-74	ELEC. CAPACITOR(1uF/50V,M,TAPING 4*7,MINI)	413-SPPW3-234	3
C1-4	ELEC. CAPACITOR(22uF/16V,M,TAPING 4*7,MINI)	413-SPPW3-236	4
C51	ELEC. CAPACITOR(47uF/25V,M,TAPING 6.3*7,MINI)	413-SPPW3-237	1
Q6,Q7	TRANSISTOR(2SD1468 TAPING)	416-3113-009	2
Q3-5	TRANSISTOR(2SA1015/2SA1015-GR,TAPING)	416-KE200X-021	3
R8-11	CARBON FILM RESISTOR(5.6K OHM,1/6W,J,T-26)	412-3113-044	4
R148-150	CARBON FILM RESISTOR(100K OHM,1/6W,J,T-26)	412-3113-047	3
R102,R103,R189,R144,R145	CARBON FILM RESISTOR(2.2K OHM,1/6W,J,T-26)	412-3113-048	5
R162,R163	CARBON FILM RESISTOR(12K OHM,1/6W,J,T-26)	412-3113-051	2
R159-161	CARBON FILM RESISTOR(39K OHM,1/6W,J,T-26)	412-3113-052	3
R66	CARBON FILM RESISTOR(15K OHM,1/6W,J,T-26)	412-3113-053	1
R151	CARBON FILM RESISTOR((27K OHM,1/6W,J,T-26)	412-3113-054	1
R121-143	CARBON FILM RESISTOR(4.7K OHM,1/6W,J,T-26)	412-3113-055	23
R155	CARBON FILM RESISTOR((3.3K OHM,1/6W,J,T-26)	412-3113-057	1
R92,R93,R94,R95,R96,R97,R98,R99,R100,R101,R173,R174	CARBON FILM RESISTOR(220 OHM,1/6W,J,T-26)	412-3113-058	12
R46,R47,R64,R65	CARBON FILM RESISTOR(22K OHM,1/6W,J,T-26)	412-3113-059	4
R109,R110,R111	CARBON FILM RESISTOR(100 OHM,1/6W,J,T-26)	412-3113-060	3
R12-20,R22-27,R180	CARBON FILM RESISTOR((47K OHM,1/6W,J,T-26)	412-3113-063	16

FRONT BOARD & MIXER PCB ASS'Y PART LIST

REF. NO.	DESCRIPTION	PART NO.	Q'TY
R69-72,R74-79,R81-86,R90,R91	CARBON FILM RESISTOR(1.2K OHM,1/6W,J,T-26)	412-3113-067	18
R37-45,R48-63,R168,R169,R171,R172	CARBON FILM RESISTOR(10K OHM,1/6W,J,T-26)	412-3113-068	29
R21,R164,R165,R177	CARBON FILM RESISTOR(6.8K OHM,1/6W,J,T-26)	412-3113-069	4
R153,R154,R158	CARBON FILM RESISTOR(680 OHM,1/6W,J,T-26)	412-3113-070	3
R112-120,R166,R167	CARBON FILM RESISTOR((2.7K OHM,1/6W,J,T-26)	412-3113-073	11
R28-36,R178	CARBON FILM RESISTOR(1K OHM,1/6W,J,T-26)	412-3113-078	10
R73,R80,R87,R1,R2,R3,R4,R5,R6,R7,R176	CARBON FILM RESISTOR(1.5K OHM,1/6W,J,T-26)	412-D396-135	11
R175	CARBON FILM RSISTOR(11K OHM,1/6W,J,T-26)	412-DCM370E3-436	1
R67,R68	CARBON FILM RESISTOR(68 OHM,1/6W,J,T-26)	412-HP1010K-196	2
R106-108	CARBON FILM RESISTOR(6.2K OHM,1/6W,J,T-26)	412-HV3363K-349	3
R179,R181-183	CARBON FILM RESISTOR(10 OHM,1/6W,J,T-26)	412-KC220-132	4
R152	CARBON FILM RESISTOR(820 OHM,1/6W,J,T-26)	412-KE200S-136	1
R156,R157,R170	CARBON FILM RESISTOR(3.9K OHM,1/6W,J,T-26)	412-KT300-107	3
R88,R89	CARBON FILM RESISTOR(56 OHM,1/6W,J,T-26)	412-KT346-113	2
R104,R105	CARBON FILM RESISTOR(33 OHM,1/6W,J,T-26)	412-MPG100-255	2
	MIXER PCB(BARE)	405-RMX20-1324	1
IC14,IC15	IC(TC4066BFN/BU4066BCF/BU4066BCF-E2.SOP-14)	417-QMX2-190	2
IC12,IC13	IC(HEF4013BTR,SOP14)	417-RMX30-704	2
	LED BAR PCB ASS'Y	704-RMX20-5200	1
	LED BAR PCB(BARE)	405-RMX20-1363	1
ND1	LED BAR(RED/GREEN,LTA-10102M-01)	410-RMX30-260	1
ND2	LED BAR(GREEN,LTA-1000G-08)	410-RMX30-261	1
	EQ PCB ASS'Y	704-RMX20-5184	1
CN502,CN6,CN8,CN10	3P 2.5SOCKET(S3B-XH-A,90°,JST)	404-KMD3500-609	4
CN4	7P 2.5SOCKET(S7B-XH-A,90°,JST)	404-QMX2-206	1
CN3	4P 2.5SOCKET(S4B-XH-A,90°,JST)	404-QMX2-606	1
CN5,CN7	7P 2.54 CONNECTOR WIRE(L=250mm,AWM2877,AWG26)	404-RMX20-1868	2
IC215,IC216	IC(M51132L)	417-SA12-487	2
CN14,CN15	9P STRIP PIN HEADER(L=31mm,P=2.54mm,180 DEGREES)	424-RMX30-098	2
CN16	5P2.54 STRIP PIN HEADER(L=31mm,180°)	424-T2-073	1
C318-321,C328-333	CERAMIC CAPACITOR(220pF/50V,K,TAPING,Y5P)	413-3113-032	10
C326,C327,C334-343,C385,C386	ELEC. CAPACITOR(4.7uF/50V,M,TAPING 5*11)	413-3113-050	14
C210-217,C353,C354	POLYESTER CAPACITOR(0.012uF/50V,J,TAPING)	413-3113-060	10

FRONT BOARD & MIXER PCB ASS'Y PART LIST

REF NO.	DESCRIPTION	PART NO.	Q'TY
C276-297,C322-325,C368,C369,C370	ELEC. CAPACITOR(10uF/50V,M,TAPING 5*11)	413-DM1000-352	29
C252-259,C362,C363	POLYESTER CAPACITOR(0.0015uF/50V,J,TAPING)	413-HT7016-219	10
C260-275,C364-367	POLYESTER CAPACITOR(0.0047uF/100V,J,TAPING)	413-HT8015-159	20
C202-209,C351,C352	POLYESTER CAPACITOR(0.027uF/50V,J,TAPING)	413-HT8015-161	10
C344,C345	ELEC. CAPACITOR(22uF/16V,M,TAPING 5*11)	413-HT8015-163	2
C244-251,C360,C361	POLYESTER CAPACITOR(0.0033uF/100V,J,TAPING)	413-KT300-103	10
C302-317,C372-375	POLYESTER CAPACITOR(0.033uF/100V,J,TAPING)	413-KT350-088	20
C346,C347,C348,C349,C379,C380,C387,C388	ELEC. CAPACITOR(0.47uF/50V,M,TAPING 5*11)	413-KT350-093	8
C200,C201,C218-243,C350,C355-357,C381-384	ELEC.CAPACITOR(100uF/16V,M,TAPING 5*11)	413-PXE90-109	36
R200-215,R350-353	CARBON FILM RESISTOR(33K OHM,1/6W,J,T-26)	412-3113-045	20
R296,R297,R298,R299,R300,R301,R302,R303,R371,R372	CARBON FILM RESISTOR(2.2K OHM,1/6W,J,T-26)	412-3113-048	10
R276,R277,R278,R279,R280,R281,R282,R283,R284,R285,R286,R287,R288,R289,R290,R291,R366,R367,R368,R369,R330,R331,R332,R333	CARBON FILM RESISTOR(12K OHM,1/6W,J,T-26)	412-3113-051	24
R316,R317,R318,R319,R320,R321,R322,R323,R378,R377	CARBON FILM RESISTOR((27K OHM,1/6W,J,T-26)	412-3113-054	10
R232,R233,R234,R235,R236,R237,R238,R239,R240,R241,R242,R243,R244,R245,R246,R247,R248,R249,R250,R251,R252,R253,R254,R255,R256,R257,R258,R259,R260,R261,R262,R263,R358,R359,R360,R361	CARBON FILM RESISTOR(220 OHM,1/6W,J,T-26)	412-3113-058	36

FRONT BOARD & MIXER PCB ASS'Y PART LIST

REF. NO.	DESCRIPTION	PART NO.	Q'TY
R216-231,R328,R343-357,R388,R389,R391,R392	CARBON FILM RESISTOR(18K OHM,1/6W,J,T-26)	412-3113-061	26
R304,R305,R306,R307,R308,R309,R310,R311,R312,R313,R314,R315,R374,R375,R376,R386,R387	CARBON FILM RESISTOR(47K OHM,1/6W,J,T-26)	412-3113-063	17
R336-341	CARBON FILM RESISTOR(10K OHM,1/6W,J,T-26)	412-3113-068	6
R264-275,R364,R365	CARBON FILM RESISTOR(6.8K OHM,1/6W,J,T-26)	412-3113-069	14
R292,R293,R294,R295,R344,R345,R346,R347,R370	CARBON FILM RESISTOR(1K OHM,1/6W,J,T-26)	412-3113-078	9
R324-327	CARBON FILM RSISTOR(11K OHM,1/6W,J,T-26)	412-DCM370E3-436	4
R329,R342,R390,R393	CARBON FILM RESISTOR(36K OHM,1/6W,J,T-26)	412-HV3363K-351	4
	EQ PCB(BARE)	405-RMX20-1326	1
IC200-207,IC350,IC351	IC(NJM-2060V-TE1,SMD)	417-PRO1000-502	10
IC208-214	IC(BA15218F/BA15218FE2,SOP-8)	417-QMX2-167	7
	CH VR PCB ASS'Y	704-RMX20-5186	2
	VR FIXED PLATE	300-SCX2-1133	1
CN13	4P CONNECTOR(P=2.54mm,SHD106-A03 TYPE)	404-QFX19-1621	1
	CH VR PCB(BARE)	405-RMX20-1351	1
J69	JUMPER(0.6mm,L=5mm,H=10mm)	406-2002-106	1
VR16	SLIDE VR(RA45D2-211-15D1-0B100K)	418-SCX2-239	1
	SCREW(CTF,3*7)	602-AKS4-496B	2
	IF CURVE VR & FIXED PLATE ASS'Y	704-RMX20-5188	1
	FIXED PILLAR(SHORT)	200-SCX2-437	4
	EFFECT FIXED PLATE(LARGE)	300-RMX30-1138	1
	VR SHEATH	300-SCX2-1125	2
	SEPARATELY SLICE(LARGE)	501-RMX30-1773	1
	SCREW(3*5 P=0.5)	602-B300-041	4
	IF CURVE VR(10K) PCB ASS'Y	704-RMX30-5131	2
CN27/28	3P SOCKET(B3B-XH-A,P=2.5mm,JST,180 DEGREE)	404-HV3500K-623	1
	IF CURVE VR PCB(BARE)	405-RMX30-1302	1
VR26/22	HIDDEN VR(10KB,RD097111T08J-10KB(HF))	418-RMX30-232	1
	FADER PCB ASS'Y	704-RMX30-5129	1
	VR FIXED PLATE	300-SCX2-1133	1
CN26	4P CONNECTOR(P=2.54mm,SHD106-A03 TYPE)	404-QFX19-1621	1
	CROSS FADER PCB(BARE)	405-RMX30-1300	1
VR5	CROSS FADER(RA45D2-211-15D1-0B20K-0025)	418-RMX30-231	1
	SCREW(CTF,3*7)	602-AKS4-496B	2
	POWER SW PCB ASS'Y	704-RMX30-5133	1
SW503	POWER SW(SDDL1017U-HF,2PIN)	403-A100-005	1

FRONT BOARD & MIXER PCB ASS'Y PART LIST

REF. NO.	DESCRIPTION	PART NO.	Q'TY
W400	2P2.5 CONNECTOR WIRE(L=150mm,AWM1007 AWG26)	404-DJ3000A-1774	1
	POWER SW PCB(BARE)	405-RMX30-1294	1
C588	CERAMIC CAPACITOR(0.01uF/50V,Z,TAPING,Z5V)	413-3113-028	1
	CF CURVE VR & FIXED PLATE ASS'Y	704-RMX30-5160	1
	FIXED PILLAR(SHORT)	200-SCX2-437	3
	EFFECT FIXED PLATE(SMALL)	300-RMX30-1139	1
	VR SHEATH	300-SCX2-1125	1
	SEPARATELY SLICE(SMALL)	501-RMX30-1775	1
	SCREW(3*5 P=0.5)	602-B300-041	3
	CF CURVE VR PCB ASS'Y	704-RMX30-5132	1
CN30	6P SOCKET(B6B-XH-A,P=2.5mm,JST,180 DEGREE)	404-HV3500K-630	1
	CF CURVE VR PCB(BARE)	405-RMX30-1303	1
VR28	HIDDEN VR(20KA*2,RD097122T06G-20KA*2(HF))	418-RMX30-234	1

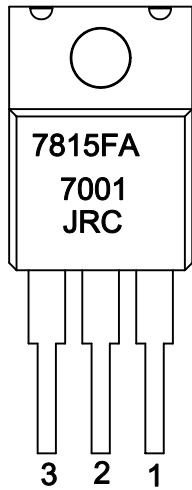
OUTPUT PCB ASS'Y PART LIST

REF. NO.	DESCRIPTION	PART NO.	Q'TY
	OUTPUT PCB ASS'Y	704-RMX20-5180	1
	BRACKET(L TYPE)	300-HDJ7000-472	2
SW500,SW501	SLIDE SW(SSSF122NA1-HF,6PIN)	403-QMX1-060	2
CN12	7P SOCKET(B7B-XH-A,P=2.5mm,JST,180 DEGREE)	404-DV300-507	1
IC506	3P2.5 CONNECTOR WIRE(L=140mm,AWM1007,AWG26,BLUE)	404-HPM6-1680A	1
IC505	3P2.5 CONNECTOR WIRE(L=100mm,AWM1007 AWG26)	404-HPM6-1681	1
W501	5P2.5 CONNECTOR WIRE(L=100mm,AWM2877 AWG26)	404-HPM9-1611	1
CN1,CN2	5P SOCKET(B5B-XH-A,P=2.5mm,JST,180 DEGREE)	404-HV3500K-622	2
CN400	2P SOCKET(B2B-XH-A,P=2.5mm,JST,180 DEGREE)	404-KMD1500-608	1
W502	3P 2.5 CONNECTOR WIRE(L=250mm,AWM2877,AWG26)	404-RMX20-1869	1
C562,C563	ELEC. CAPACITOR(1000uF/35V,M,BULK 13*21)	413-DJ1900-110	2
C554,C555,C564	ELEC. CAPACITOR(1000uF/16V,M,BULK 10*16)	413-F202-001	3
IC200,IC501-504	IC(BA15218,DIP-8)	417-AK4-644	5
JK506	DC POWER JACK(6.3,DJ-0702B-025)	420-CDMIX1-078	1
JK500-502	4P RCA JACK(RJ-1073-09-0300A)	420-QMX1-094	3
	SCREW(3*5 P=0.5)	602-B300-041	2
C550,C551,C552	CERAMIC CAPACITOR(0.1uF/50V,Z,TAPING,Y5V)	413-3113-035	3
C504,C505,C506,C507,C508,C509,C510,C511	ELEC. CAPACITOR(2.2uF/50V,M,TAPING 5*11)	413-3113-045	8
C500,C502,C503,C501	ELEC. CAPACITOR(100uF/10V,M,TAPING 5*11)	413-3113-046	4
C556,C558,C559,C561,C601	CERAMIC CAPACITOR(0.022uF/50V,Z,TAPING,Z5V)	413-501-105	5
C530,C531,C532,C533,C534,C535,C536,C537,C538,C542,C543,C539	ELEC. CAPACITOR(10uF/50V,M,TAPING 5*11)	413-DM1000-352	12
C572	ELEC. CAPACITOR(100uF/25V,M,TAPING 6.3*11)	413-HS100-180	1
C526-529	CERAMIC CAPACITOR(680pF/50V,K,TAPING,Y5P)	413-HT8015-155	4
C512-515	POLYESTER CAPACITOR(0.0082uF/50V,J,TAPING)	413-HT8015-160	4
C544-547	POLYESTER CAPACITOR(0.027uF/50V,J,TAPING)	413-HT8015-161	4
C540,C541,C565,C566	ELEC. CAPACITOR(22uF/16V,M,TAPING 5*11)	413-HT8015-163	4
C567,C568	CERAMIC CAPACITOR(330pF/50V,K,TAPING,Y5P)	413-KC220-116	2
C548,C549	ELEC. CAPACITOR(220uF/16V,M,TAPING 6*11)	413-KT300-102	2
C570	ELEC. CAPACITOR(47uF/16V,M,TAPING 5*11)	413-KT350-085	1
C573-576	CERAMIC CAPACITOR(100pF/50V,J,TAPING,SL)	413-PXE90-107	4
C516-525	ELEC.CAPACITOR(100uF/16V,M,TAPING 5*11)	413-PXE90-109	10
Q500,Q501	TRANSISTOR(2SC2878-B(TE2.M)	416-AMC110A-5017	2
Q502	TRANSISTOR(2SA1015/2SA1015-GR,TAPING)	416-KE200X-021	1
	OUTPUT PCB(BARE)	405-RMX20-1322	1

OUTPUT PCB ASS'Y PART LIST

REF. NO.	DESCRIPTION	PART NO.	Q'TY
R555,R556,R557,R558,R565	CARBON FILM RESISTOR(100K OHM,1/6W,J,T-26)	412-3113-047	5
R536-549	CARBON FILM RESISTOR(220 OHM,1/6W,J,T-26)	412-3113-058	14
R504-511,R563	CARBON FILM RESISTOR(22K OHM,1/6W,J,T-26)	412-3113-059	9
R500-503	CARBON FILM RESISTOR(100 OHM,1/6W,J,T-26)	412-3113-060	4
R518-521	CARBON FILM RESISTOR(120K OHM,1/6W,J,T-26)	412-3113-062	4
R522-535	CARBON FILM RESISTOR(47K OHM,1/6W,J,T-26)	412-3113-063	14
R564	CARBON FILM RESISTOR(10K OHM,1/6W,J,T-26)	412-3113-068	1
R559-562	CARBON FILM RESISTOR(6.8K OHM,1/6W,J,T-26)	412-3113-069	4
R556	CARBON FILM RESISTOR(2.7K OHM,1/6W,J,T-26)	412-3113-073	1
R550-554	CARBON FILM RESISTOR(1K OHM,1/6W,J,T-26)	412-3113-078	5
R567-570	CARBON FILM RESISTOR(300 OHM,1/6W,J,T-26)	412-HDJ7200-439	4
R512-517	CARBON FILM RESISTOR(8.2K OHM,1/6W,J,T-26)	412-KM500-123	6
D506	SWITCHING DIODE(1SS132/1SS133,300mw,55V,T-77)	414-3113-005	1
D500-505	DIODE(1N4002/1N4002TA,1A/100V,TAPING)	414-DV300-5014	6
D507	ZENER DIODE(MTZJ5.6-B,1/2W,T-77)	414-HT8033-032	1
D508	ZENER DIODE(MTZJ10-B,1/2W,T-77)	414-SPPW3-061	1

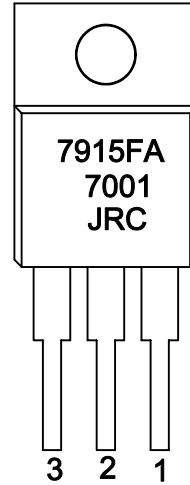
IC BLOCK DIAGRAM



417-DV330-216

7815FA

1. OUTPUT
2. COMMON
3. INPUT

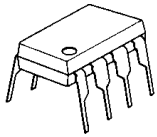


417-RCC955A-291

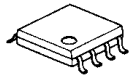
NJM7915FA

1. OUTPUT
2. INPUT
3. COMMON

IC BLOCK DIAGRAM



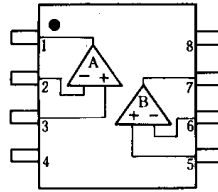
NJM4556AD



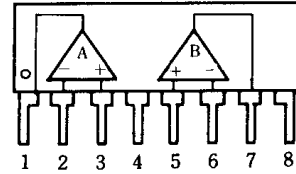
NJM4556AM

417-3113-018
NJM-4556AD

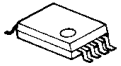
D, M, Vタイプ
(Top View)



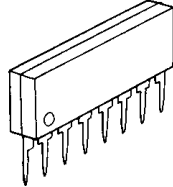
Lタイプ



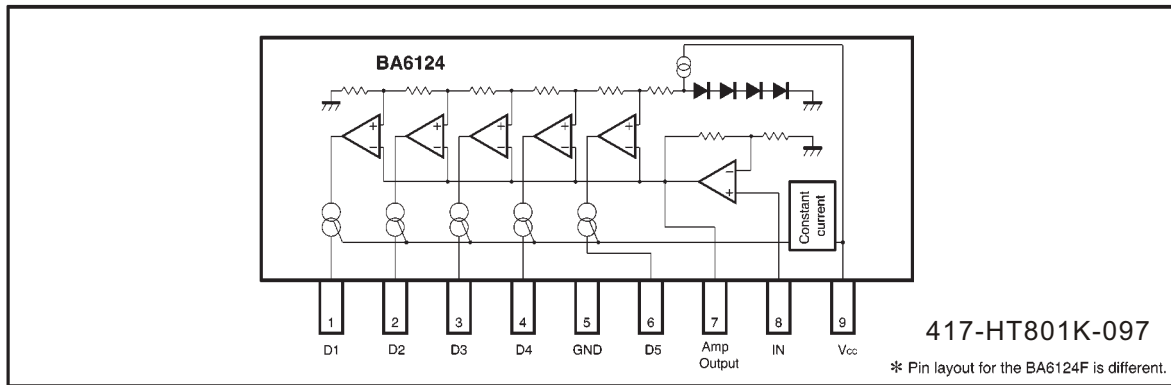
- ピン配置
1. A OUTPUT
 2. A-INPUT
 3. A+INPUT
 4. V-
 5. B+INPUT
 6. B-INPUT
 7. B OUTPUT
 8. V+



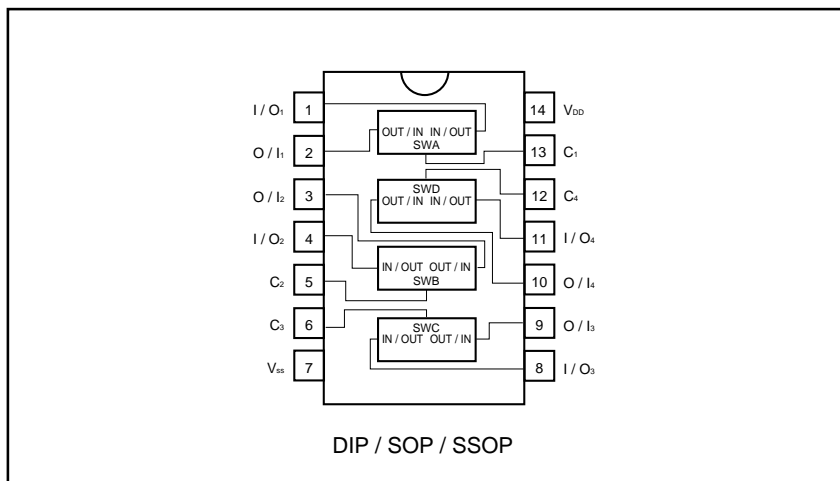
NJM4556AV



NJM4556AL

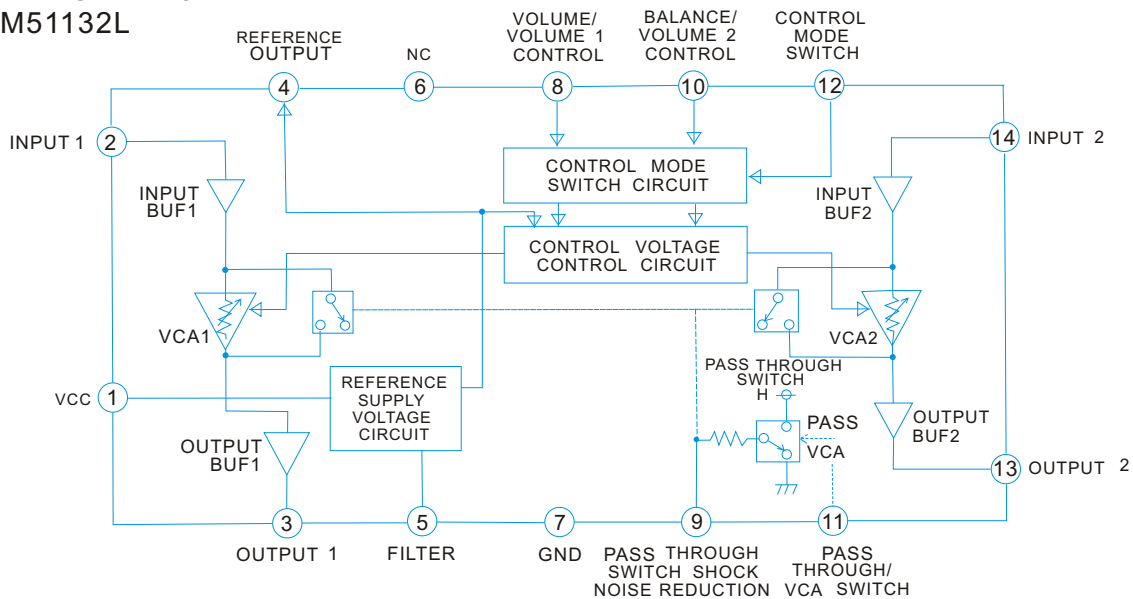


417-QMX2-190
● BU4066BCF

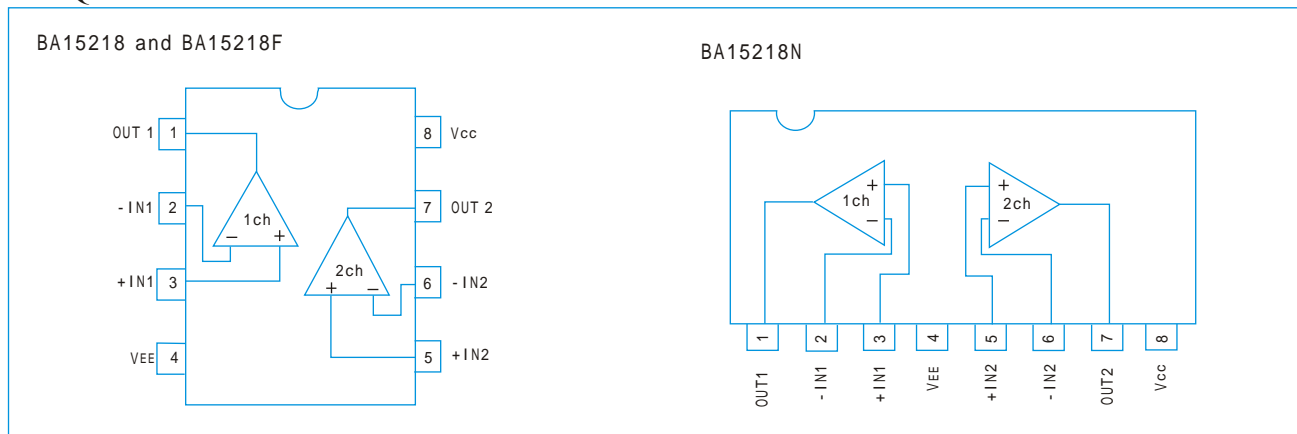


IC BLOCK DIAGRAM

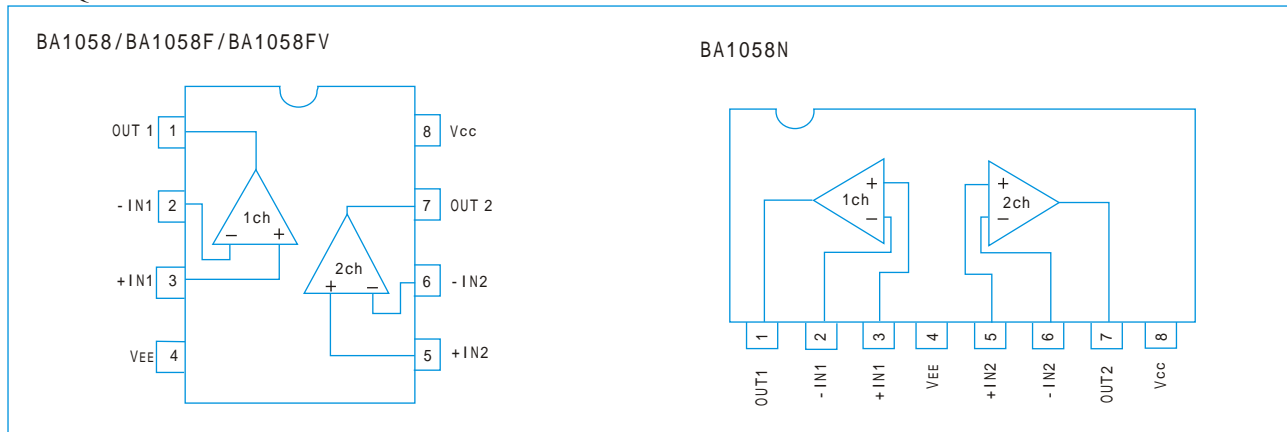
417-SA12-487
M51132L



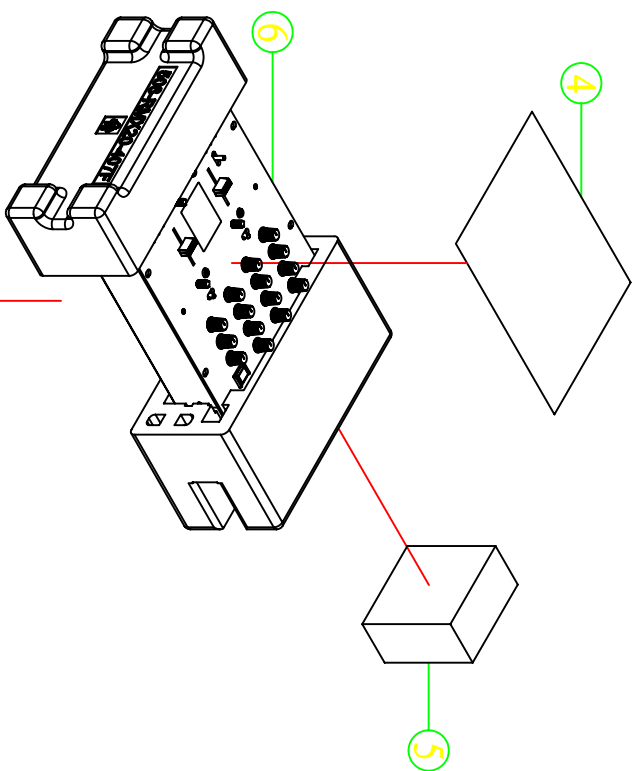
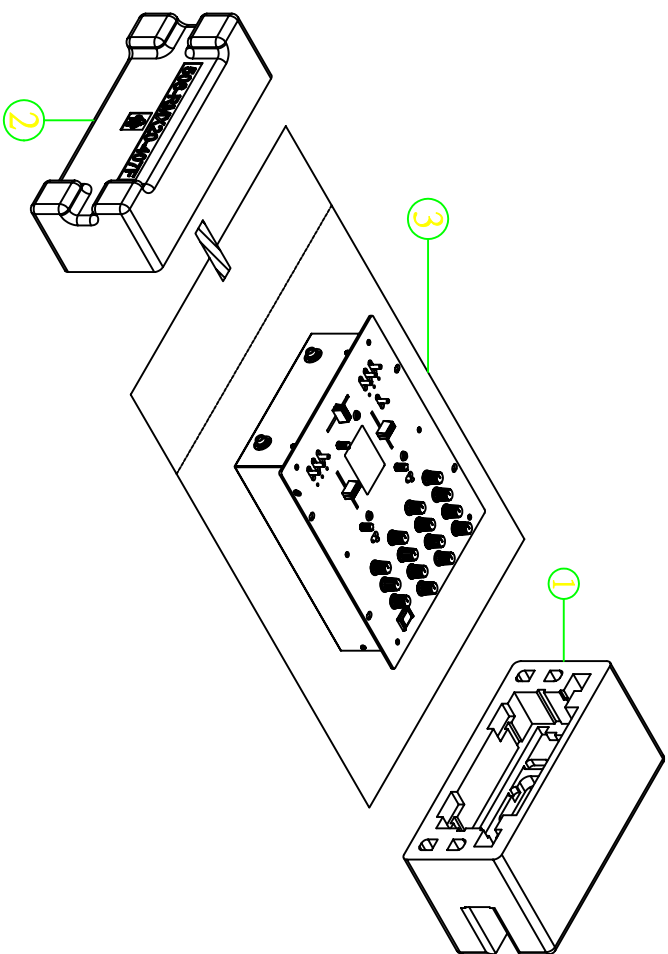
417-QMX2-167



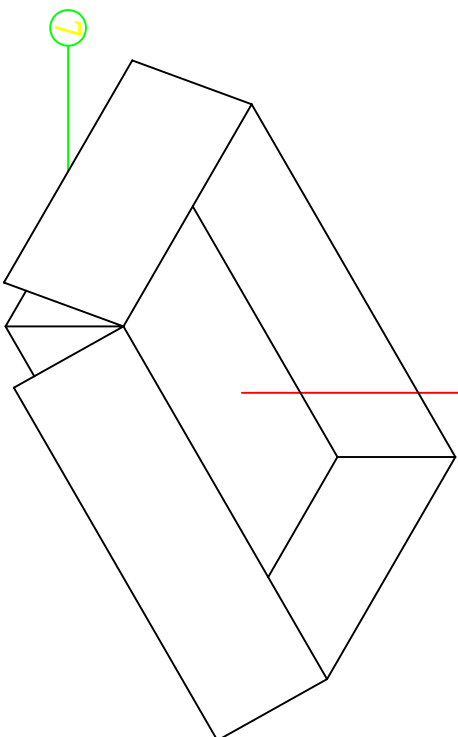
417-QD5-505



PACKAGE VIEW

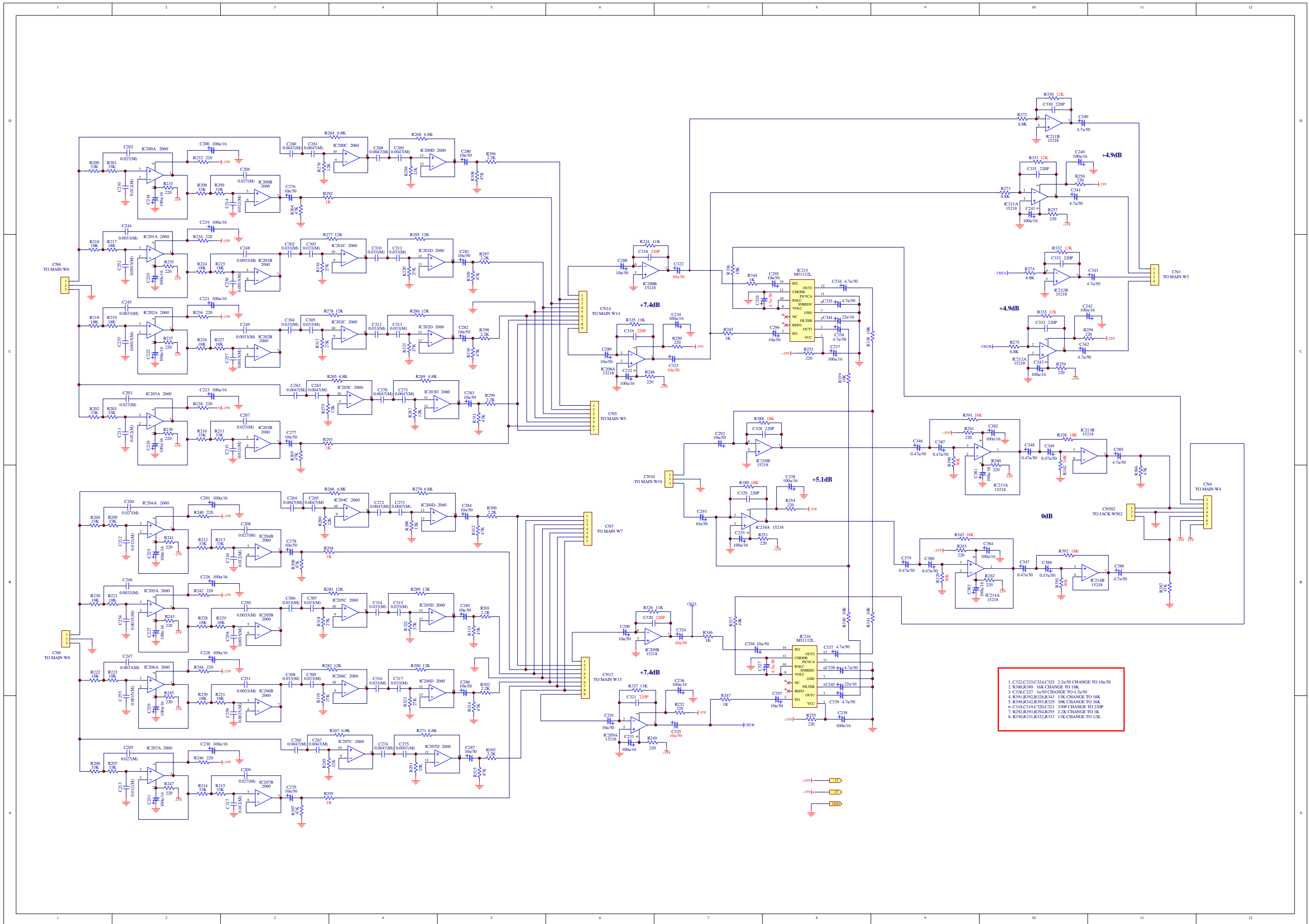


REF. NO.	DESCRIPTION	PART NO.	Q'TY
1	POLYFOAM B	506-RMX20-407B	1
2	POLYFOAM F	506-RMX20-407F	1
3	SOFT BAG	509-SA12-121	1
4	I/B ASS'Y	701-RMX20A-3329	1
5	TRANSFORMER	411-RMX20-373	1
6	UNIT	RMX-20	1
7	GIFT BOX	507-RMX20A-2509	1



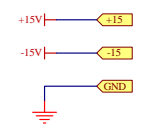
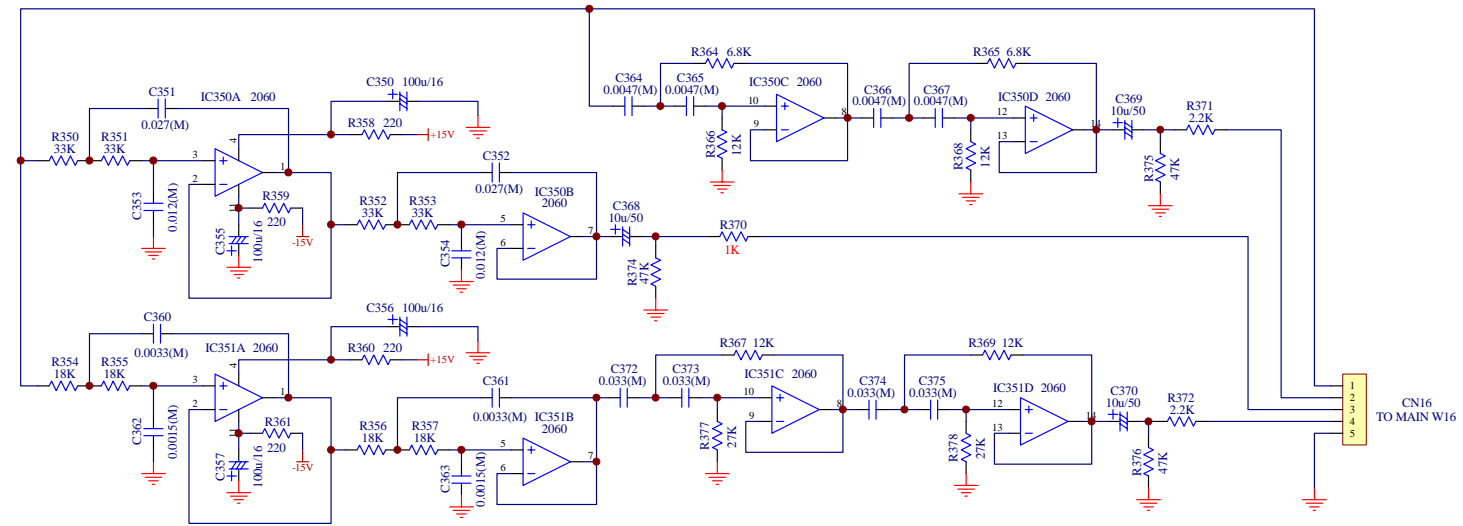
RMX-20A

1=8.2

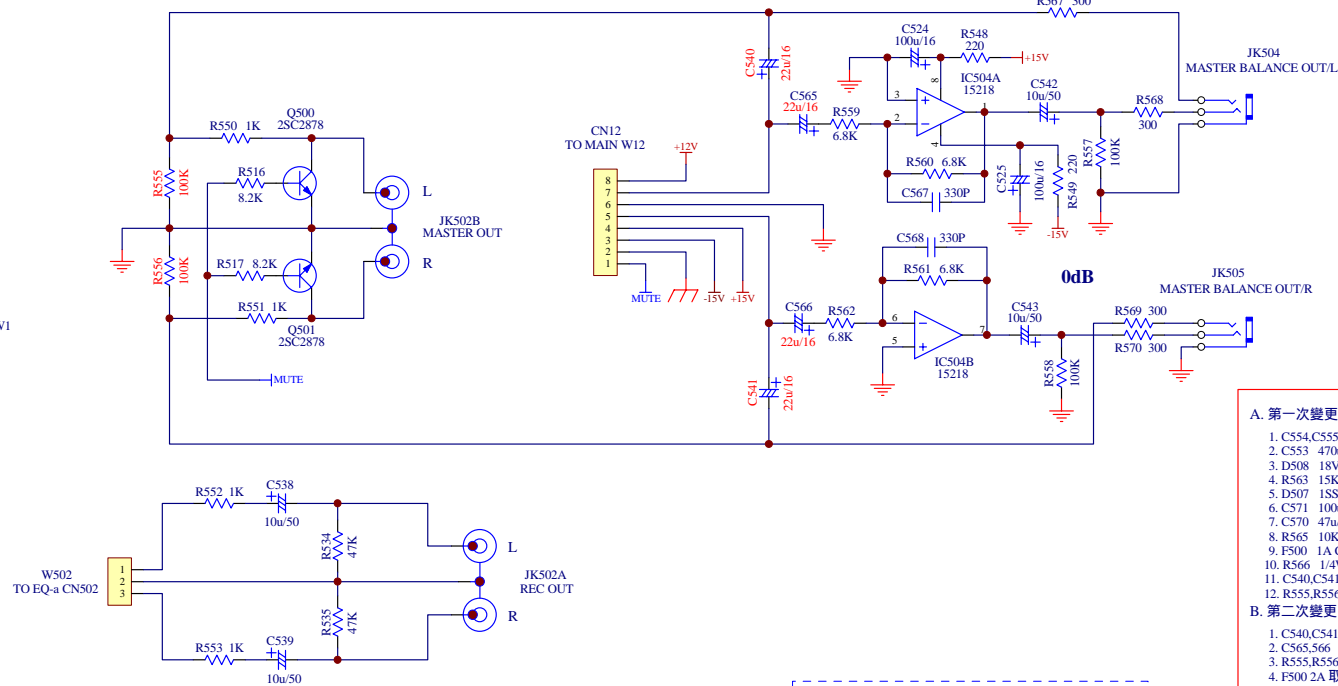
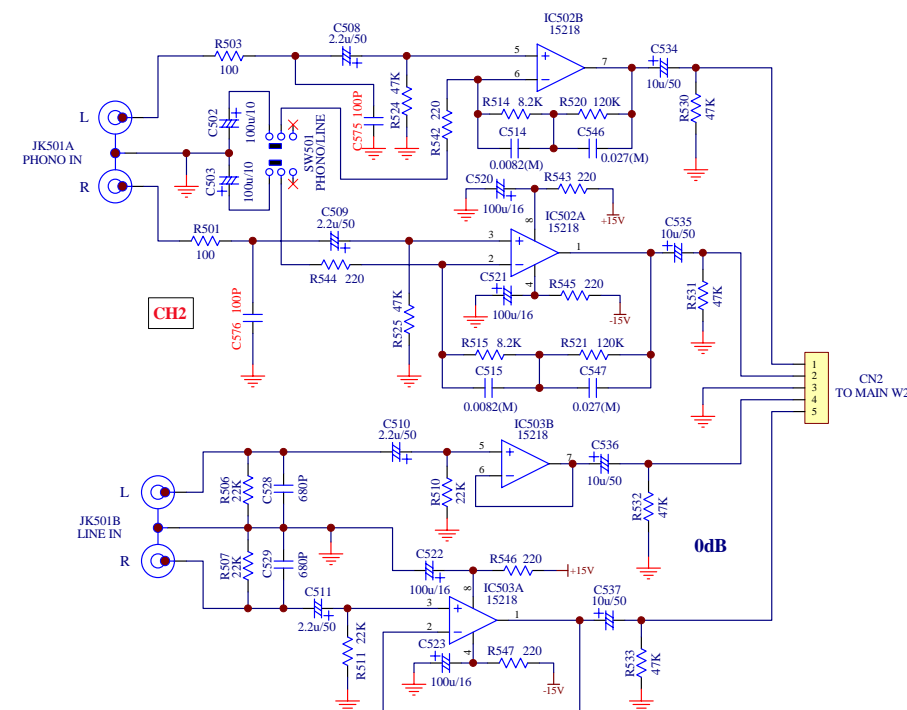
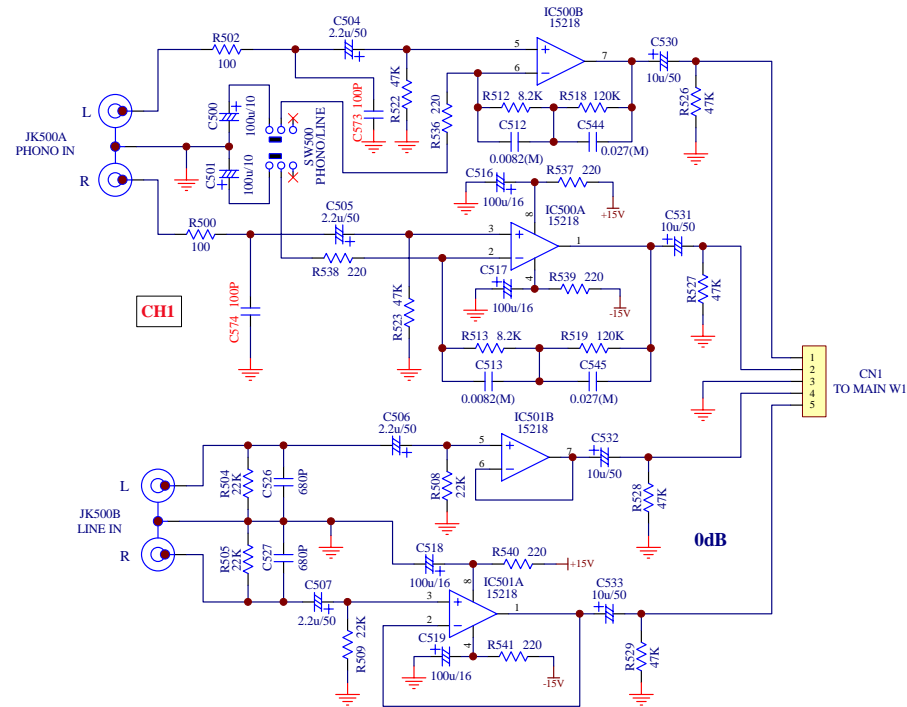


1. C122,C123,C124,C125 2.2u50 CHANGE TO 10u50
2. R38,R39 10K CHANGE TO 18K
3. C35,C37 1u50 CHANGE TO 4.7u50
4. R391,R392,R393,R394 18K CHANGE TO 18K
5. R395,R396,R397,R398 30K CHANGE TO 30K
6. C118,C119,C120,C121 300P CHANGE TO 220P
7. R292,R293,R294,R295 2.2K CHANGE TO 1K
8. R301,R302,R303 11K CHANGE TO 12K

MIC 3BAND FILTER



1. R370 2.2K CHANGE TO 1K



- A. 第一次變更:**
1. C554,C555 470u/25 CHANGE TO 1000u/16V
 2. C553 470u/10 取消
 3. D508 18V CHANGE TO 10V
 4. R563 15K CHANGE TO 22K
 5. D507 1SS132 CHANGE TO ZENER 5.6V
 6. C571 100u/25 取消
 7. C570 47u/25 CHANGE TO 47u/16
 8. R565 10K CHANGE TO 100K
 9. F500 1A CHANGE TO 2A
 10. R566 1.4W CHANGE TO 1/6W
 11. C540,C541 10u/50 取消
 12. R555,R556 100K 取消
- B. 第二次變更:**
1. C540,C541 追加並變更為 22u/16
 2. C565,C566 4.7u/50 變更為 22u/16
 3. R555,R556 100K 追加
 4. F500 2A 取消
 5. C562,C563 1000u/25 CHANGE TO 1000u/35
 6. C573,C574,C575,C576 100P 追加

