

SERVICE MANUAL

MODEL NO.: RMX-30/30BPM

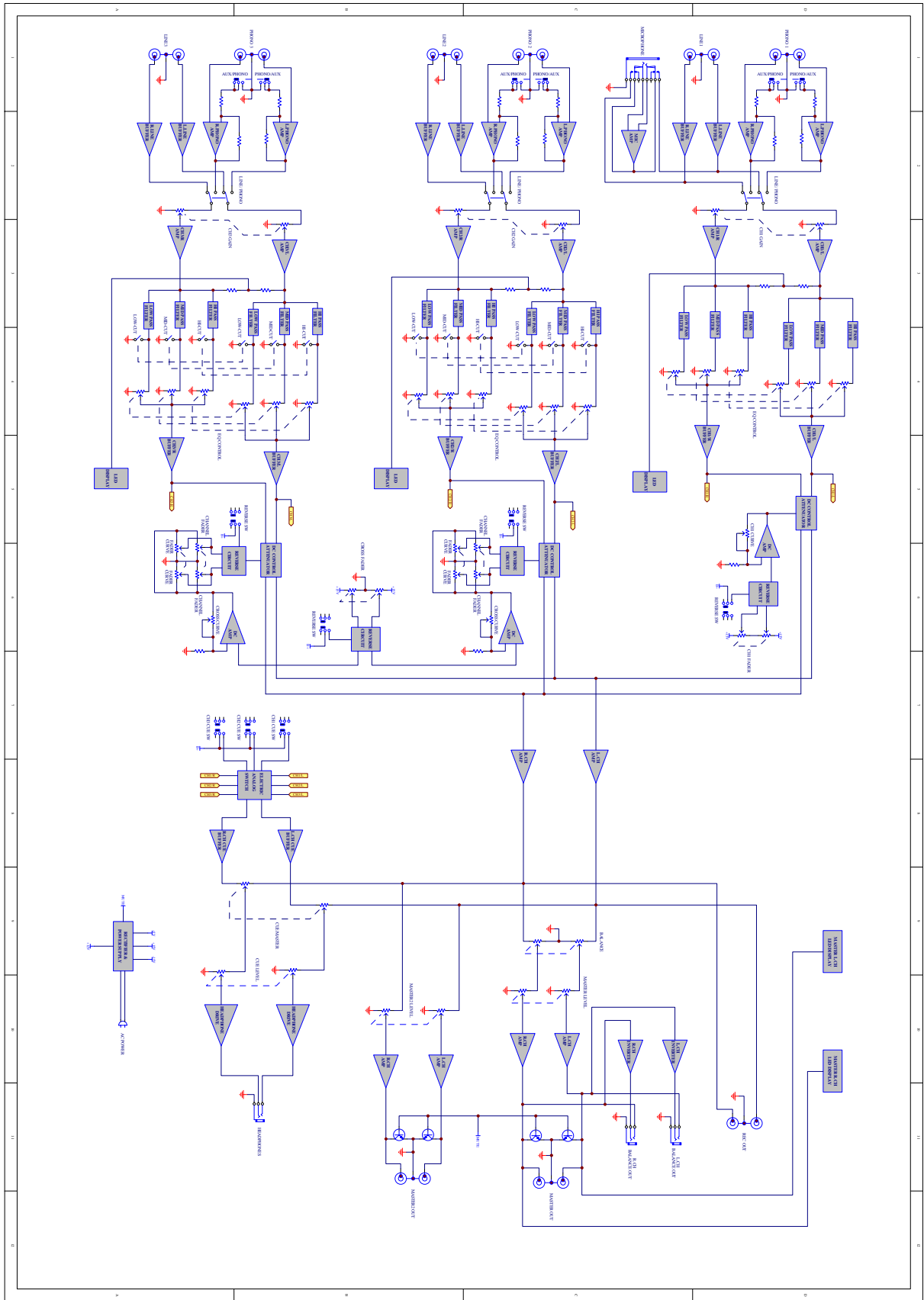
Contents

<i>Specification</i>	<i>1</i>
<i>Block Diagram</i>	<i>2-4</i>
<i>Point To Point Diagram</i>	<i>5-6</i>
<i>Exploded View</i>	<i>7-8</i>
<i>Exploded View Part List</i>	<i>9-12</i>
<i>Electrical Part List</i>	<i>13-32</i>
<i>IC Block Diagram</i>	<i>33-35</i>
<i>Package View & Part List</i>	<i>36-37</i>
<i>Schematic Diagram</i>	<i>38-42</i>

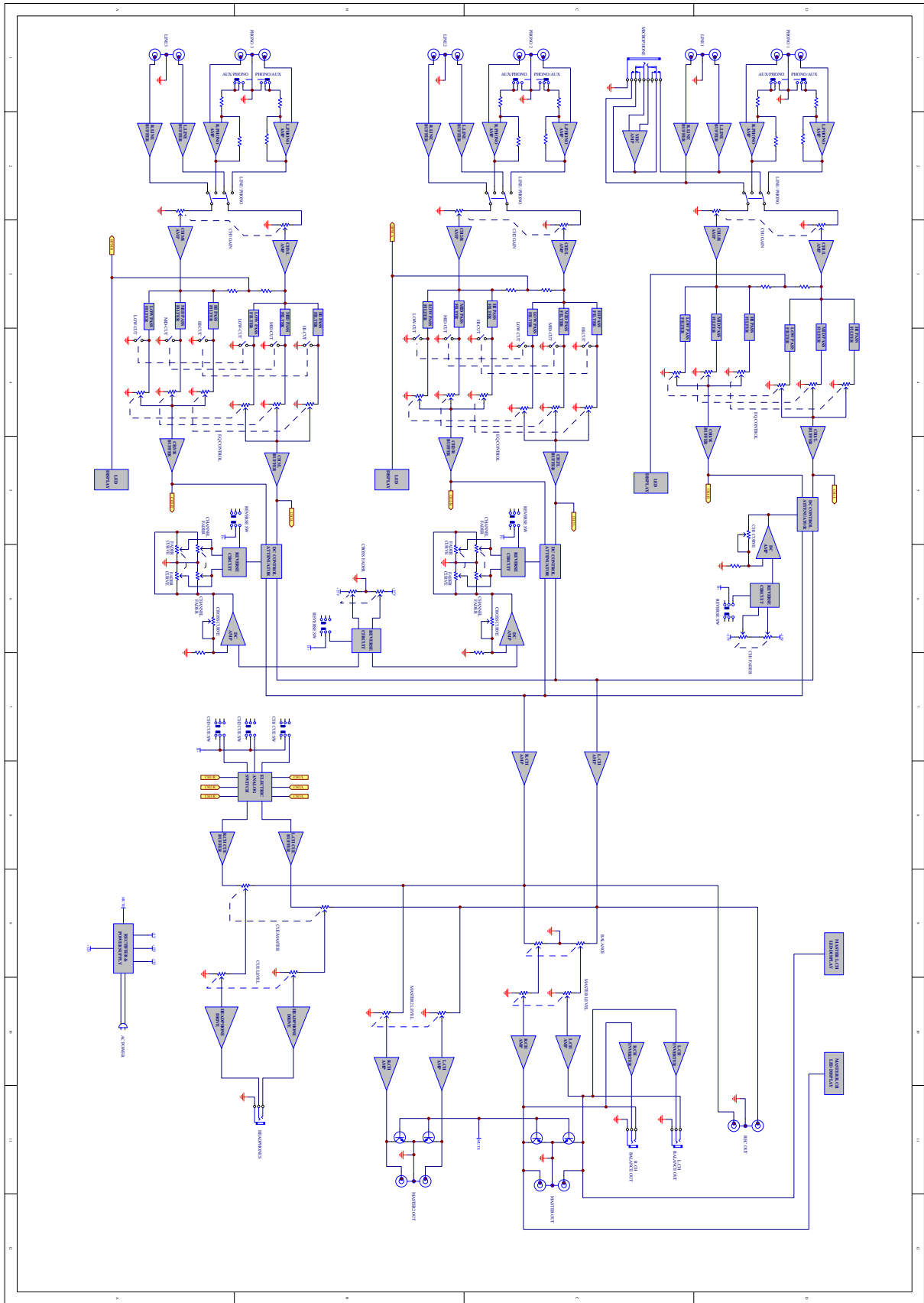
GENERAL SPECIFICATION

1. Power consumption	32 Watts w/full headphone output.(RMX-30) 33 Watts w/full headphone output.(RMX-30BPM)
2. Dimensions	254 (W) x 355 (D) x 87 (H) mm
3. Headphone impedance	32 Ohms
4. Weight	3.8Kgs
5. Input/output sensitivity (Level/Impedance)	
Line	10K OHM / -14dB (200mV) +2/-3dB
Phono	47K OHM / -50dB (3mV) +/-3dB
Microphone	3K OHM / -54dB (2mV) +/-3dB
Master output	1K OHM / 0dB (1V) +/-3dB
Master 2 output	1K OHM / 0dB (1V) +/-3dB
Rec output	1K OHM / -8dB (398mV) +/-3dB
Phones	33 OHM / -3dB (0.7V) +/-3dB (Load=32 OHM)
Master XLR	+6dB (2V) / [0dB (1V) single to GND] / 600 OHM +/-3dB
Note : 0dB=1Vrms, Load 47K Ohms.	
6. Maximum output (Load=47K Ohms, T.H.D.=5%)	
Master output	More than 18dB (8V)
Master2 output	More than 18dB (8V)
Rec output	More than 8dB (2.5V)
Phones (Load=33 OHMS)	More than 5dB (1.7V)
7. Channel balance	Within 3dB
8. Frequency response	
Line	20Hz - 20KHz +2dB/-3dB
Phono	20Hz - 20KHz +2dB/-3dB
Microphone	20Hz - 20KHz +2dB/-3dB
9. Output noise (IEC-A,Weighted)	
Line	Less than -77dB
Phono	Less than -65dB
Microphone	Less than -60dB
10. T.H.D (1KHz 0dB Output)	
Master output	Less than 0.05% (20~20KHz BPF, Load=47K OHMS)
Master2 output	Less than 0.05% (20~20KHz BPF, Load=47K OHMS)
Phones	Less than 0.3% (20~20KHz BPF, Load=33 OHMS)
11. Crosstalk	More than 60dB at 1KHz between L and R channels (20~20KHz BPF)
12. Mic/Channel equalizer	
Bass	+10 ± 3dB / Less than -35dB at 70Hz
Mid	+10 ± 3dB / Less than -35dB at 1KHz
Treble	+10 ± 3dB / Less than -35dB at 13KHz
13. Frequency kill	
Low cut	Less than -35dB at 70Hz
Mid cut	Less than -35dB at 1KHz
Hi cut	Less than -35dB at 13KHz

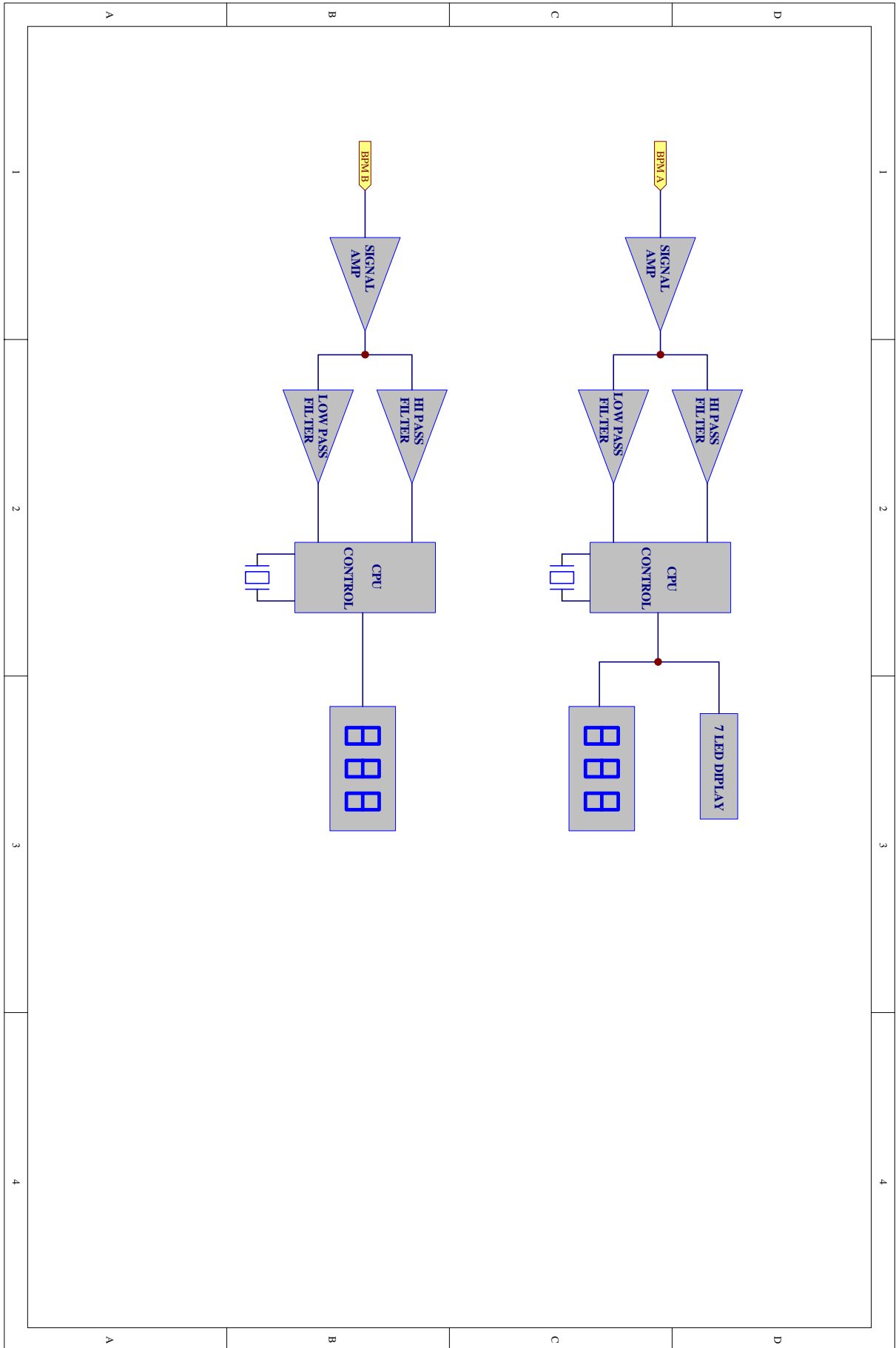
BLOCK DIAGRAM (RMX-30)



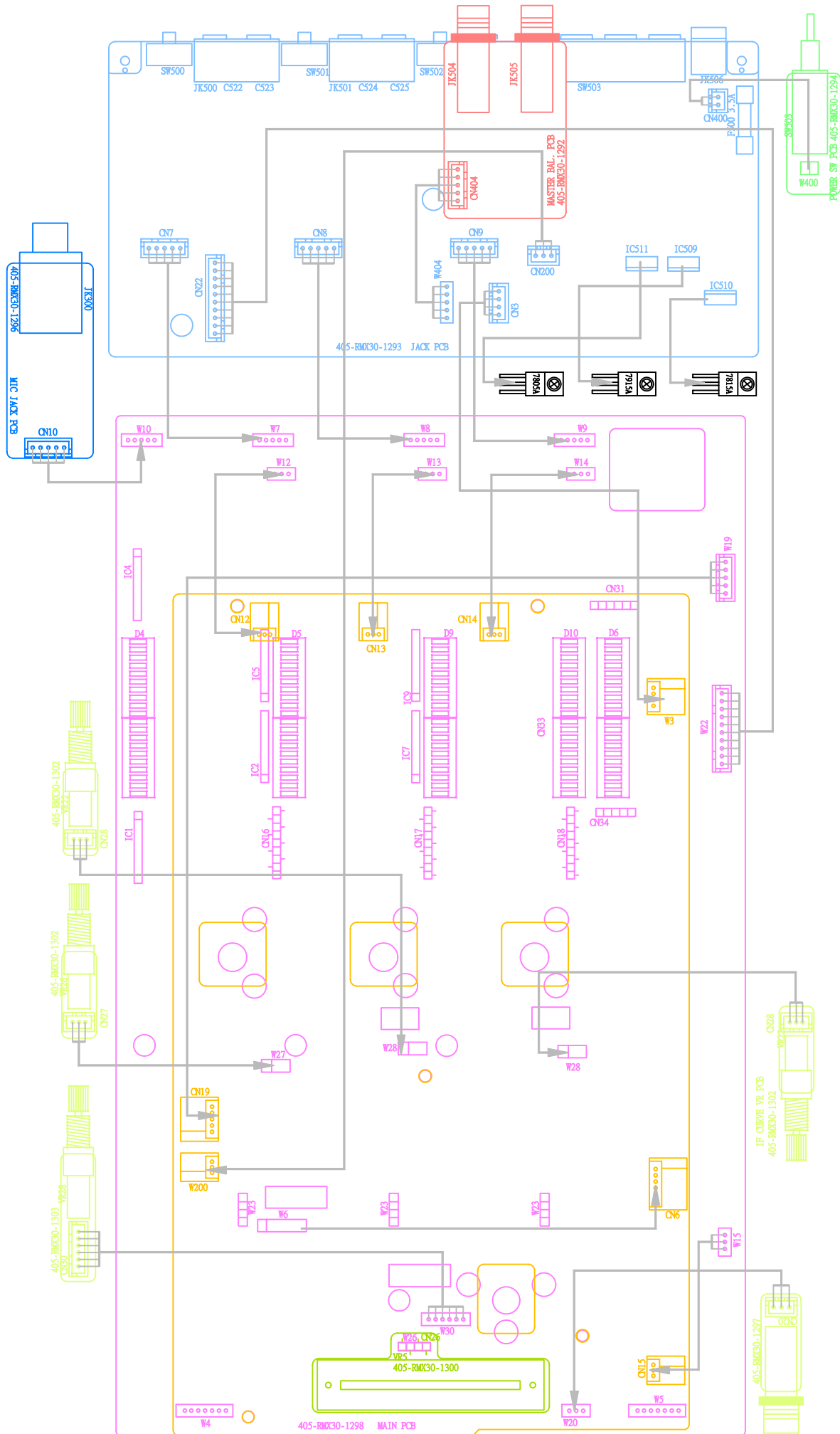
MAIN BLOCK DIAGRAM (RMX-30BPM)



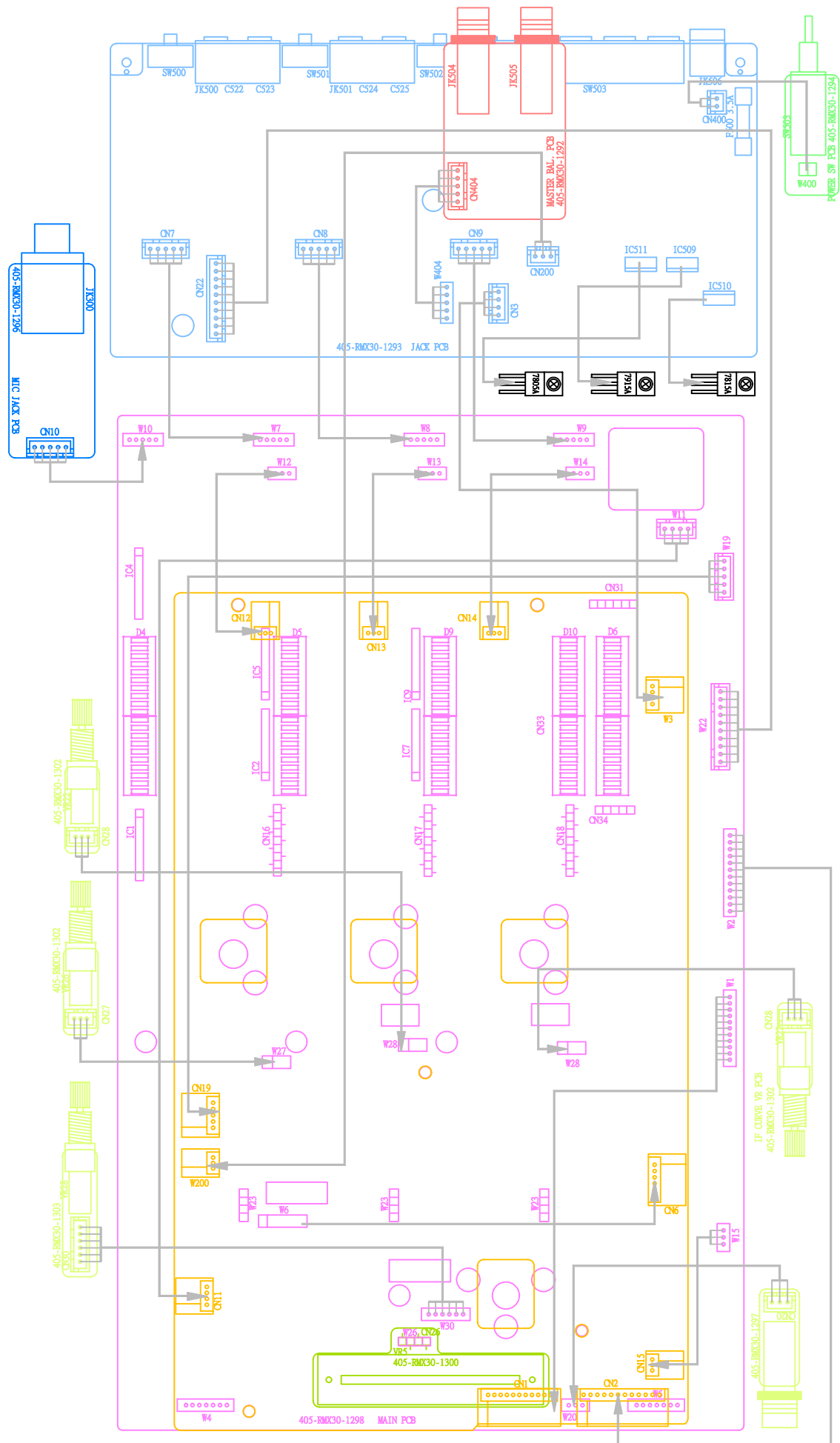
BPM BLOCK DIAGRAM (RMX-30BPM)



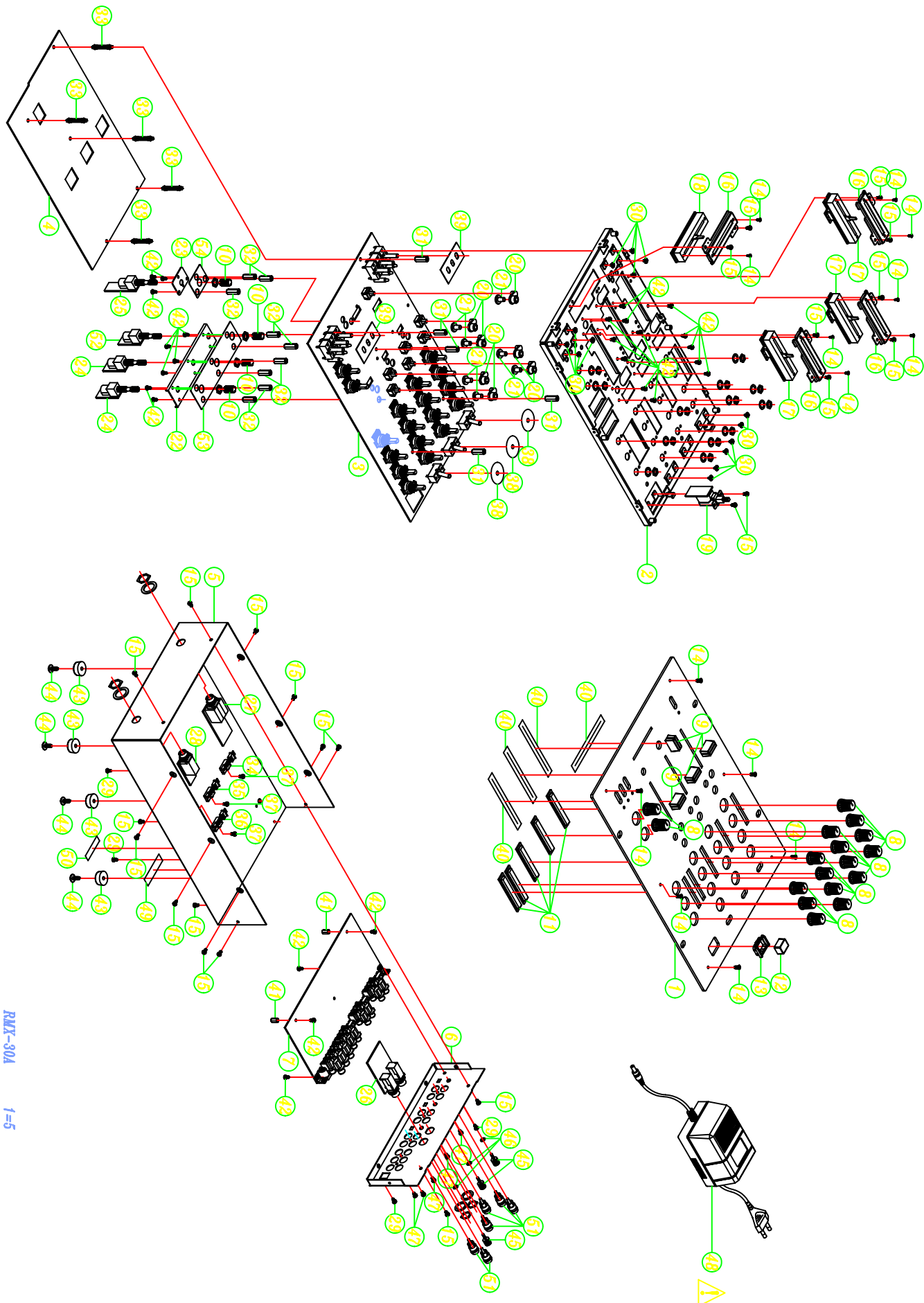
POINT TO POINT DIAGRAM (RMX-30)



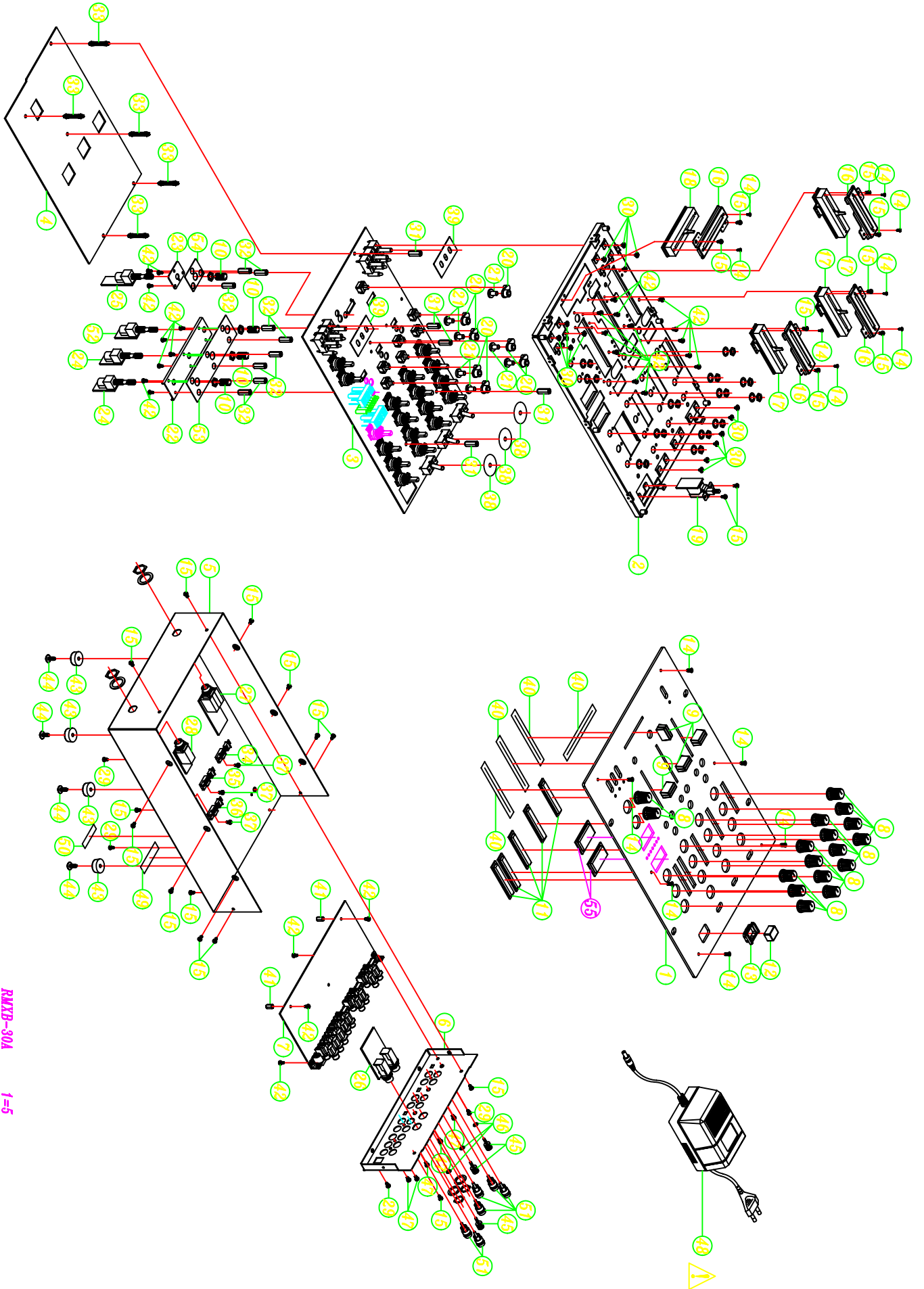
POINT TO POINT DIAGRAM (RMX-30BPM)



EXPLODED VIEW (RMX-30)



EXPLODED VIEW (RMX-30BPM)



RMXB-30A 1-5

EXPLODED VIEW PART LIST (RMX-30)

REF. NO.	DESCRIPTION	PART NO.	Q'TY	REMARK
1	FRONT PANEL	300-RMX30-1134	1	
2	FRONT BOARD ASS'Y	703-RMX30-863	1	
3	MIXER PCB ASS'Y	704-RMX30-5123	1	
4	EQ PCB ASS'Y	704-RMX30-5124	1	
5	BOTTOM BASE	300-RMX30-1136	1	
6	BACK BOARD	300-RMX30-1137	1	
7	OUTPUT PCB ASS'Y	704-RMX30-5125	1	
8	ROTATE KNOB(SEMICIRCLE)	100-SCX2-2211	17	
9	PUSH KNOB(LARGE)	100-SCX2-2212	4	
10	VR SHEATH	300-SCX2-1125	4	
11	DECORATION FOR LED	100-RMX50-2207	5	
12	POWER KNOB	100-RMX50-1641	1	
13	KNOB PROTECTOR	100-RMX50-1642	1	
14	SCREW(CTF,3*7)	602-AKS4-496B	14	
15	SCREW(BTB,3*5,ZB)	602-QMX2BPM-322	24	
16	VR FIXED PLATE	300-SCX2-1133	4	
17	CH VR PCB ASS'Y	704-RMX30-5128	3	
18	FADER PCB ASS'Y	704-RMX30-5129	1	
19	POWER SW PCB ASS'Y	704-RMX30-5133	1	
20	PUSH KNOB	100-Q3433-2208	7	
21	THROW GRANULE	100-Q2411-2206	7	
22	EFFECT FIXED PLATE(LARGE)	300-RMX30-1138	1	
23	EFFECT FIXED PLATE(SMALL)	300-RMX30-1139	1	
24	IF CURVE VR(10K) PCB ASS'Y	704-RMX30-5131	2	
25	CF CURVE VR PCB ASS'Y	704-RMX30-5132	1	
26	MASTER BAL PCB ASS'Y	704-RMX30-5126	1	
27	MIC PCB ASS'Y	704-RMX30-5127	1	
28	PHONE PCB ASS'Y	704-RMX30-5134	1	
29	SCREW(M3*P0.5*5L)	602-MP3-324	4	
30	SCREW(2.6*4 P=0.45)	602-MK7-134	14	
31	SLEEVE(6*10.2L)	200-HPR1-331	4	
32	FIXED PILLAR(SHORT)	200-SCX2-437	9	
33	PCB HOLDER(KCA-20)	504-HDJ2650-080	5	
34	IC(NJM7815FA 3PIN)	417-DV330-216	1	
35	IC(NJM7915FA)	417-RCC955A-291	1	
36	IC 7805	417-KC730-123	1	
37	SCREW (BTB 3*6ES ,BLACK)	602-CDC2050-345	3	
38	CUSHION(28*4.8*0.5t)	612-Q2422-102	3	
39	CUSHION(26*10mm,t=0.5mm)	612-HPT1-163	2	
40	HIMILON	612-HDJ100-045	4	
41	FIXED PILLAR FOR OUTPUT	200-RMX30-438	2	
42	SCREW(3*5 P=0.5)	602-B300-041	30	
43	RUBBER FOR FOOT(PVC,70%)	604-BEAT4-238	4	
44	SCREW(STB,4*8,ZB)	602-BEAT4-440	4	
45	GROUND PIN	200-DJ100-231	3	
46	WASHER(8*3.2*1t,NI)	606-Q2221-122	3	
47	SCREW(3*10 ZK PTP)	602-MK7-131	5	
48	TRANSFORMER	411-RMX20-373	1	
49	RATING LABEL	501-RMX30A-1249	1	
50	SERIES NO. LABEL	501-DV300-1067	1	

EXPLODED VIEW PART LIST (RMX-30)

REF. NO.	DESCRIPTION	PART NO.	Q'TY	REMARK
51	RCA ADAPTOR PLUG(A028)	420-Q3433-106	6	
52	IF CURVE VR(20K) PCB ASS'Y	704-RMX30-5130	1	
53	SEPARATELY SLICE(LARGE)	501-RMX30-1773	1	
54	SEPARATELY SLICE(SMAILL)	501-RMX30-1775	1	

EXPLODED VIEW PART LIST (RMX-30BPM)

REF. NO.	DESCRIPTION	PART NO.	Q'TY	REMARK
1	FRONT PANEL	300-30BPM-1134	1	
2	FRONT BOARD ASS'Y	703-RMX30-863	1	
3	MIXER PCB ASS'Y	704-RMXB30-5136	1	
4	EQ PCB ASS'Y	704-RMXB30-5137	1	
5	BOTTOM BASE	300-RMX30-1136	1	
6	BACK BOARD	300-RMX30-1137	1	
7	OUTPUT PCB ASS'Y	704-RMX30-5125	1	
8	ROTATE KNOB(SEMICIRCLE)	100-SCX2-2211	17	
9	PUSH KNOB(LARGE)	100-SCX2-2212	4	
10	VR SHEATH	300-SCX2-1125	4	
11	DECORATION FOR LED	100-RMX50-2207	5	
12	POWER KNOB	100-RMX50-1641	1	
13	KNOB PROTECTOR	100-RMX50-1642	1	
14	SCREW(CTF,3*7)	602-AKS4-496B	14	
15	SCREW(BTB,3*5,ZB)	602-QMX2BPM-322	24	
16	VR FIXED PLATE	300-SCX2-1133	4	
17	CH VR PCB ASS'Y	704-RMX30-5128	3	
18	FADER PCB ASS'Y	704-RMX30-5129	1	
19	POWER SW PCB ASS'Y	704-RMX30-5133	1	
20	PUSH KNOB	100-Q3433-2208	7	
21	THROW GRANULE	100-Q2411-2206	7	
22	EFFECT FIXED PLATE(LARGE)	300-RMX30-1138	1	
23	EFFECT FIXED PLATE(SMALL)	300-RMX30-1139	1	
24	IF CURVE VR(10K) PCB ASS'Y	704-RMX30-5131	2	
25	CF CURVE VR PCB ASS'Y	704-RMX30-5132	1	
26	MASTER BAL PCB ASS'Y	704-RMX30-5126	1	
27	MIC PCB ASS'Y	704-RMX30-5127	1	
28	PHONE PCB ASS'Y	704-RMX30-5134	1	
29	SCREW(M3*P0.5*5L)	602-MP3-324	4	
30	SCREW(2.6*4 P=0.45)	602-MK7-134	14	
31	SLEEVE(6*10.2L)	200-HPR1-331	4	
32	FIXED PILLAR(SHORT)	200-SCX2-437	9	
33	PCB HOLDER(KCA-20)	504-HDJ2650-080	5	
34	IC(NJM7815FA 3PIN)	417-DV330-216	1	
35	IC(NJM7915FA)	417-RCC955A-291	1	
36	IC 7805	417-KC730-123	1	
37	SCREW (BTB 3*6ES ,BLACK)	602-CDC2050-345	3	
38	CUSHION(28*4.8*0.5t)	612-Q2422-102	3	
39	CUSHION(26*10mm,t=0.5mm)	612-HPT1-163	2	
40	HIMILON	612-HDJ100-045	4	
41	FIXED PILLAR FOR OUTPUT	200-RMX30-438	2	
42	SCREW(3*5 P=0.5)	602-B300-041	30	
43	RUBBER FOR FOOT(PVC,70%)	604-BEAT4-238	4	
44	SCREW(STB,4*8,ZB)	602-BEAT4-440	4	
45	GROUND PIN	200-DJ100-231	3	
46	WASHER(8*3.2*1t,NI)	606-Q2221-122	3	
47	SCREW(3*10 ZK PTP)	602-MK7-131	5	
48	TRANSFORMER	411-RMX20-373	1	
49	RATING LABEL	501-RMXB30A-1249	1	
50	SERIES NO. LABEL	501-DV300-1067	1	

EXPLODED VIEW PART LIST (RMX-30BPM)

REF. NO.	DESCRIPTION	PART NO.	Q'TY	REMARK
51	RCA ADAPTOR PLUG(A028)	420-Q3433-106	6	
52	IF CURVE VR(20K) PCB ASS'Y	704-RMX30-5130	1	
53	SEPARATELY SLICE(LARGE)	501-RMX30-1773	1	
54	SEPARATELY SLICE(SMALL)	501-RMX30-1775	1	
55	3-8 LED DECORATION	100-RMX50-2220	2	

FRONT BOARD & MIXER PCB ASS'Y PART LIST (RMX-30)

REF. NO.	DESCRIPTION	PART NO.	Q'TY
	FRONT BOARD & MIXER PCB ASS'Y	704-RMX30-5157	1
	SLEEVE(6*10.2L)	200-HPR1-331	4
	SPACER SUPPORT(H-20)	504-RMX30-157	9
	SCREW(3*5 P=0.5)	602-B300-041	17
	SCREW(2.6*4 P=0.45)	602-MK7-134	14
	SCREW(BTB,3*5,ZB)	602-QMX2BPM-322	10
	PLASTIC SCREW(S-306-N66)	602-SPANDMK2-536	18
	FRONT BOARD ASS'Y	703-RMX30-863	1
	SHAFT	200-SCX2-435	6
	FRONT BOARD	300-RMX30-1135	1
	MIXER PCB ASS'Y	704-RMX30-5123	1
SW7-12	PUSH SW(SPEA12MC05-HF)	403-AK4-196	7
SW14-16	LEVER SW(LBC22B-20KB,6PIN)	403-CDMIX1-114B	3
SW1-6	LEVER SW(LBCR23M-20K)	403-T2-183	6
W7-9	5P2.5 CONNECTOR WIRE(L=140mm,AWM2877 AWG26)	404-BEAT4-1605	3
W20	3P 2.5 CONNECTOR WIRE(L=460mm,AWM2877,AWG26)	404-EFX2-1855	1
W27,W28*2	3P2.5 CONNECTOR WIRE(L=100mm,AWM2877 AWG26)	404-HPM7-1602	3
W22	10P 2.5 CONNECTOR WIRE(L=310mm,AWM2547/1007,AWG28/26)	404-RMX30-1841	1
W4,W5	7P 2.5 CONNECTOR WIRE(L=270mm,AWM2877,AWG26)	404-RMX30-1842	2
W6	6P 2.5 CONNECTOR WIRE(L=280mm,AWM2877,AWG26)	404-RMX30-1846	1
W19	5P 2.5 CONNECTOR WIRE(L=330mm,AWM2877,AWG26)	404-RMX30-1847	1
CN31	6P CONNECTOR(P=2.54mm,SHD106-A03 TYPE)	404-SA12-1351	1
W30	6P2.5 CONNECTOR WIRE(L=140mm,AWM2877 AWG26)	404-SA12-1404	1
W12-14	3P2.5 CONNECTOR WIRE(L=95mm,AWM2877 AWG26)	404-T2-1692	3
W10	5P2.5 CONNECTOR WIRE(L=320mm,AWM2877 AWG26)	404-T2-1694	1
CN32-34	5P2.54 CONNECTOR(SHD106-A03 TYPE)	404-T2-1705	3
CN16-18	9P2.54 CONNECTOR(SHD106-A03 TYPE)	404-T2-1707	3
W15	3P 2.5 CONNECTOR WIRE(L=95mm,AWM2877,AWG26)	404-T2D-1815	1
D27-36	LED(RED)	410-CD6000-122	10
D37-39	LED(GREEN)	410-CD6000-124	3
D4,D5,D9	LED BAR(RED/GREEN,LTA-10102M-01)	410-RMX30-260	3
D1,D2,D7	LED BAR(GREEN,LTA-1000G-08)	410-RMX30-261	3
IC23	INTEGRATED CIRCUIT(NJM-4556AD)	417-3113-018	1
IC20-22	IC(BA15218,DIP-8)	417-AK4-644	3
IC1,IC2,IC5,IC7, IC9,IC4	IC B1403N OR BA6124 SIP9	417-HT801K-097	6
IC14,IC15	IC(BA10358,DIP-8)	417-QD5-505	2
VR23	RITARY VR(20KMN,RK16K124A031-20KMN(HF))	418-BEAT4-178	1
VR6-8,VR13	VR(20KB*2,RK16K12D0023-20KB*2(HF))	418-Q2221-084	4
VR24,VR25	VR(50KB*2,RK16K12D0038-50KB*2(HF))	418-Q2422-089	2

FRONT BOARD & MIXER PCB ASS'Y PART LIST (RMX-30)

REF. NO.	DESCRIPTION	PART NO.	Q'TY
VR9-11,VR14-19	ROTARY VR(20K2B*2,RK16K124A01A-20K2B*2(HF))	418-RMX30-254	9
VR12	ROTARY VR(20KB*2,RK16K12DA002-20-20KB*2(HF))	418-T2-184	1
W26,W23*3	4P STRIP PIN HEADER(L=15mm,P=2.54mm,180 DEGREES)	424-CDN24A-014	4
D33-39	LED HOLDER(LED-4.5A,H=4.5mm,WHITE)	504-BJ2300-039	7
D1*3,D2*3,D4*3,D5*3,D7*3,D9*3	LED HOLDER(LED3-9A-B,H=9.2mm,BLACK)	504-HDJ2000-076	18
D27-32	LED HOLDER(LED-16A,H=16.4mm,WHITE)	504-Q2221-077	6
D6*2,D8*2,D10*2,D3*2	LED HOLDER(LED3-6,H=6mm,WHITE)	504-RMX30-158	8
	PLASTIC SCREW(S-306-N66)	602-SPANDMK2-536	10
C46-51	CERAMIC CAPACITOR(220pF/50V,K,TAPING,Y5P)	413-3113-032	6
C35-41,C58-63	ELEC. CAPACITOR(10uF/50V,M,TAPING 5*7,MINI)	413-DM1000-348	13
C1,C2,C5-7,C9,C18-20,C27,C28,C33,C34	ELEC. CAPACITOR(2.2uF/50V,M,TAPING 4*7,MINI)	413-DV300-5156	13
C71-75,C64,C65	CERAMIC CAPACITOR(0.02uF/50V,Z,TAPING,Z5V)	413-H461-003	7
C32	ELEC. CAPACITOR(4.7uF/50V,M,TAPING 4*7,MINI)	413-HT801K-191	1
C13,C14,C16,C42-45,C70,C52-57	ELEC. CAPACITOR(100uF/16V,M,TAPING 6*7,MINI)	413-HT801K-193	14
C66,C67	CERAMIC CAPACITOR(100pF/50V,J,TAPING,SL)	413-PXE90-107	2
C29-31	CERAMIC CAPACITOR(0.039uF/50V,Z,TAPING,Y5V)	413-QD5-693	3
C68,C69	ELEC. CAPACITOR(220uF/16V,M,TAPING 6*7,MINI)	413-RMX30-883	2
C76-82	ELEC. CAPACITOR(1uF/50V,M,TAPING 4*7,MINI)	413-SPPW3-234	7
C21-26	ELEC. CAPACITOR(22uF/16V,M,TAPING 4*7,MINI)	413-SPPW3-236	6
Q9,Q8	TRANSISTOR(2SD1468 TAPING)	416-3113-009	2
Q1-7	TRANSISTOR(2SA1015/2SA1015-GR,TAPING)	416-KE200X-021	7
R195-200	CARBON FILM RESISTOR(5.6K OHM,1/6W,J,T-26)	412-3113-044	6
R218-224	R218,R219,R220,R221,R222,R223,R224,	412-3113-047	7
R257-259	CARBON FILM RESISTOR(2.2K OHM,1/6W,J,T-26)	412-3113-048	3
R209,R210	CARBON FILM RESISTOR(12K OHM,1/6W,J,T-26)	412-3113-051	2
R84-93	CARBON FILM RESISTOR(39K OHM,1/6W,J,T-26)	412-3113-052	10
R150,R151,R152,R153,R154,R155,R156,R157,R158,R159,R160,R161,R162,R163,R164,R165,R166,R167,R168,R169,R170,R171,R172,R173,R174,R175,R176	CARBON FILM RESISTOR(4.7K OHM,1/6W,J,T-26)	412-3113-055	27
R214-217	CARBON FILM RESISTOR((3.3K OHM,1/6W,J,T-26)	412-3113-057	4
R140,R141,R142,R143,R144,R145,R146,R147,R148,R149,R111,R112,R114,R244	CARBON FILM RESISTOR(220 OHM,1/6W,J,T-26)	412-3113-058	14

FRONT BOARD & MIXER PCB ASS'Y PART LIST (RMX-30)

REF. NO.	DESCRIPTION	PART NO.	Q'TY
R238,R239	CARBON FILM RESISTOR(22K OHM,1/6W,J,T-26)	412-3113-059	2
R251-256	CARBON FILM RESISTOR(120K OHM,1/6W,J,T-26)	412-3113-062	6
R181,R182,R183,R184,R185,R186,R187,R188,R189,R190,R191,R192,R193,R194,R201,R202,R203,R204,R205,R206,R207,R208	CARBON FILM RESISTOR(47K OHM,1/6W,J,T-26)	412-3113-063	22
R49,R50,R51,R52,R53,R55,R56,R57,R58,R60,R61,R62,R63,R64,R65,R66,R67,R68,R69,R70,R71,R72,R73,R74,R75,R76,R78,R79,R80,R81,R82,R83	CARBON FILM RESISTOR(1.2K OHM,1/6W,J,T-26)	412-3113-067	32
R11,R12,R13,R14,R15,R16,R17,R18,R19,R20,R21,R22,R23,R24,R25,R26,R27,R28,R29,R30,R31,R32,R33,R34,R35,R36,R37,R38,R39,R40,R41,R42,R43,R44,R45,R46,R47,R48,R49,R5,R6,R7,R9	CARBON FILM RESISTOR(10K OHM,1/6W,J,T-26)	412-3113-068	44
R94,R95,R96,R97,R98,R212,R213,R245,R246	CARBON FILM RESISTOR(6.8K OHM,1/6W,J,T-26)	412-3113-069	9
R225,R226	CARBON FILM RESISTOR(680 OHM,1/6W,J,T-26)	412-3113-070	2
R116,R117,R118,R119,R120,R121,R122,R123,R124,R125,R126,R127,R128,R129,R130,R227,R228,	CARBON FILM RESISTOR((2.7K OHM,1/6W,J,T-26)	412-3113-073	17
R229-231	CARBON FILM RESISTOR(1.8K OHM,1/6W,J,T-26)	412-3113-075	3
R103-110	CARBON FILM RESISTOR(1K OHM,1/6W,J,T-26)	412-3113-078	8
R54,R59,R77,R232,R233,R234,R235,R236,R237	CARBON FILM RESISTOR(1.5K OHM,1/6W,J,T-26)	412-D396-135	9
R242,R243	CARBON FILM RESISTOR(68 OHM,1/6W,J,T-26)	412-HP1010K-196	2
R249,R250	CARBON FILM RESISTOR(10 OHM,1/6W,J,T-26)	412-KC220-132	2
R211	CARBON FILM RESISTOR(8.2K OHM,1/6W,J,T-26)	412-KM500-123	1
R178-180	CARBON FILM RESISTOR(56 OHM,1/6W,J,T-26)	412-KT346-113	3

FRONT BOARD & MIXER PCB ASS'Y PART LIST (RMX-30)

REF. NO.	DESCRIPTION	PART NO.	Q'TY
R240,R241	CARBON FILM RESISTOR(33 OHM,1/6W,J,T-26)	412-MPG100-255	2
	MIXER PCB(BARE)	405-RMX30-1298	1
IC11-13	IC(TC4066BFN/BU4066BCF/BU4066BCF-E2.SOP-14)	417-QMX2-190	3
IC16-19	IC(HEF4013BTR,SOP14)	417-RMX30-704	4
	LED BAR PCB ASS'Y	704-RMX30-5135	2
	LED BAR PCB(BARE)	405-RMX30-1301	1
ND1	LED BAR(RED/GREEN,LTA-10102M-01)	410-RMX30-260	1
ND2	LED BAR(GREEN,LTA-1000G-08)	410-RMX30-261	1
	EQ PCB ASS'Y	704-RMX30-5124	1
W3	4P2.5 CONNECTOR WIRE(L=220mm,AWM2877 AWG26)	404-HPM11-1583	1
CN6	6P 2.5SOCKET(S6B-XH-A,90°,JST)	404-HV3500K-624	1
CN12-15	3P 2.5SOCKET(S3B-XH-A,90°,JST)	404-KMD3500-609	4
W200	3P 2.5 CONNECTOR WIRE(L=400mm,AWM2877,AWG26)	404-RMX30-1845	1
CN19	5P 2.5SOCKET(S5B-XH-A,90°,JST)	404-SPPW3-513	1
IC3,IC6,IC8,IC10	IC B1403N OR BA6124 SIP9	417-HT801K-097	4
IC316,IC317,IC325	IC(M51132L)	417-SA12-487	3
W31	6P STRIP PIN HEADER(L=31mm,P=2.54mm,180 DEGREES)	424-HDJ7500-058	1
W4A,W5A	7P 2.54 STRIP PIN HEADER(L=15mm,180°)	424-RMX30-097	2
W16-18	9P STRIP PIN HEADER(L=31mm,P=2.54mm,180 DEGREES)	424-RMX30-098	3
W32-34	5P2.54 STRIP PIN HEADER(L=31mm,180°)	424-T2-073	3
C398,C399,C432,C433,C434,C435,C436,C437,C515,C516	CERAMIC CAPACITOR(220pF/50V,K,TAPING,Y5P)	413-3113-032	10
C3,C4,C8,C10,C11,C12,C438,C439,C440,C441,C517,C518	ELEC. CAPACITOR(2.2uF/50V,M,TAPING 5*11)	413-3113-045	12
C446-453	ELEC. CAPACITOR(0.47uF/50V NP M TAPING)	413-3113-048	8
C400-407,C524-526,C442,C443,C521	ELEC. CAPACITOR(4.7uF/50V,M,TAPING 5*11)	413-3113-050	14
C300-307,C458-461	POLYESTER CAPACITOR(0.012uF/50V,J,TAPING)	413-3113-060	12
C348-367,C388-391,C497-506	ELEC. CAPACITOR(10uF/50V,M,TAPING 5*11)	413-DM1000-352	34
C346,C347,C488	ELEC. CAPACITOR(100uF/25V,M,TAPING 6.3*11)	413-HS100-180	3
C408-415,C466-469	POLYESTER CAPACITOR(0.0015uF/50V,J,TAPING)	413-HT7016-219	12
C368-383,C507-514	POLYESTER CAPACITOR(0.0047uF/100V,J,TAPING)	413-HT8015-159	24
C316-323,C470-473	POLYESTER CAPACITOR(0.027uF/50V,J,TAPING)	413-HT8015-161	12
C444,C445,527	ELEC. CAPACITOR(22uF/16V,M,TAPING 5*11)	413-HT8015-163	3

FRONT BOARD & MIXER PCB ASS'Y PART LIST (RMX-30)

REF. NO.	DESCRIPTION	PART NO.	Q'TY
C308-315,C462-465	POLYESTER CAPACITOR(0.0033uF/100V,J,TAPING)	413-KT300-103	12
C384-387	ELEC. CAPACITOR(47uF/16V,M,TAPING 5*11)	413-KT350-085	4
C416-431,C489-496	POLYESTER CAPACITOR(0.033uF/100V,J,TAPING)	413-KT350-088	24
C15,17,324-345,392,393,394,395,396,397,474-483	ELEC.CAPACITOR(100uF/16V,M,TAPING 5*11)	413-PXE90-109	40
R411-420,R600,R601	CARBON FILM RESISTOR(5.6K OHM,1/6W,J,T-26)	412-3113-044	12
R300-315,R494-501	CARBON FILM RESISTOR(33K OHM,1/6W,J,T-26)	412-3113-045	24
R455-459,R608,R609	CARBON FILM RESISTOR(100K OHM,1/6W,J,T-26)	412-3113-047	7
R392,R396-398,R402-404,R579,R580,R406,R576,R577	CARBON FILM RESISTOR(2.2K OHM,1/6W,J,T-26)	412-3113-048	12
R371,R372,R375,R378,R380,R382,R384,R386,R566,R568,R570,R572,R439,R440,R441,R442,R443,R444,R445,R446,R555,R556,R557,R565	CARBON FILM RESISTOR(12K OHM,1/6W,J,T-26)	412-3113-051	24
R373,R374,R376,R377,R379,R381,R383,R385,R567,R569,R571,R554	CARBON FILM RESISTOR(27K OHM,1/6W,J,T-26)	412-3113-054	12
R407,R408,R409,R410,R393,R394,R399,R400	CARBON FILM RESISTOR((3.3K OHM,1/6W,J,T-26)	412-3113-057	8
R113,R115,R318,R319,R320,R321,R322,R323,R324,R325,R326,R327,R328,R329,R330,R331,R332,R333,R334,R335,R336,R337,R338,R339,R340,R341,R342,R343,R344,R345,R346,R347,R512,R513,R514,R515,R516,R517,R518,R519,R520,R521,R522	CARBON FILM RESISTOR(220 OHM,1/6W,J,T-26)	412-3113-058	43

FRONT BOARD & MIXER PCB ASS'Y PART LIST (RMX-30)

REF. NO.	DESCRIPTION	PART NO.	Q'TY
R421,R422,R423,R424,R425,R426,R427,R428,R429,R430,R431,R432,R433,R434,R435,R436,R437,R438,R478,R479,R480,R481,R502,R503,R504,R505,R506,R507,R508,R509,R468,R469	CARBON FILM RESISTOR((18K OHM,1/6W,J,T-26)	412-3113-061	32
R348-360,R543-548	CARBON FILM RESISTOR(47K OHM,1/6W,J,T-26)	412-3113-063	19
R3,R4,R8,R10,R448,R450,R583,R584,R585,R471,R473,R474,R476	CARBON FILM RESISTOR(10K OHM,1/6W,J,T-26)	412-3113-068	13
R361-368,R561-564	CARBON FILM RESISTOR(6.8K OHM,1/6W,J,T-26)	412-3113-069	12
R464-467,R614,R616,R101,R102,R391,R395,R401,R405,R575,R578	CARBON FILM RESISTOR(1K OHM,1/6W,J,T-26)	412-3113-078	14
R451,R452,R453,R454,R598,R599	CARBON FILM RSISTOR(11K OHM,1/6W,J,T-26)	412-DCM370E3-436	6
R99,R100	CARBON FILM RESISTOR(6.2K OHM,1/6W,J,T-26)	412-HV3363K-349	2
R484-487	CARBON FILM RESISTOR(36K OHM,1/6W,J,T-26)	412-HV3363K-351	4
	EQ PCB(BARE)	405-RMX30-1295	1
IC308,IC309	IC(TC4053BFN/BU4053CF-E2/BU4053BCF,SOP-16)	417-2422MK2-695	2
IC300-307,IC319-322	IC(NJM-2060V-TE1,SMD)	417-PRO1000-502	12
IC310-315,IC323	IC(BA15218F/BA15218FE2,SOP-8)	417-QMX2-167	7
	CH VR PCB ASS'Y	704-RMX30-5128	3
	VR FIXED PLATE	300-RMX40-1148	1
CN23	4P CONNECTOR(P=2.54mm,SHD106-A03 TYPE)	404-QFX19-1621	1
	CH VR PCB(BARE)	405-RMX30-1299	1
J37	JUMPER(0.6mm,L=5mm,H=10mm)	406-2002-106	1
VR1	VR(RA60D2-211-15D1-0B100K-0025)	418-RMX30-230	1
	SCREW(CTF,3*7)	602-AKS4-496B	2
	FADER PCB ASS'Y	704-RMX30-5129	1
	VR FIXED PLATE	300-SCX2-1133	1
CN26	4P CONNECTOR(P=2.54mm,SHD106-A03 TYPE)	404-QFX19-1621	1
	CROSS FADER PCB(BARE)	405-RMX30-1300	1
VR5	CROSS FADER(RA45D2-211-15D1-0B20K-0025)	418-RMX30-231	1
	SCREW(CTF,3*7)	602-AKS4-496B	2
	POWER SW PCB ASS'Y	704-RMX30-5133	1
SW503	POWER SW(SDDL B1017U-HF,2PIN)	403-A100-005	1

FRONT BOARD & MIXER PCB ASS'Y PART LIST (RMX-30)

REF. NO.	DESCRIPTION	PART NO.	Q'TY
W400	2P2.5 CONNECTOR WIRE(L=150mm,AWM1007 AWG26)	404-DJ3000A-1774	1
	POWER SW PCB(BARE)	405-RMX30-1294	1
C588	CERAMIC CAPACITOR(0.01uF/50V,Z,TAPING,Z5V)	413-3113-028	1
	IF CURVE VR & FIXED PLATE ASS'Y	704-RMX30-5159	1
	FIXED PILLAR(SHORT)	200-SCX2-437	6
	EFFECT FIXED PLATE(LARGE)	300-RMX30-1138	1
	VR SHEATH	300-SCX2-1125	3
	SEPARATELY SLICE(LARGE)	501-RMX30-1773	1
	SCREW(3*5 P=0.5)	602-B300-041	6
	IF CURVE VR(20K) PCB ASS'Y	704-RMX30-5130	1
CN27	3P SOCKET(B3B-XH-A,P=2.5mm,JST,180 DEGREE)	404-HV3500K-623	1
	IF CURVE VR PCB(BARE)	405-RMX30-1302	1
VR4	HIDDEN VR(20KA,RD097111T09K-20KA(HF))	418-RMX30-233	1
	IF CURVE VR(10K) PCB ASS'Y	704-RMX30-5131	2
CN27/28	3P SOCKET(B3B-XH-A,P=2.5mm,JST,180 DEGREE)	404-HV3500K-623	1
	IF CURVE VR PCB(BARE)	405-RMX30-1302	1
VR26/22	HIDDEN VR(10KB,RD097111T08J-10KB(HF))	418-RMX30-232	1
	CF CURVE VR & FIXED PLATE ASS'Y	704-RMX30-5160	1
	FIXED PILLAR(SHORT)	200-SCX2-437	3
	EFFECT FIXED PLATE(SMALL)	300-RMX30-1139	1
	VR SHEATH	300-SCX2-1125	1
	SEPARATELY SLICE(SMALL)	501-RMX30-1775	1
	SCREW(3*5 P=0.5)	602-B300-041	3
	CF CURVE VR PCB ASS'Y	704-RMX30-5132	1
CN30	6P SOCKET(B6B-XH-A,P=2.5mm,JST,180 DEGREE)	404-HV3500K-630	1
	CF CURVE VR PCB(BARE)	405-RMX30-1303	1
VR28	HIDDEN VR(20KA*2,RD097122T06G-20KA*2(HF))	418-RMX30-234	1

FRONT BOARD & MIXER PCB ASS'Y PART LIST (RMX-30BPM)

REF. NO.	DESCRIPTION	PART NO.	Q'TY
	FRONT BOARD & MIXER PCB ASS'Y	704-RMXB30-5164	1
	SLEEVE(6*10.2L)	200-HPR1-331	4
	SPACER SUPPORT(H-20)	504-RMX30-157	9
	SCREW(3*5 P=0.5)	602-B300-041	17
	SCREW(2.6*4 P=0.45)	602-MK7-134	14
	SCREW(BTB,3*5,ZB)	602-QMX2BPM-322	10
	PLASTIC SCREW(S-306-N66)	602-SPANDMK2-536	18
	FRONT BOARD ASS'Y	703-RMX30-863	1
	SHAFT	200-SCX2-435	6
	FRONT BOARD	300-RMX30-1135	1
	CH VR PCB ASS'Y	704-RMX30-5128	3
	VR FIXED PLATE	300-RMX40-1148	1
CN23	4P CONNECTOR(P=2.54mm,SHD106-A03 TYPE)	404-QFX19-1621	1
	CH VR PCB(BARE)	405-RMX30-1299	1
J37	JUMPER(0.6mm,L=5mm,H=10mm)	406-2002-106	1
VR1	VR(RA60D2-211-15D1-0B100K-0025)	418-RMX30-230	1
	SCREW(CTF,3*7)	602-AKS4-496B	2
	FADER PCB ASS'Y	704-RMX30-5129	1
	VR FIXED PLATE	300-SCX2-1133	1
CN26	4P CONNECTOR(P=2.54mm,SHD106-A03 TYPE)	404-QFX19-1621	1
	CROSS FADER PCB(BARE)	405-RMX30-1300	1
VR5	CROSS FADER(RA45D2-211-15D1-0B20K-0025)	418-RMX30-231	1
	SCREW(CTF,3*7)	602-AKS4-496B	2
	POWER SW PCB ASS'Y	704-RMX30-5133	1
SW503	POWER SW(SDDL1017U-HF,2PIN)	403-A100-005	1
W400	2P2.5 CONNECTOR WIRE(L=150mm,AWM1007 AWG26)	404-DJ3000A-1774	1
	POWER SW PCB(BARE)	405-RMX30-1294	1
C588	CERAMIC CAPACITOR(0.01uF/50V,Z,TAPING,Z5V)	413-3113-028	1
	IF CURVE VR & FIXED PLATE ASS'Y	704-RMX30-5159	1
	FIXED PILLAR(SHORT)	200-SCX2-437	6
	EFFECT FIXED PLATE(LARGE)	300-RMX30-1138	1
	VR SHEATH	300-SCX2-1125	3
	SEPARATELY SLICE(LARGE)	501-RMX30-1773	1
	SCREW(3*5 P=0.5)	602-B300-041	6
	IF CURVE VR(20K) PCB ASS'Y	704-RMX30-5130	1
CN27	3P SOCKET(B3B-XH-A,P=2.5mm,JST,180 DEGREE)	404-HV3500K-623	1
	IF CURVE VR PCB(BARE)	405-RMX30-1302	1
VR4	HIDDEN VR(20KA,RD097111T09K-20KA(HF))	418-RMX30-233	1
	IF CURVE VR(10K) PCB ASS'Y	704-RMX30-5131	2
CN27/28	3P SOCKET(B3B-XH-A,P=2.5mm,JST,180 DEGREE)	404-HV3500K-623	1
	IF CURVE VR PCB(BARE)	405-RMX30-1302	1
VR26/22	HIDDEN VR(10KB,RD097111T08J-10KB(HF))	418-RMX30-232	1
	CF CURVE VR & FIXED PLATE ASS'Y	704-RMX30-5160	1
	FIXED PILLAR(SHORT)	200-SCX2-437	3
	EFFECT FIXED PLATE(SMALL)	300-RMX30-1139	1
	VR SHEATH	300-SCX2-1125	1
	SEPARATELY SLICE(SMALL)	501-RMX30-1775	1

FRONT BOARD & MIXER PCB ASS'Y PART LIST (RMX-30BPM)

REF. NO.	DESCRIPTION	PART NO.	Q'TY
	SCREW(3*5 P=0.5)	602-B300-041	3
	CF CURVE VR PCB ASS'Y	704-RMX30-5132	1
CN30	6P SOCKET(B6B-XH-A,P=2.5mm,JST,180 DEGREE)	404-HV3500K-630	1
	CF CURVE VR PCB(BARE)	405-RMX30-1303	1
VR28	HIDDEN VR(20KA*2,RD097122T06G-20KA*2(HF))	418-RMX30-234	1
	MIXER PCB ASS'Y	704-RMXB30-5136	1
SW7,SW11,SW8,SW13,SW10,SW12,SW9	PUSH SW(SPEA12MC05-HF)	403-AK4-196	7
SW14-16	LEVER SW(LBC22B-20KB,6PIN)	403-CDMIX1-114B	3
SW1-6	LEVER SW(LBCR23M-20K)	403-T2-183	6
W7-9	5P2.5 CONNECTOR WIRE(L=140mm,AWM2877 AWG26)	404-BEAT4-1605	3
W20	3P 2.5 CONNECTOR WIRE(L=460mm,AWM2877,AWG26)	404-EFX2-1855	1
W1	10P2.5 CONNECTOR WIRE(L=220mm,AWM2877 AWG26)	404-HDJ9700-1562	1
W27,W28*2	3P2.5 CONNECTOR WIRE(L=100mm,AWM2877 AWG26)	404-HPM7-1602	3
W22	10P 2.5 CONNECTOR WIRE(L=310mm,AWM2547/1007,AWG28/26)	404-RMX30-1841	1
W4,W5	7P 2.5 CONNECTOR WIRE(L=270mm,AWM2877,AWG26)	404-RMX30-1842	2
W2	11P 2.5 CONNECTOR WIRE(L=280mm,AWN2877,AWG26)	404-RMX30-1844	1
W6	6P 2.5 CONNECTOR WIRE(L=280mm,AWM2877,AWG26)	404-RMX30-1846	1
W19	5P 2.5 CONNECTOR WIRE(L=330mm,AWM2877,AWG26)	404-RMX30-1847	1
W11	4P 2.5 CONNECTOR WIRE(L=400mm,AWM2877,AWG26)	404-RMX30-1848	1
CN31	6P CONNECTOR(P=2.54mm,SHD106-A03 TYPE)	404-SA12-1351	1
W30	6P2.5 CONNECTOR WIRE(L=140mm,AWM2877 AWG26)	404-SA12-1404	1
W12-14	3P2.5 CONNECTOR WIRE(L=95mm,AWM2877 AWG26)	404-T2-1692	3
W10	5P2.5 CONNECTOR WIRE(L=320mm,AWM2877 AWG26)	404-T2-1694	1
CN32-34	5P2.54 CONNECTOR(SHD106-A03 TYPE)	404-T2-1705	3
CN16-18	9P2.54 CONNECTOR(SHD106-A03 TYPE)	404-T2-1707	3
W15	3P 2.5 CONNECTOR WIRE(L=95mm,AWM2877,AWG26)	404-T2D-1815	1
D13,D24,D27-36	LED(RED)	410-CD6000-122	12
D15,D16,D18,D23	LED(YELLOW)	410-CD6000-123	4
D17,D37,D38,D39	LED(GREEN)	410-CD6000-124	4
D4,D5,D9	LED BAR(RED/GREEN,LTA-10102M-01)	410-RMX30-260	3
D1,D2,D7	LED BAR(GREEN,LTA-1000G-08)	410-RMX30-261	3
D11,D12	DISPLAY(LTC-4624P-K1)	410-RMX30-262	2
IC23	INTEGRATED CIRCUIT(NJM-4556AD)	417-3113-018	1
IC20-22	IC(BA15218,DIP-8)	417-AK4-644	3

FRONT BOARD & MIXER PCB ASS'Y PART LIST (RMX-30BPM)

REF. NO.	DESCRIPTION	PART NO.	Q'TY
IC1,IC2,IC4,IC5, IC7,IC9	IC B1403N OR BA6124 SIP9	417-HT801K-097	6
IC14,IC15	IC(BA10358,DIP-8)	417-QD5-505	2
VR23	RITARY VR(20KMN,RK16K124A031-20KMN(HF))	418-BEAT4-178	1
VR6-8,VR13	VR(20KB*2,RK16K12D0023-20KB*2(HF))	418-Q2221-084	4
VR24,VR25	VR(50KB*2,RK16K12D0038-50KB*2(HF))	418-Q2422-089	2
VR9-11,VR14- 19	ROTARY VR(20K2B*2,RK16K124A01A-20K2B*2(HF))	418-RMX30-254	9
VR12	ROTARY VR(20KB*2,RK16K12DA002-20-20KB*2(HF))	418-T2-184	1
W26,W23*3	4P STRIP PIN HEADER(L=15mm,P=2.54mm,180 DEGREES)	424-CDN24A-014	4
D33-39	LED HOLDER(LED-4.5A,H=4.5mm,WHITE)	504-BJ2300-039	7
D1*3,D2*3,D4*3, D5*3,D7*3,D9*3, D11*3,D12*3	LED HOLDER(LED3-9A-B,H=9.2mm,BLACK)	504-HDJ2000-076	24
D27-32	LED HOLDER(LED-16A,H=16.4mm,WHITE)	504-Q2221-077	6
D3*2,D6*2,D8*2, D10*2	LED HOLDER(LED3-6,H=6mm,WHITE)	504-RMX30-158	8
D13,D15- 18,D23,D24	LED HOLDER(LED3-16,H=16mm,WHITE)	504-RMX30-161	7
	PLASTIC SCREW(S-306-N66)	602-SPANDMK2-536	10
	LED BAR PCB ASS'Y	704-RMX30-5135	2
	LED BAR PCB(BARE)	405-RMX30-1301	1
ND1	LED BAR(RED/GREEN,LTA-10102M-01)	410-RMX30-260	1
ND2	LED BAR(GREEN,LTA-1000G-08)	410-RMX30-261	1
C46-51	CERAMIC CAPACITOR(220pF/50V,K,TAPING,Y5P)	413-3113-032	6
C35-41,C58-63	ELEC. CAPACITOR(10uF/50V,M,TAPING 5*7,MINI)	413-DM1000-348	13
C1,C2,C5,C6,C7 ,C9,C18,C19,C2 0,C27,C28,C33, C34	ELEC. CAPACITOR(2.2uF/50V,M,TAPING 4*7,MINI)	413-DV300-5156	13
C64,C65,C71-75	CERAMIC CAPACITOR(0.02uF/50V,Z,TAPING,Z5V)	413-H461-003	7
C32	ELEC. CAPACITOR(4.7uF/50V,M,TAPING 4*7,MINI)	413-HT801K-191	1
C13,C14,C16,C 42,C43,C44,C45 ,C52,C53,C54,C 55,C56,C57,C70	ELEC. CAPACITOR(100uF/16V,M,TAPING 6*7,MINI)	413-HT801K-193	14
C66,C67	CERAMIC CAPACITOR((100pF/50V,J,TAPING,SL)	413-PXE90-107	2
C29-31	CERAMIC CAPACITOR(0.039uF/50V,Z,TAPING,Y5V)	413-QD5-693	3
C68,C69	ELEC. CAPACITOR(220uF/16V,M,TAPING 6*7,MINI)	413-RMX30-883	2
C76-82	ELEC. CAPACITOR(1uF/50V,M,TAPING 4*7,MINI)	413-SPPW3-234	7
C21-26	ELEC. CAPACITOR(22uF/16V,M,TAPING 4*7,MINI)	413-SPPW3-236	6
Q8,Q9	TRANSISTOR(2SD1468 TAPING)	416-3113-009	2
Q1-7	TRANSISTOR(2SA1015/2SA1015-GR,TAPING)	416-KE200X-021	7
R195,R196,R19 7,R198,R199,R2 00	CARBON FILM RESISTOR(5.6K OHM,1/6W,J,T-26)	412-3113-044	6
R218-224	CARBON FILM RESISTOR(100K OHM,1/6W,J,T-26)	412-3113-047	7
R257-259	CARBON FILM RESISTOR(2.2K OHM,1/6W,J,T-26)	412-3113-048	3
R209,R210	CARBON FILM RESISTOR(12K OHM,1/6W,J,T-26)	412-3113-051	2

FRONT BOARD & MIXER PCB ASS'Y PART LIST (RMX-30BPM)

REF. NO.	DESCRIPTION	PART NO.	Q'TY
R84-93	CARBON FILM RESISTOR(39K OHM,1/6W,J,T-26)	412-3113-052	10
R150,R151,R152,R153,R154,R155,R156,R157,R158,R159,R160,R161,R162,R163,R164,R165,R166,R167,R168,R169,R170,R171,R172,R173,R174,R175,R176	CARBON FILM RESISTOR(4.7K OHM,1/6W,J,T-26)	412-3113-055	27
R214-217	CARBON FILM RESISTOR((3.3K OHM,1/6W,J,T-26)	412-3113-057	4
R140,R141,R142,R143,R144,R145,R146,R147,R148,R149,R111,R112,R114,R244	CARBON FILM RESISTOR(220 OHM,1/6W,J,T-26)	412-3113-058	14
R238,R239	CARBON FILM RESISTOR(22K OHM,1/6W,J,T-26)	412-3113-059	2
R251-256	CARBON FILM RESISTOR(120K OHM,1/6W,J,T-26)	412-3113-062	6
R181,R182,R183,R184,R185,R186,R187,R188,R189,R190,R191,R192,R193,R194,R201,R202,R203,R204,R205,R206,R207,R208	CARBON FILM RESISTOR(47K OHM,1/6W,J,T-26)	412-3113-063	22
R49,R50,R51,R52,R53,R55,R56,R57,R58,R60,R61,R62,R63,R64,R65,R66,R67,R68,R69,R70,R71,R72,R73,R74,R75,R76,R78,R79,R80,R81,R82,R83	CARBON FILM RESISTOR(1.2K OHM,1/6W,J,T-26)	412-3113-067	32
R11-48,R1,R2,R5-7,R9	CARBON FILM RESISTOR(10K OHM,1/6W,J,T-26)	412-3113-068	44
R94-98,R212,R213,R245,R246	CARBON FILM RESISTOR(6.8K OHM,1/6W,J,T-26)	412-3113-069	9
R225,R226	CARBON FILM RESISTOR(680 OHM,1/6W,J,T-26)	412-3113-070	2
R116-130,R227,R228	CARBON FILM RESISTOR((2.7K OHM,1/6W,J,T-26)	412-3113-073	17
R229-231	CARBON FILM RESISTOR(1.8K OHM,1/6W,J,T-26)	412-3113-075	3
R103-110	CARBON FILM RESISTOR(1K OHM,1/6W,J,T-26)	412-3113-078	8
R54,R59,R77,R232,R233,R234,R235,R236,R237	CARBON FILM RESISTOR(1.5K OHM,1/6W,J,T-26)	412-D396-135	9
R242,R243	CARBON FILM RESISTOR(68 OHM,1/6W,J,T-26)	412-HP1010K-196	2

FRONT BOARD & MIXER PCB ASS'Y PART LIST (RMX-30BPM)

REF. NO.	DESCRIPTION	PART NO.	Q'TY
R249,R250	CARBON FILM RESISTOR(10 OHM,1/6W,J,T-26)	412-KC220-132	2
R211	CARBON FILM RESISTOR(8.2K OHM,1/6W,J,T-26)	412-KM500-123	1
R178-180	CARBON FILM RESISTOR(56 OHM,1/6W,J,T-26)	412-KT346-113	3
R240,R241	CARBON FILM RESISTOR(33 OHM,1/6W,J,T-26)	412-MPG100-255	2
	MIXER PCB(BARE)	405-RMX30-1298	1
IC11-13	IC(TC4066BFN/BU4066BCF/BU4066BCF-E2.SOP-14)	417-QMX2-190	3
IC16-19	IC(HEF4013BTR,SOP14)	417-RMX30-704	4
	EQ PCB ASS'Y	704-RMXB30-5137	1
CN2	11P 2.5 SOCKET(S11B-XH-A,90°,JST)	404-3433MK2-1817	1
CN1	10P 2.5 SOCKET(S10B-XH-A,90°,JST)	404-BEAT4-1576	1
IC330,IC331	IC SOCKET (20 PIN)	404-DJ2500-791	2
W3	4P2.5 CONNECTOR WIRE(L=220mm,AWM2877 AWG26)	404-HPM11-1583	1
CN6	6P 2.5SOCKET(S6B-XH-A,90°,JST)	404-HV3500K-624	1
CN12-15	3P 2.5SOCKET(S3B-XH-A,90°,JST)	404-KMD3500-609	4
CN11	4P 2.5SOCKET(S4B-XH-A,90°,JST)	404-QMX2-606	1
W200	3P 2.5 CONNECTOR WIRE(L=400mm,AWM2877,AWG26)	404-RMX30-1845	1
CN19	5P 2.5SOCKET(S5B-XH-A,90°,JST)	404-SPPW3-513	1
IC3,IC6,IC8,IC10	IC B1403N OR BA6124 SIP9	417-HT801K-097	4
IC316,IC317,IC325	IC(M51132L)	417-SA12-487	3
W31	6P STRIP PIN HEADER(L=31mm,P=2.54mm,180 DEGREES)	424-HDJ7500-058	1
W4A,W5A	7P 2.54 STRIP PIN HEADER(L=15mm,180°)	424-RMX30-097	2
W16-18	9P STRIP PIN HEADER(L=31mm,P=2.54mm,180 DEGREES)	424-RMX30-098	3
W32-34	5P2.54 STRIP PIN HEADER(L=31mm,180°)	424-T2-073	3
X300,X301	CRYSTAL(12MHz)	427-KMD3500-047	2
IC331	MAIN BPM IC ASS'Y(CHECK SUM:97FC/1.1)	704-M7-4473	1
	IC(P87LPC764BN,DIP-20,OTP)	417-RCC1055-590	1
IC330	VICE BPM IC ASS'Y(CHECK SUM:693B/1.0)	704-M7-4474	1
	IC(P87LPC764BN,DIP-20,OTP)	417-RCC1055-590	1
C552-555	CERAMIC CAPACITOR(33pF/50V,J,TAPING,NPO)	413-3113-029	4
C398,C399,C432,C433,C434,C435,C436,C437,C515,C516	CERAMIC CAPACITOR(220pF/50V,K,TAPING,Y5P)	413-3113-032	10
C544,C549	CERAMIC CAPACITOR(0.1uF/50V,Z,TAPING,Y5V)	413-3113-035	2
C3,C4,C8,C10,C11,C12,C438,C439,C440,C441,C517,C518,C519,C520	ELEC. CAPACITOR(2.2uF/50V,M,TAPING 5*11)	413-3113-045	14
C556,C557	ELEC. CAPACITOR(100uF/10V,M,TAPING 5*11)	413-3113-046	2
C446-453	ELEC. CAPACITOR(0.47uF/50V NP M TAPING)	413-3113-048	8
C522,C523,C528,C529	ELEC. CAPACITOR(1uF/50V,M,TAPING 5*11)	413-3113-049	4

FRONT BOARD & MIXER PCB ASS'Y PART LIST (RMX-30BPM)

REF. NO.	DESCRIPTION	PART NO.	Q'TY
C400-407,C524-526,C442,C443,C521	ELEC. CAPACITOR(4.7uF/50V,M,TAPING 5*11)	413-3113-050	14
C550,C551	POLYESTER CAPACITOR(0.01uF/50V,J,TAPING)	413-3113-057	2
C530-535	POLYESTER CAPACITOR(0.0022uF/50V,J,TAPING)	413-3113-059	6
C300-307,C458-461	POLYESTER CAPACITOR(0.012uF/50V,J,TAPING)	413-3113-060	12
C536-539	CERAMIC CAPACITOR(68pF/50V,J,TAPING,SL)	413-A100-015	4
C348,C349,C350,C351,C352,C353,C354,C356,C357,C355,C358,C359,C360,C361,C362,C363,C364,C365,C366,C367,C388,C389,C390,C391,C497,C498,C499,C500,C501,C502,C503,C504,C505,C506	ELEC. CAPACITOR(10uF/50V,M,TAPING 5*11)	413-DM1000-352	34
C346,C347,C488	ELEC. CAPACITOR(100uF/25V,M,TAPING 6.3*11)	413-HS100-180	3
C408-415,C466-469	POLYESTER CAPACITOR(0.0015uF/50V,J,TAPING)	413-HT7016-219	12
C368-383,C507-514	POLYESTER CAPACITOR(0.0047uF/100V,J,TAPING)	413-HT8015-159	24
C316-323,C470-473	POLYESTER CAPACITOR(0.027uF/50V,J,TAPING)	413-HT8015-161	12
C444,C445,C527	ELEC. CAPACITOR(22uF/16V,M,TAPING 5*11)	413-HT8015-163	3
C308-315,C462-465	POLYESTER CAPACITOR(0.0033uF/100V,J,TAPING)	413-KT300-103	12
C384-387	ELEC. CAPACITOR(47uF/16V,M,TAPING 5*11)	413-KT350-085	4
C416-431,C489-496	POLYESTER CAPACITOR(0.033uF/100V,J,TAPING)	413-KT350-088	24
C540,C542,C543,C545,C546,C547,C548,C541	POLYESTER CAPACITOR(0.1uF/100V,J,TAPING)	413-KT350-089	8
C15,C17,C324,C325,C326,C327,C328,C329,C330,C331,C332,C333,C334,C335,C336,C337,C338,C339,C340,C341,C342,C343,C344,C345,C392,C393,C394,C395,C396,C397,C474,C475,C476,C477,C478,C479,C480,C481,C482,C483,C484,C4	ELEC.CAPACITOR(100uF/16V,M,TAPING 5*11)	413-PXE90-109	44

85,C486,C487			
--------------	--	--	--

FRONT BOARD & MIXER PCB ASS'Y PART LIST (RMX-30BPM)

REF. NO.	DESCRIPTION	PART NO.	Q'TY
Q306,Q308-313	TRANSISTOR(2SA933SR TAPING OR 2SA608G)	416-3113-008	7
R581,R411,R412,R413,R414,R415,R416,R417,R418,R419,R420,R600-607	CARBON FILM RESISTOR(5.6K OHM,1/6W,J,T-26)	412-3113-044	19
R300,R301,R302,R303,R304,R305,R306,R307,R308,R309,R310,R311,R312,R313,R314,R315,R494,R495,R496,R497,R498,R499,R500,R501	CARBON FILM RESISTOR(33K OHM,1/6W,J,T-26)	412-3113-045	24
R455-459,R608-613	CARBON FILM RESISTOR(100K OHM,1/6W,J,T-26)	412-3113-047	11
R392,R396-398,R402-404,R406,R576,R577,R579,R580	CARBON FILM RESISTOR(2.2K OHM,1/6W,J,T-26)	412-3113-048	12
R371,R372,R375,R378,R380,R382,R384,R386,R566,R568,R570,R572,R573,R574,R439,R440,R441,R442,R443,R444,R445,R446,R555,R556,R557,R565	CARBON FILM RESISTOR(12K OHM,1/6W,J,T-26)	412-3113-051	26
R637-640	CARBON FILM RESISTOR(39K OHM,1/6W,J,T-26)	412-3113-052	4
R373,R374,R376,R379,R381,R383,R385,R567,R569,R571,R559,R560,R377,R554	CARBON FILM RESISTOR((27K OHM,1/6W,J,T-26)	412-3113-054	14
R626,R628	CARBON FILM RESISTOR(4.7K OHM,1/6W,J,T-26)	412-3113-055	2
R629-632	CARBON FILM RESISTOR(470 OHM,1/6W,J,T-26)	412-3113-056	4
R407-410,R393,R394,R399,R400	CARBON FILM RESISTOR((3.3K OHM,1/6W,J,T-26)	412-3113-057	8
R113,R115,R318,R319,R320,R321,R322,R323,R324,R325,R326,R327,R328,R329,R330,R331,R332,R333,R334,R335,R336,R337,	CARBON FILM RESISTOR(220 OHM,1/6W,J,T-26)	412-3113-058	54

R338,R339,R340,R341,R342,R343,R344,R345,R346,R347,R512,R513,R514,R515,R516,R517,R518,R519,R520,R521,R522,R523,R524,R525,R526,R531,R535,R536,R537,R538,R539,R540			
R421,R422,R423,R424,R425,R426,R427,R428,R429,R430,R431,R432,R433,R434,R435,R436,R437,R438,R502,R503,R504,R505,R506,R507,R508,R509,R510,R511,R478,R479,R480,R481,R468,R469	CARBON FILM RESISTOR((18K OHM,1/6W,J,T-26)	412-3113-061	34
R348,R349,R350,R351,R352,R353,R354,R355,R356,R357,R358,R359,R360,R543,R544,R545,R546,R547,R548,R549,R550	CARBON FILM RESISTOR((47K OHM,1/6W,J,T-26)	412-3113-063	21
R3,R4,R8,R10,R448,R450,R583,R597,R471,R473,R476,R474,R584,R585,R586,R587,R588,R589,R590,R591,R592,R593,R594,R595,R596	CARBON FILM RESISTOR(10K OHM,1/6W,J,T-26)	412-3113-068	25
R361,R362,R363,R364,R365,R366,R367,R368,R561,R562,R563,R564	CARBON FILM RESISTOR(6.8K OHM,1/6W,J,T-26)	412-3113-069	12
R464,R465,R466,R467,R614,R616,R617,R618,R101,R102,R391,R395,R401,R405,R575,R578	CARBON FILM RESISTOR(1K OHM,1/6W,J,T-26)	412-3113-078	16
R633-636	CARBON FILM RESISTOR(1M OHM,1/6W,J,T-26)	412-3113-079	4
R451-454,R598,R599	CARBON FILM RSISTOR(11K OHM,1/6W,J,T-26)	412-DCM370E3-436	6
R621-625	CARBON FILM RESISTOR(30K OHM,1/6W,J,T-26)	412-DV300-291	5
R99,R100	CARBON FILM RESISTOR(6.2K OHM,1/6W,J,T-26)	412-HV3363K-349	2

FRONT BOARD & MIXER PCB ASS'Y PART LIST (RMX-30BPM)

REF. NO.	DESCRIPTION	PART NO.	Q'TY
R484-487	CARBON FILM RESISTOR(36K OHM,1/6W,J,T-26)	412-HV3363K-351	4
R527-530,R532-534	CARBON FILM RESISTOR(330 OHM,1/6W,J,T-26)	412-KM300-118	7
R619,R620	CARBON FILM RESISTOR(3.9K OHM,1/6W,J,T-26)	412-KT300-107	2
D303-310	SWITCHING DIODE(1SS132/1SS133,300mw,55V,T-77)	414-3113-005	8
L300,L301	INDUCTOR(10uH,AL0204ST-100K-S-A,TAPING)	415-HMD5000-097	2
	EQ PCB(BARE)	405-RMX30-1295	1
IC308,IC309	IC(TC4053BFN/BU4053CF-E2/BU4053BCF,SOP-16)	417-2422MK2-695	2
IC328,IC329	IC(BA10393F/BA10393FE2,SOP-8)	417-DV330-197	2
IC300-307,IC319-322	IC(NJM-2060V-TE1,SMD)	417-PRO1000-502	12
IC326,IC327	IC(NJM-2058V-TE1,SSOP-14)	417-QMX1-179	2
IC310-315,IC323	IC(BA15218F/BA15218FE2,SOP-8)	417-QMX2-167	7

OUTPUT PCB ASS'Y PART LIST

REF. NO.	DESCRIPTION	PART NO.	Q'TY
	OUTPUT PCB ASS'Y	704-RMX30-5125	1
	BRACKET(L TYPE)	300-HDJ7000-472	2
SW500,SW501, SW502	SLIDE SW(SSSF122NA1-HF,6PIN)	403-QMX1-060	3
W404	5P2.5 CONNECTOR WIRE(L=140mm,AWM2877 AWG26)	404-BEAT4-1605	1
CN22	10P SOCKET(B10B-XH-A,P=2.5mm)	404-HDJ7100-761	1
IC509	3P2.5 CONNECTOR WIRE(L=140mm,AWM1007,AWG26,BLUE)	404-HPM6-1680A	1
IC510	3P2.5 CONNECTOR WIRE(L=100mm,AWM1007 AWG26)	404-HPM6-1681	1
CN7,CN8,CN9	5P SOCKET(B5B-XH-A,P=2.5mm,JST,180 DEGREE)	404-HV3500K-622	3
CN200	3P SOCKET(B3B-XH-A,P=2.5mm,JST,180 DEGREE)	404-HV3500K-623	1
CN3	4P SOCKET(B4B-XH-A,P=2.5mm,JST,180 DEGREE)	404-HV3500K-629	1
CN400	2P SOCKET(B2B-XH-A,P=2.5mm,JST,180 DEGREE)	404-KMD1500-608	1
IC511	3P CONNECTOR WIRE(L=195mm,AWM1007 AWG26,P=2.5mm)	404-QSPAND-1176	1
C591,C592	ELEC. CAPACITOR(1000uF/35V,M,BULK 13*21)	413-DJ1900-110	2
C593	ELEC. CAPACITOR(1000uF/25V,M,BULK 10*20)	413-DJ1900-111	1
C598,C599	ELEC. CAPACITOR(1000uF/16V,M,BULK 10*16)	413-F202-001	2
IC500-507	IC(BA15218,DIP-8)	417-AK4-644	8
JK506	DC POWER JACK(6.3,DJ-0702B-025)	420-CDMIX1-078	1
JK503	6P RCA JACK(RJ-1074-09-0300A)	420-HMJ1901-5037	1
JK500-502	4P RCA JACK(RJ-1073-09-0300A)	420-QMX1-094	3
	SCREW(3*5 P=0.5)	602-B300-041	2
C608,C609	CERAMIC CAPACITOR(220pF/50V,K,TAPING,Y5P)	413-3113-032	2
C594,C595,C59 6	CERAMIC CAPACITOR(0.1uF/50V,Z,TAPING,Y5V)	413-3113-035	3
C500,C501,C50 2,C503,C504,C5 05,C506,C507,C 508,C509,C510, C511,C512,C51 3,C514,C515	ELEC. CAPACITOR(2.2uF/50V,M,TAPING 5*11)	413-3113-045	16
C516,C517,C51 8,C519,C520,C5 21	ELEC. CAPACITOR(100uF/10V,M,TAPING 5*11)	413-3113-046	6
C600,C601,C60 2,C603,C604	CERAMIC CAPACITOR(0.022uF/50V,Z,TAPING,Z5V)	413-501-105	5
C528,C529,C53 0,C531,C532,C5 33,C534,C535,C 536,C537,C538, C539,C540,C54 1,C542,C543,C5 48,C549	ELEC. CAPACITOR(10uF/50V,M,TAPING 5*11)	413-DM1000-352	18
C606	ELEC. CAPACITOR(100uF/25V,M,TAPING 6.3*11)	413-HS100-180	1
C522,C523,C52 4,C525,C526,C5 27	CERAMIC CAPACITOR(680pF/50V,K,TAPING,Y5P)	413-HT8015-155	6
C550,C551,C55 2,C553,C554,C5 55	POLYESTER CAPACITOR(0.0082uF/50V,J,TAPING)	413-HT8015-160	6
C556,C557,C55 8,C559,C560,C5 61	POLYESTER CAPACITOR(0.027uF/50V,J,TAPING)	413-HT8015-161	6

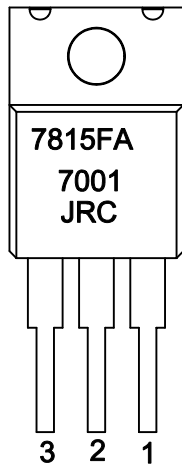
OUTPUT PCB ASS'Y PART LIST

REF. NO.	DESCRIPTION	PART NO.	Q'TY
C580,C581,C582,C583	CERAMIC CAPACITOR(330pF/50V,K,TAPING,Y5P)	413-KC220-116	4
C597	ELEC. CAPACITOR(220uF/10V,M,TAPING 6.3*11)	413-KC220-119	1
C589,C590	ELEC. CAPACITOR(220uF/16V,M,TAPING 6*11)	413-KT300-102	2
C607	ELEC. CAPACITOR(47uF/16V,M,TAPING 5*11)	413-KT350-085	1
C610,C611,C612,C613,C614,C615	CERAMIC CAPACITOR((100pF/50V,J,TAPING,SL)	413-PXE90-107	6
C562,C563,C564,C565,C566,C567,C568,C569,C570,C571,C572,C573,C574,C575,C576,C577	ELEC.CAPACITOR(100uF/16V,M,TAPING 5*11)	413-PXE90-109	16
Q500,Q501,Q502,Q503,Q505,Q506,Q507,Q508	TRANSISTOR(2SC2878-B(TE2.M)	416-AMC110A-5017	8
Q504	TRANSISTOR(2SA1015/2SA1015-GR,TAPING)	416-KE200X-021	1
	I/O PCB(BARE)	405-RMX30-1293	1
R601,R602,R603,R604,R609	CARBON FILM RESISTOR(100K OHM,1/6W,J,T-26)	412-3113-047	5
R506,R507,R508,R509,R510,R511,R512,R513,R514,R515,R516,R517,R518,R519,R520,R521,R522,R523,R524,R525,R526,R527	CARBON FILM RESISTOR(220 OHM,1/6W,J,T-26)	412-3113-058	22
R530,R531,R532,R533,R534,R535,R536,R537,R538,R539,R540,R541,R619,	CARBON FILM RESISTOR(22K OHM,1/6W,J,T-26)	412-3113-059	13
R500,R501,R502,R503,R504,R505	CARBON FILM RESISTOR(100 OHM,1/6W,J,T-26)	412-3113-060	6
R552,R553,R554,R555,R556,R557	CARBON FILM RESISTOR(120K OHM,1/6W,J,T-26)	412-3113-062	6
R558-581	CARBON FILM RESISTOR((47K OHM,1/6W,J,T-26)	412-3113-063	24
R607,R608,R610	CARBON FILM RESISTOR(10K OHM,1/6W,J,T-26)	412-3113-068	3
R620	CARBON FILM RESISTOR((2.7K OHM,1/6W,J,T-26)	412-3113-073	1
R584-596,R623-626	CARBON FILM RESISTOR(1K OHM,1/6W,J,T-26)	412-3113-078	17
R597,R598,R599,R600	CARBON FILM RESISTOR(1.5K OHM,1/6W,J,T-26)	412-D396-135	4
R582,R583	CARBON FILM RESISTOR(3.6K OHM,1/6W,J,T-26)	412-HV3363K-348	2
R542,R543,R544,R545,R546,R547,R548,R549,R550,R551,R621,R622,R627,R628	CARBON FILM RESISTOR(8.2K OHM,1/6W,J,T-26)	412-KM500-123	14

OUTPUT PCB ASS'Y PART LIST

REF. NO.	DESCRIPTION	PART NO.	Q'TY
D507	SWITCHING DIODE(1SS132/1SS133,300mw,55V,T-77)	414-3113-005	1
D500,D501,D502,D503,D504,D505	DIODE(1N4002/1N4002TA,1A/100V,TAPING)	414-DV300-5014	6
D506	ZENER DIODE(MTZJ5.6-B,1/2W,T-77)	414-HT8033-032	1
D508	ZENER DIODE(MTZJ10-B,1/2W,T-77)	414-SPPW3-061	1

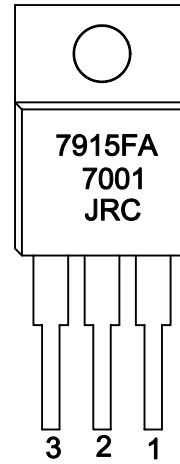
IC BLOCK DIAGRAM



417-DV330-216

7815FA

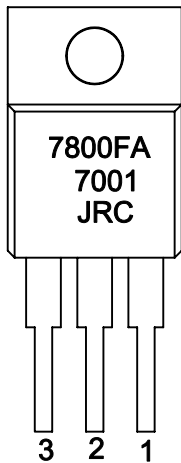
- 1. OUTPUT
- 2. COMMON
- 3. INPUT



417-RCC955A-291

NJM7915FA

- 1. OUTPUT
- 2. INPUT
- 3. COMMON

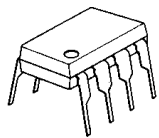


417-KC730-123

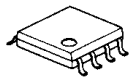
NJM7800FA

- 1. OUTPUT
- 2. COMMON
- 3. INPUT

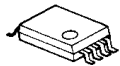
IC BLOCK DIAGRAM



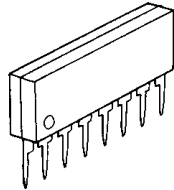
NJM4556AD



NJM4556AM



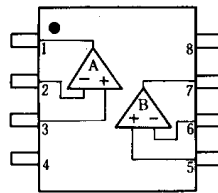
NJM4556AV



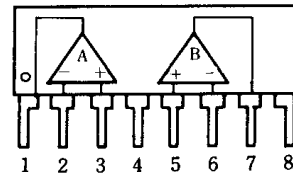
NJM4556AL

417-3113-018
NJM-4556AD

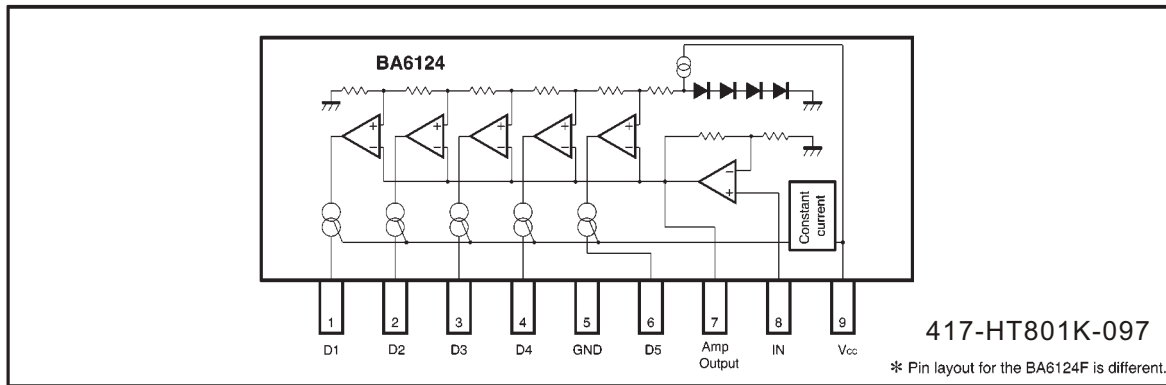
D, M, Vタイプ
(Top View)



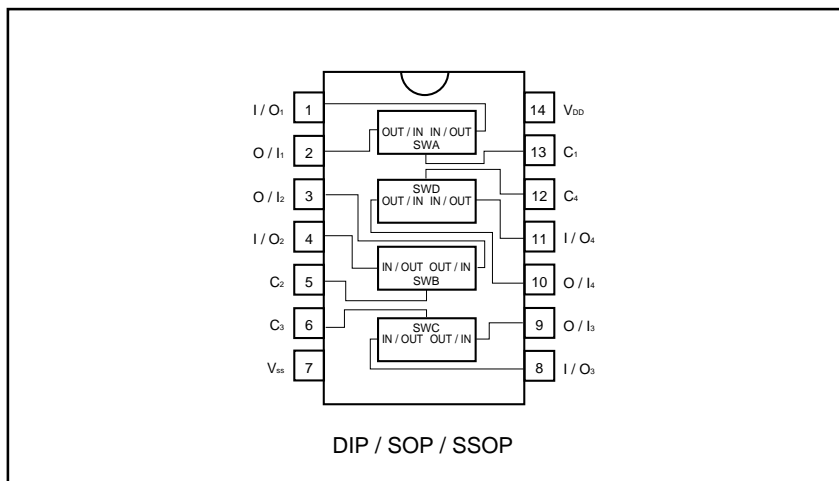
Lタイプ



- ピン配置
1. A OUTPUT
 2. A-INPUT
 3. A+INPUT
 4. V-
 5. B+INPUT
 6. B-INPUT
 7. B OUTPUT
 8. V+

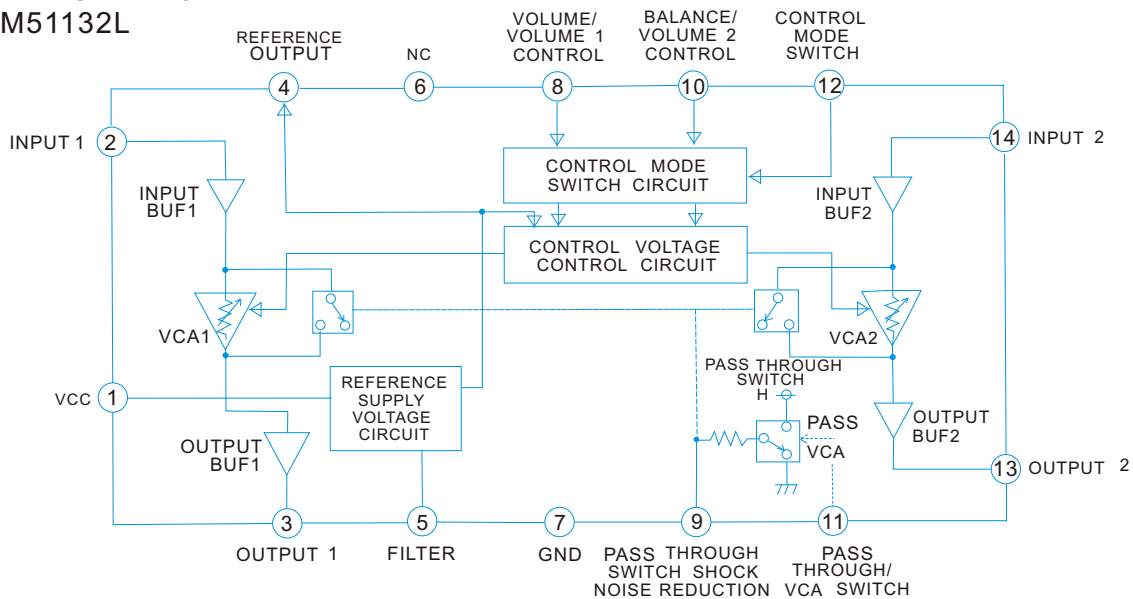


417-QMX2-190
● BU4066BCF

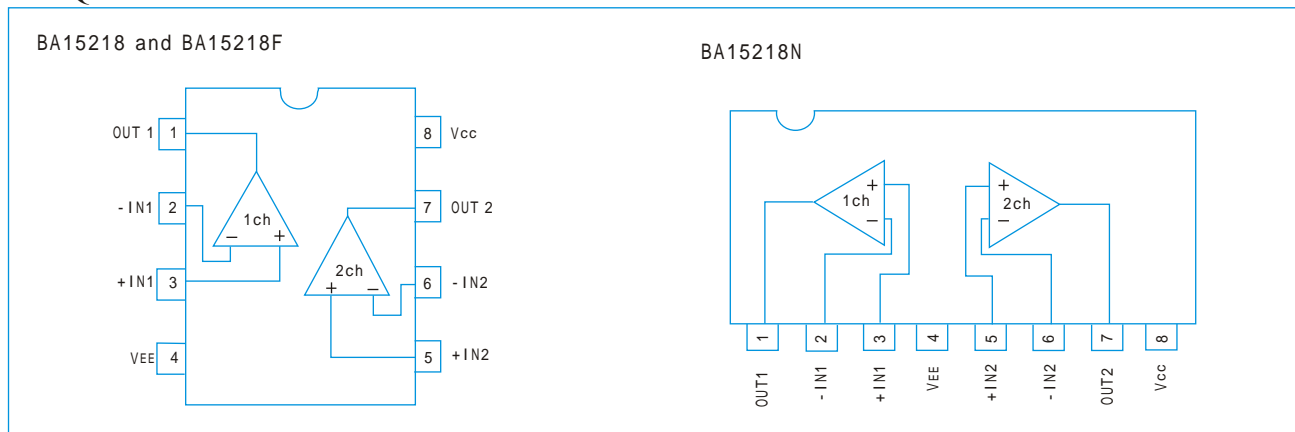


IC BLOCK DIAGRAM

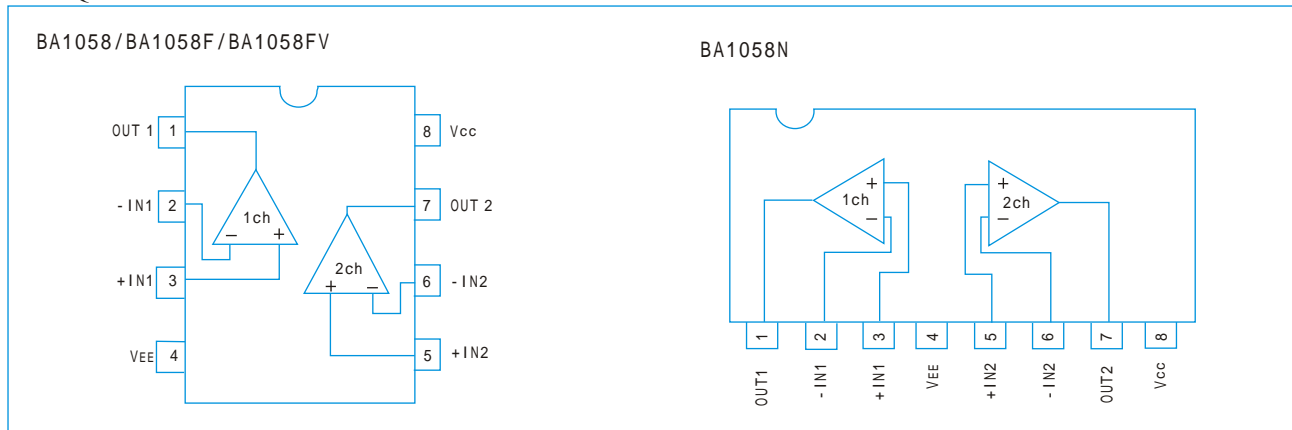
417-SA12-487
M51132L



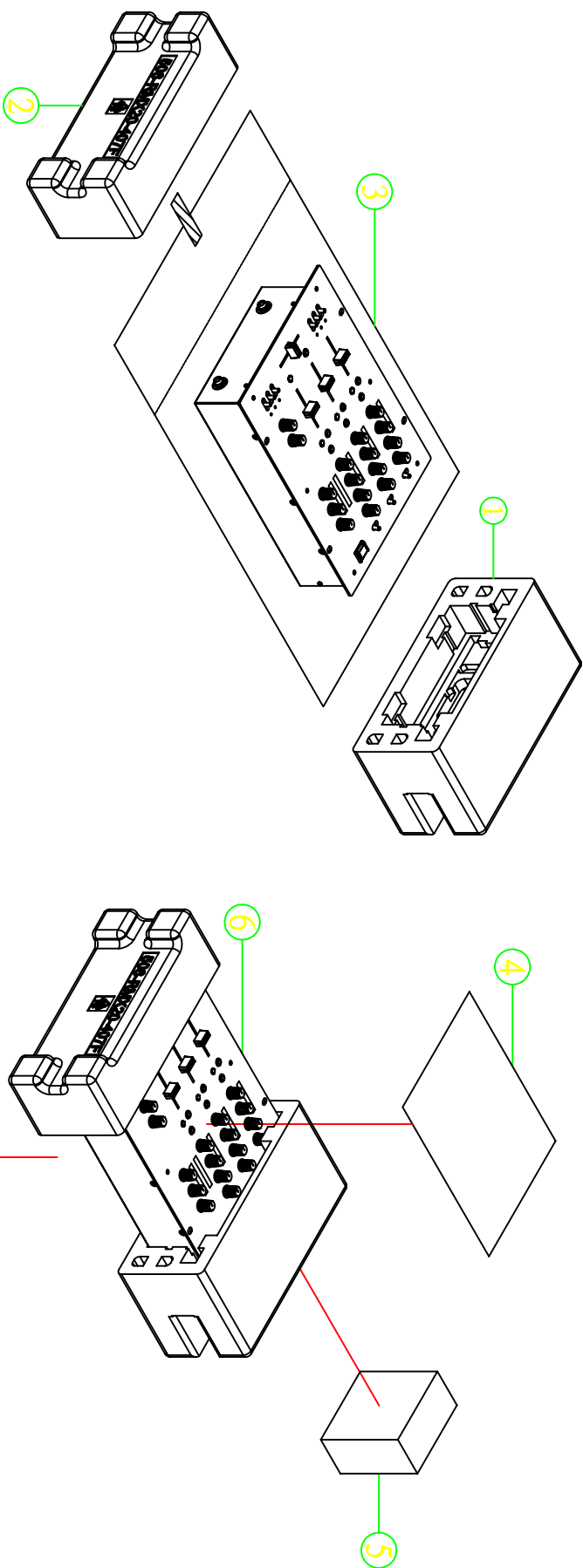
417-QMX2-167



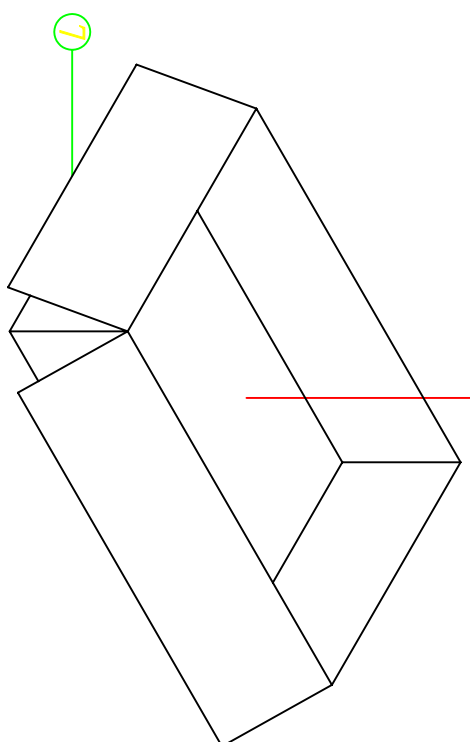
417-QD5-505



PACKAGE VIEW



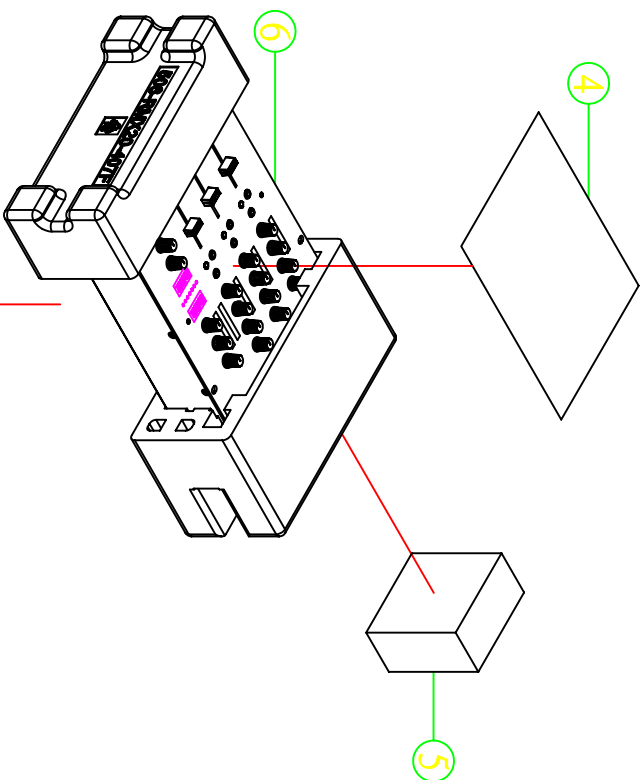
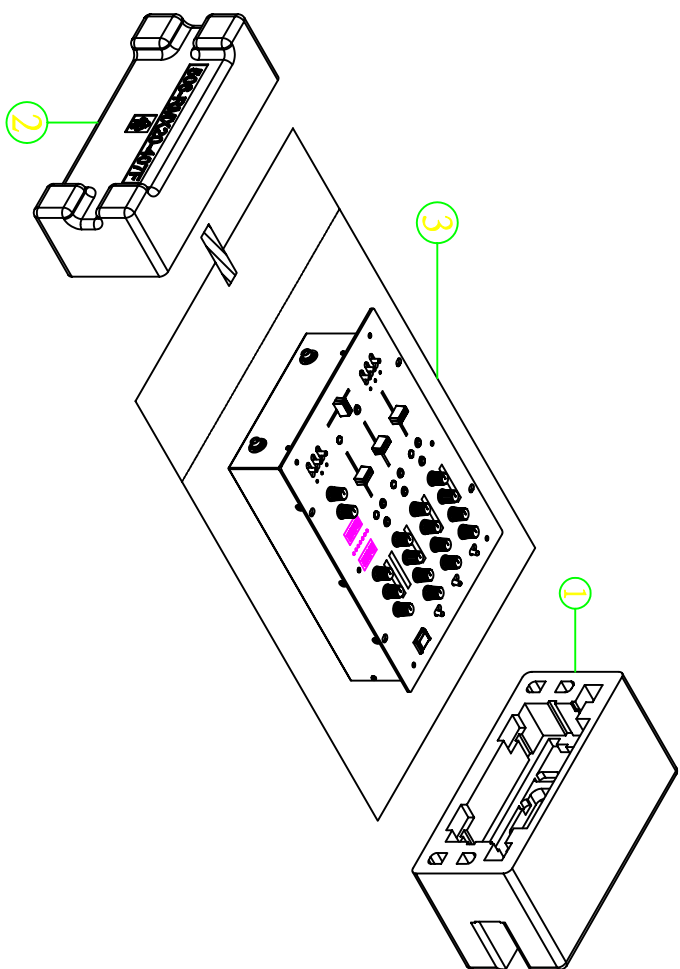
REF. NO.	DESCRIPTION	PART NO.	Q'TY
1	POLYFOAM B	506-RMX20-407B	1
2	POLYFOAM F	506-RMX20-407F	1
3	SOFT BAG	509-SA12-121	1
4	I/B ASS'Y	701-RMX30A-3325	1
5	TRANSFORMER	411-RMX20-373	1
6	UNIT	RMX-30	1
7	GIFT BOX	507-RMX30A-2386	1



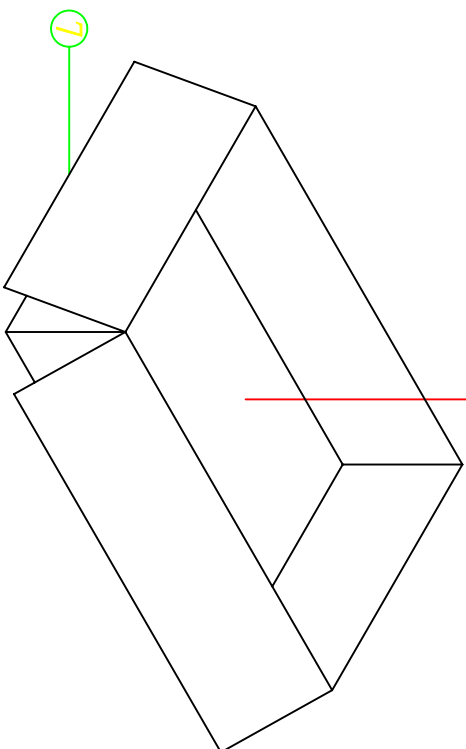
RMX-30A

1=10

PACKAGE VIEW

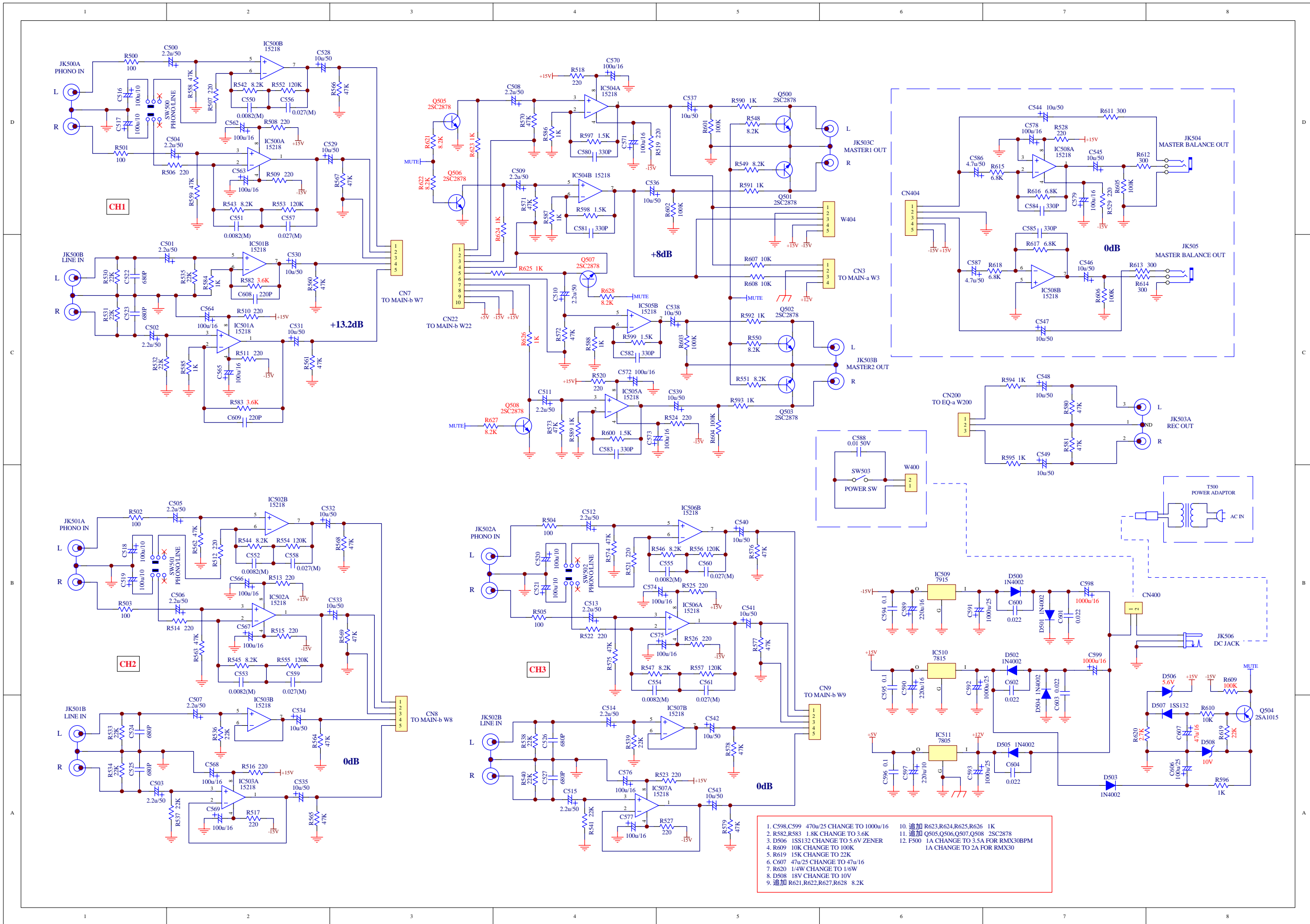


REF. NO.	DESCRIPTION	PART NO.	Q'TY
1	POLYFOAM B	506-RMX20-407B	1
2	POLYFOAM F	506-RMX20-407F	1
3	SOFT BAG	509-SA12-121	1
4	I/B ASS'Y	701-RMXB30A-3327	1
5	TRANSFORMER	411-RMX20-373	1
6	UNIT	RMX-30BPM	1
7	GIFT BOX	507-RMXB30A-2386	1

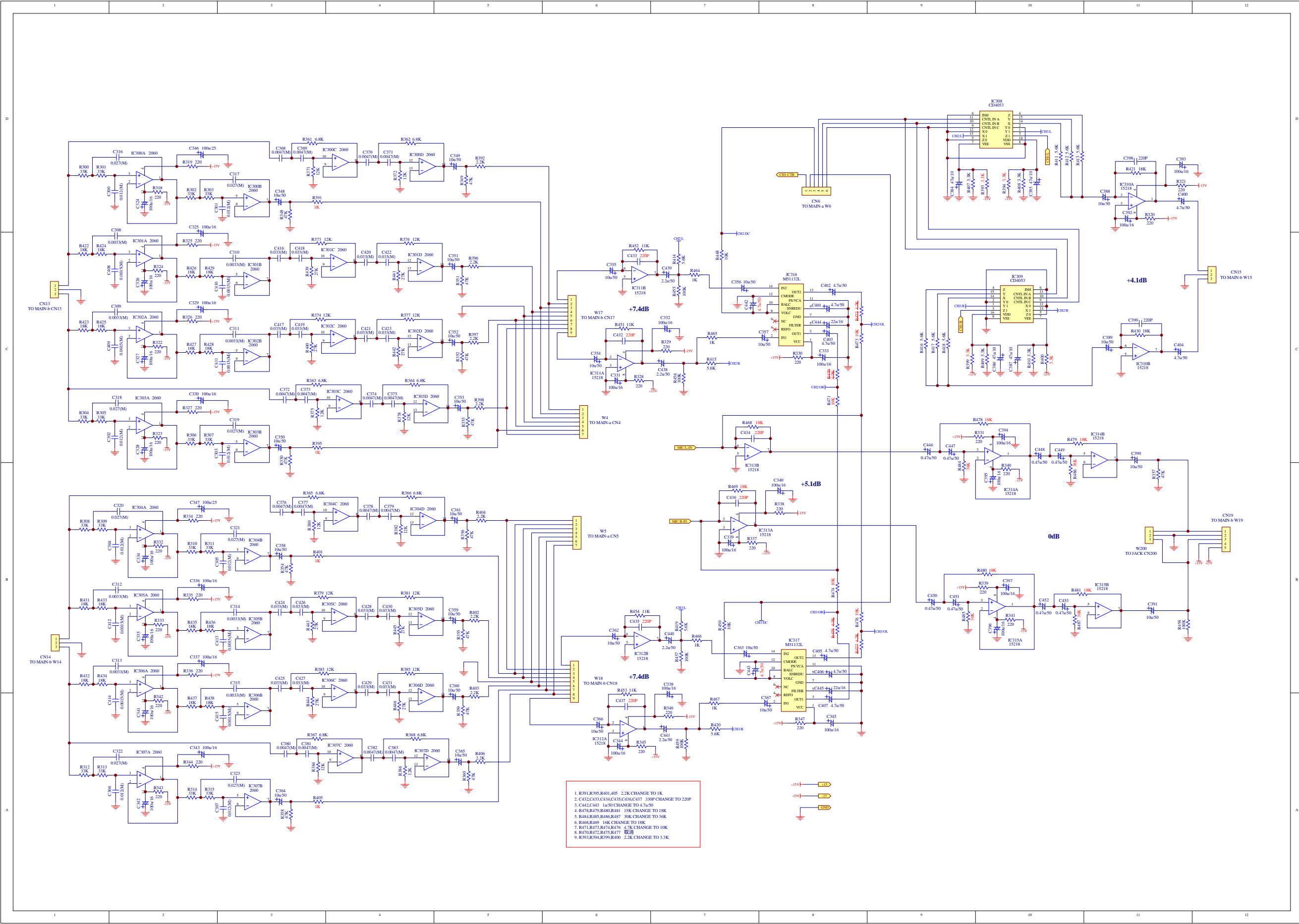


RMXB-30A

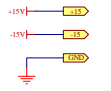
1=8

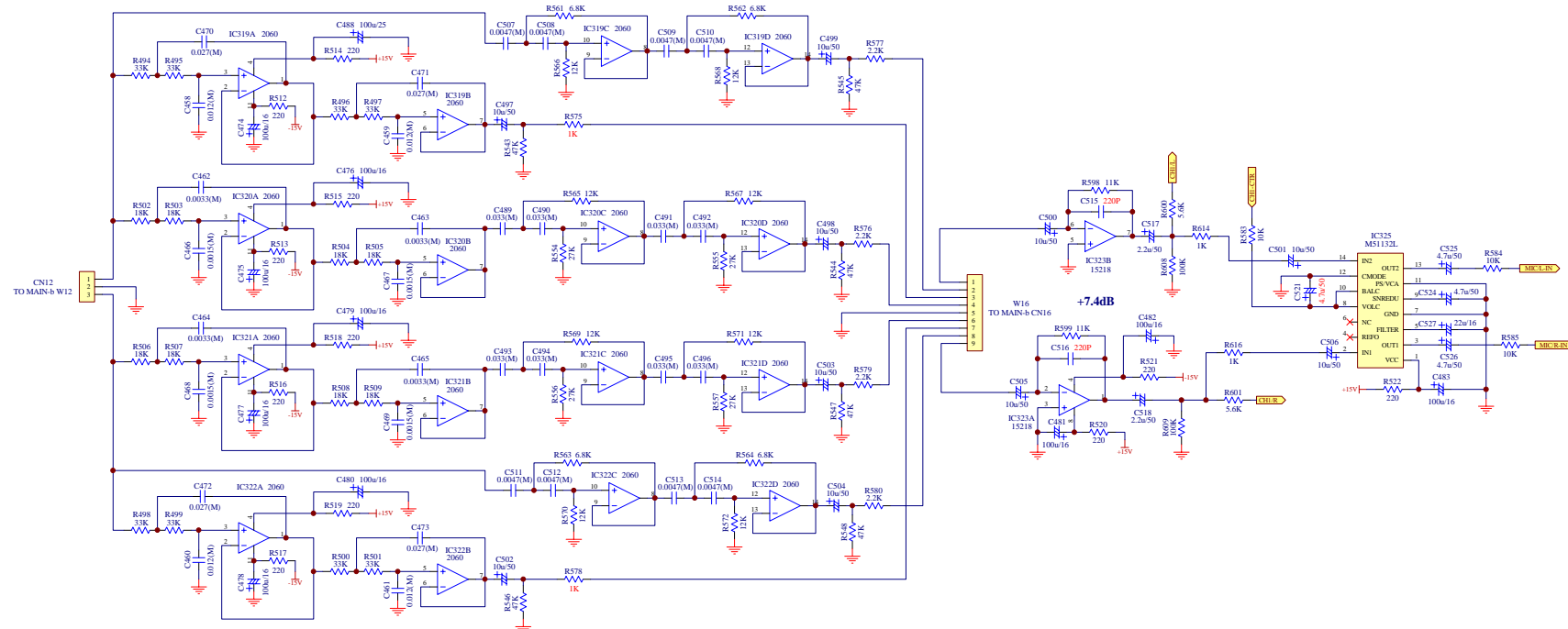


1. C598,C599 470u/25 CHANGE TO 1000u/16
2. R582,R583 1.8K CHANGE TO 3.6K
3. D506 1SS132 CHANGE TO 5.6V ZENER
4. R609 10K CHANGE TO 100K
5. R619 15K CHANGE TO 22K
6. C607 47u/25 CHANGE TO 47u/16
7. R620 1/4W CHANGE TO 1/6W
8. D508 18V CHANGE TO 10V
9. 追加 R623,R624,R625,R626 1K
10. 追加 Q505,Q506,Q507,Q508 2SC2878
11. 追加 Q509 1A CHANGE TO 3.5A FOR RMX30BPM
12. F500 1A CHANGE TO 2A FOR RMX30

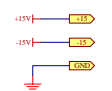
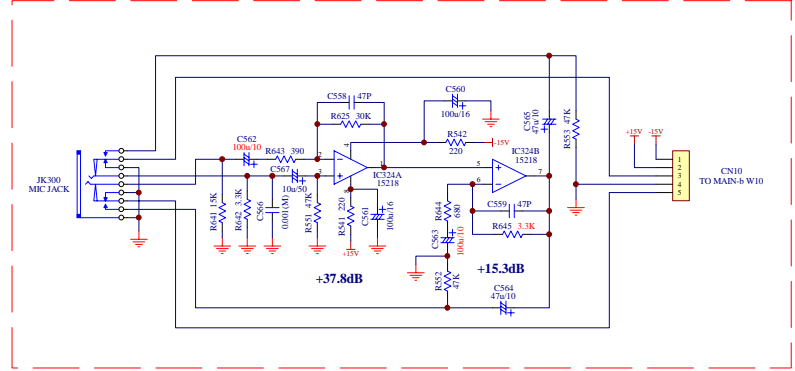
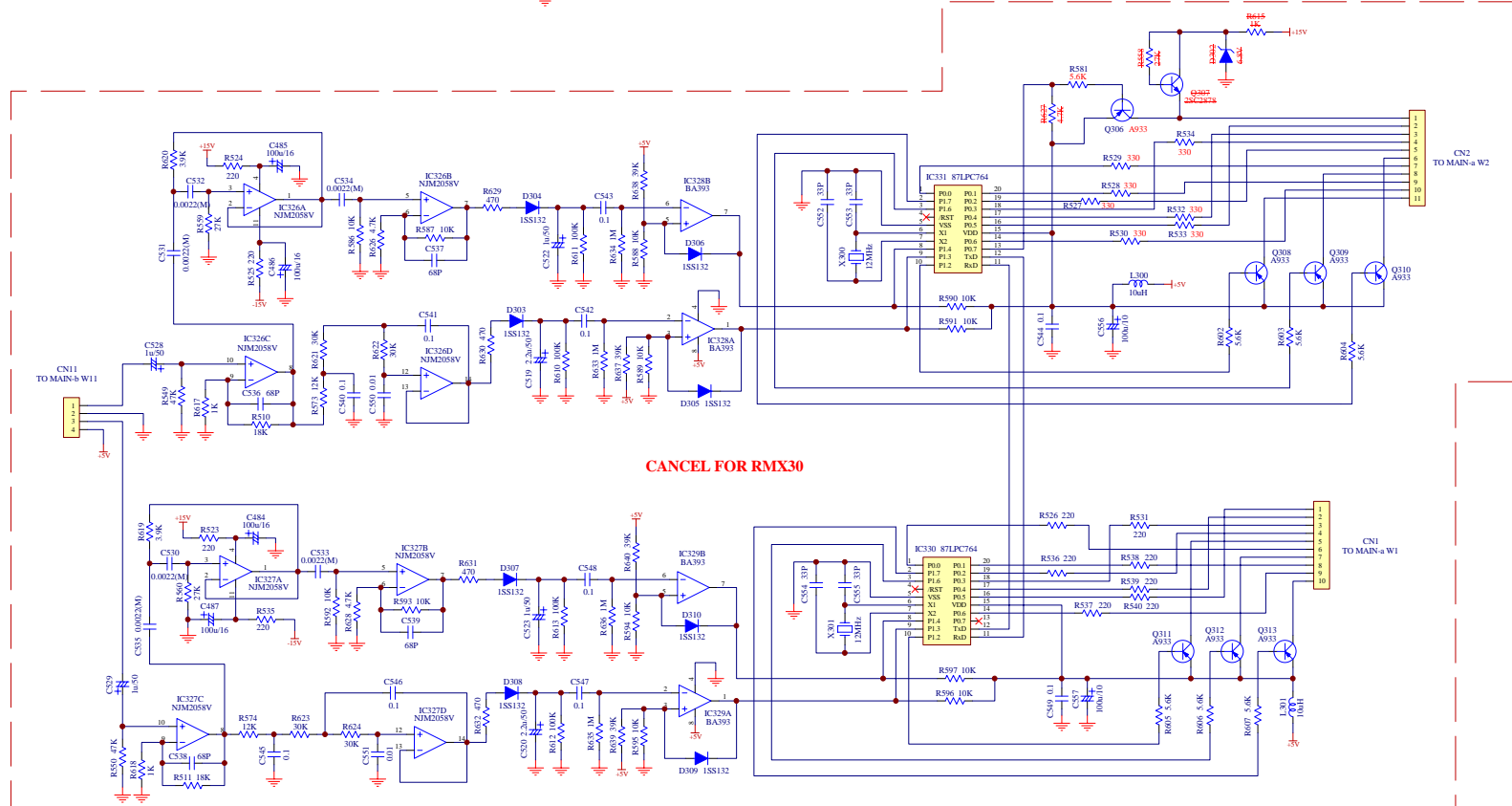


1. R391,R395,R401,405 2.2K CHANGE TO 1K
2. C432,C433,C434,C435,C436,C437 38P CHANGE TO 220P
3. C442,C443 1u50 CHANGE TO 4.7u50
4. R478,R479,R480,R481 15K CHANGE TO 18K
5. R484,R485,R486,R487 50K CHANGE TO 50K
6. R468,R469 16K CHANGE TO 18K
7. R471,R472,R473,R474 4.7K CHANGE TO 10K
8. R475,R476,R477 500R
9. R393,R394,R399,R400 2.2K CHANGE TO 3.3K

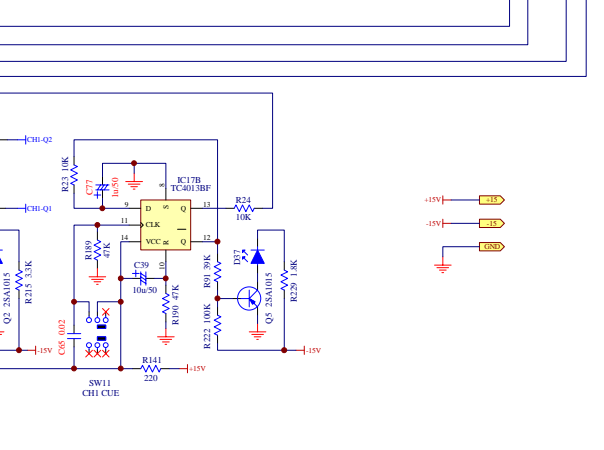
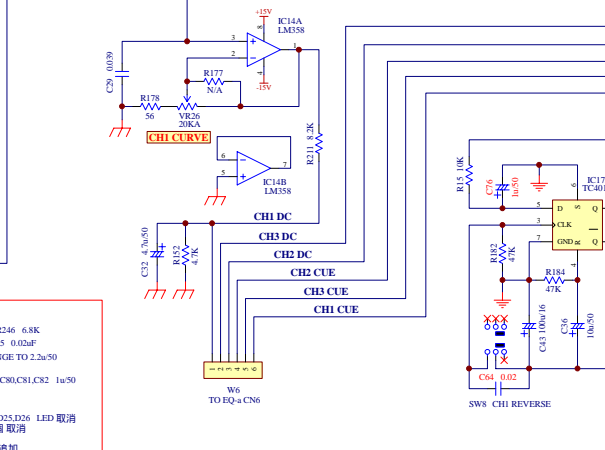
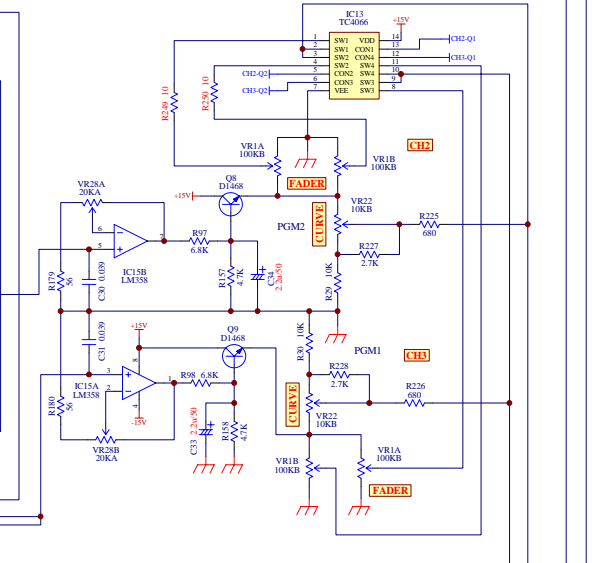
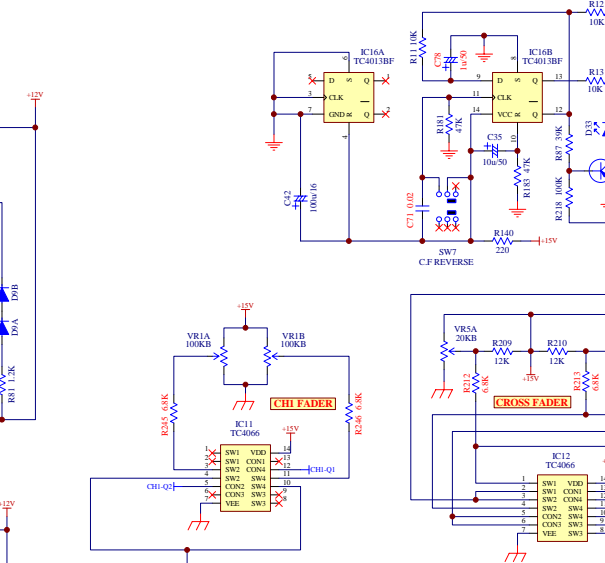
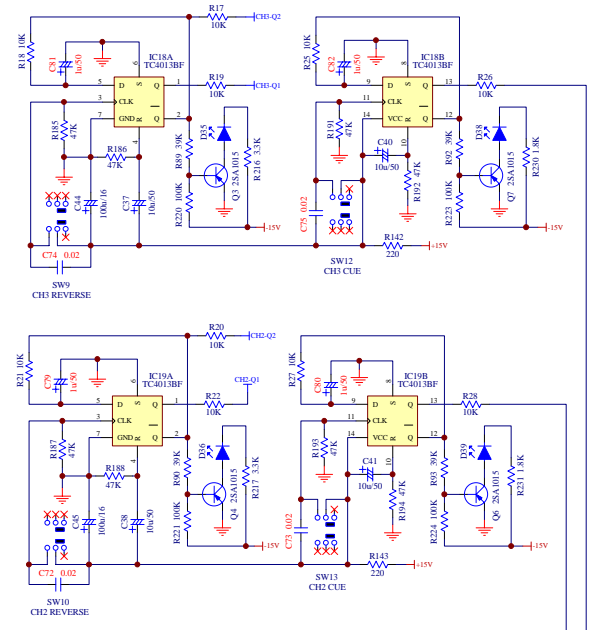
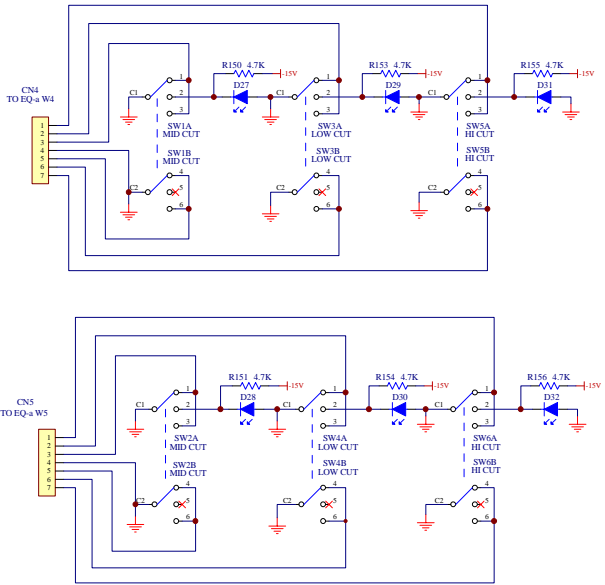
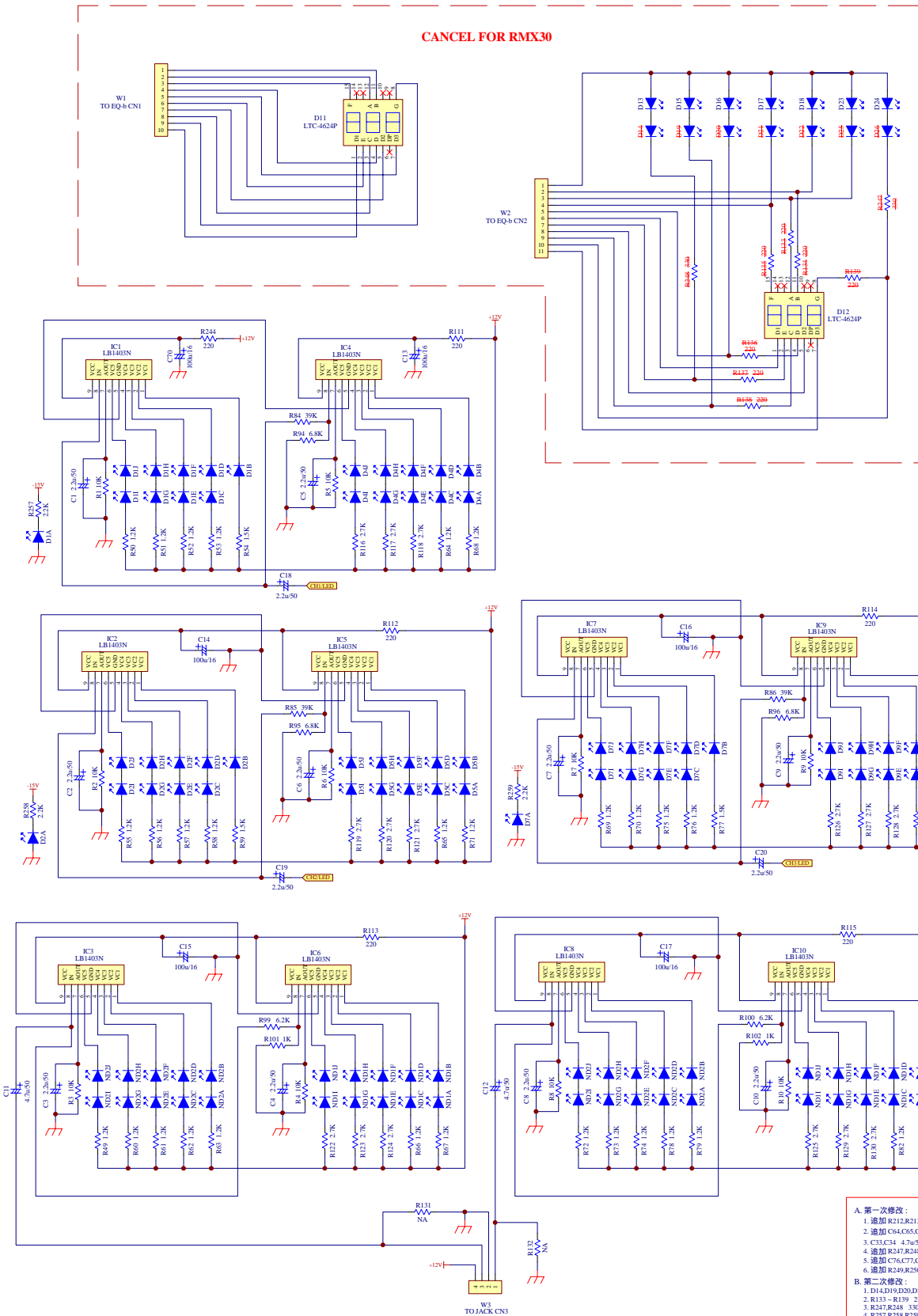




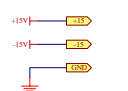
- A. 第一次修改:**
1. R575, R578 2.2K CHANGE TO 1K
 2. C515, C516 100P CHANGE TO 220P
 3. C521 1u50 CHANGE TO 4.7u50
 4. C562, C563 47u10 CHANGE TO 100u10
 5. R643 1.8K CHANGE TO 3.3K
- B. 第二次修改:**
1. Q307 28C2878 取消
 2. Q306 28C2878 CHANGE TO A933
 3. R615 1K 取消
 4. D302 5.6V ZENER DIODE 取消
 5. R558 27K 取消
 6. R527 47K 取消
 7. R581 2.2K CHANGE TO 5.6K
 8. R527, R528, R529, R530, R532, R533, R534 220 CHANGE TO 330

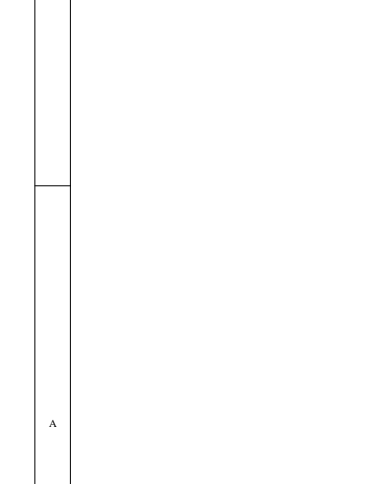
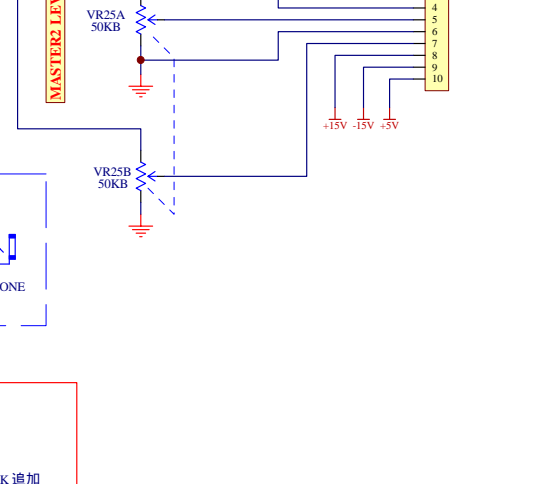
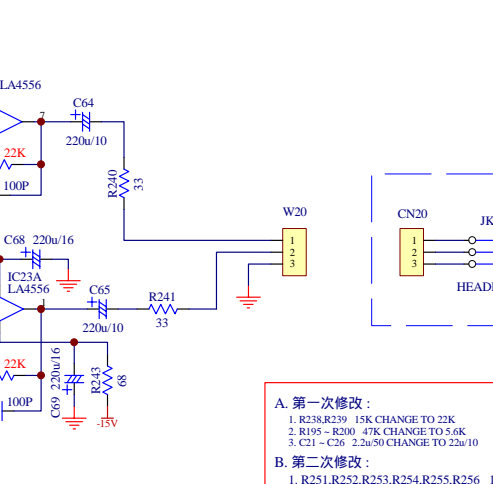
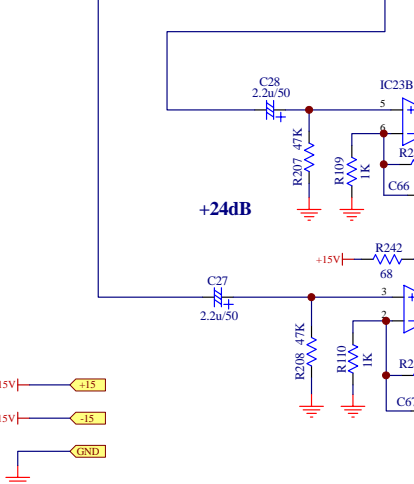
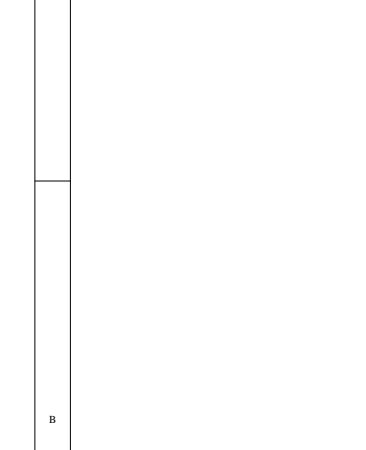
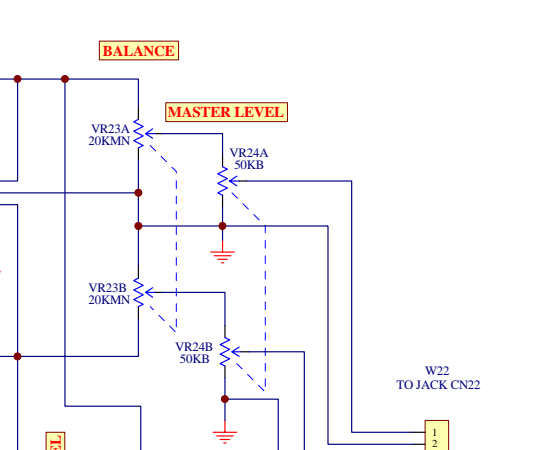
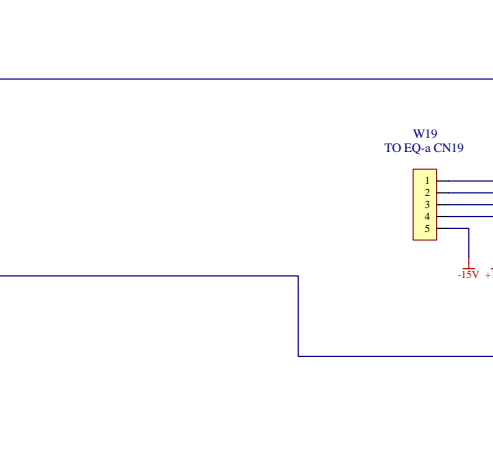
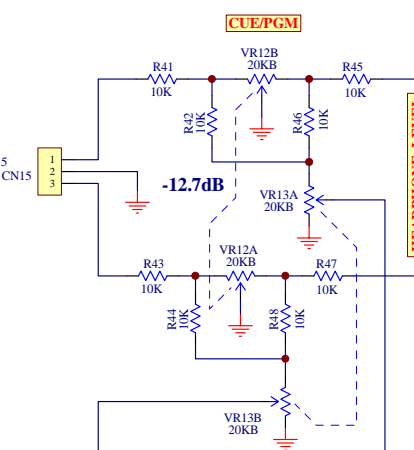
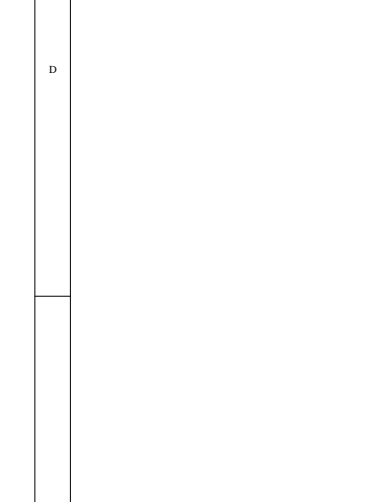
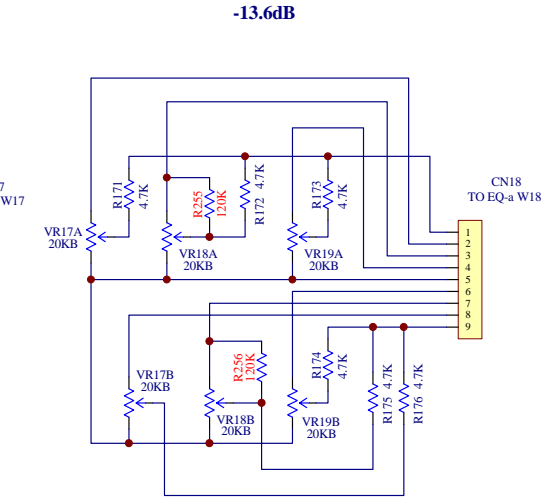
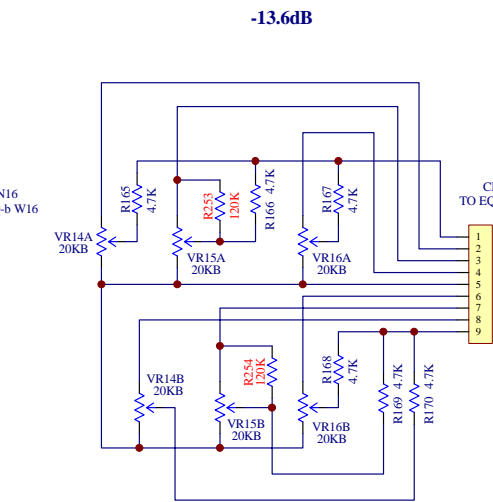
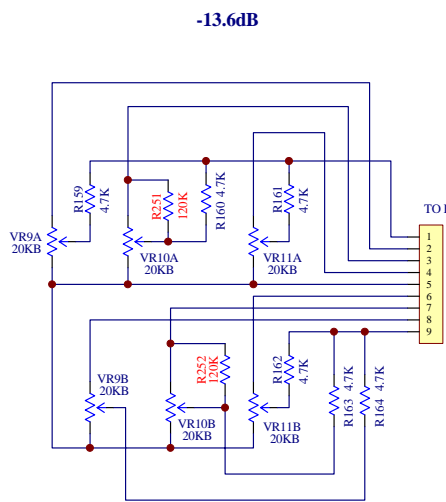
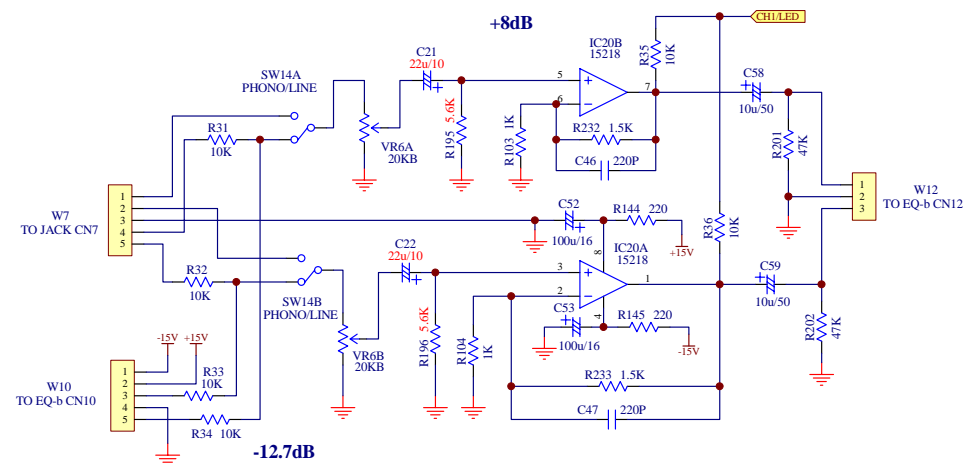


CANCEL FOR RMX30



- A. 第一次修改:
1. 漏加 R212 R213 R244 R246 6.8K
 2. 漏加 IC16 IC17 C75 C76
 3. C33, C34 4.7u50 CHANGE TO 2.2u50
 4. 漏加 R247 R248 330
 5. 漏加 C16 C17 C18 C19 C20 C21 C22
 6. 漏加 R249 R250 10
- B. 第二次修改:
1. D14 D19 D20 D21 D22 D23 D24 LED 取消
 2. R113 - R119 120 取消
 3. R247 R248 330 取消
 4. R251 R252 R259 2.2k 漏加
 5. R249 R250 10k CHANGE TO 1.5k





A. 第一次修改：
 1. R238, R239 15K CHANGE TO 22K
 2. R195 - R209 47K CHANGE TO 5.6K
 3. C21 - C26 2.2u/50 CHANGE TO 22u/10

B. 第二次修改：
 1. R251, R252, R253, R254, R255, R256 120K 追加